

# ETRI®

## AC Axial Fans

10/2008

We are proud to form a part of the ROSENBERG family:



Rosenberg Ventilatoren GmbH  
Künzelsau, Germany



ECOFIT S.A.  
Vendôme, France

- Technical Expertise & Application Engineering
- Outstanding Customer Service
- Design Flexibility & Custom Fan/Motor Equipment
- Stock Fans for Immediate Shipment
- Full Line of Accessory Products & Controls
- Value Added Fabrication

## Contents

### Page

#### AC Axial Fans

Catalogue data	1
Ø 80 x 25 mm	2
80 x 80 x 38 mm	3
92 x 92 x 25 mm	4
92 x 92 x 38 mm	5
120 x 120 x 25 mm	6/9
120 x 120 x 38 mm	10
172 x 150 x 38 mm	11
Ø 172 x 50 mm	
Technical guide	

The following data tables give the main characteristics of our standard fans ; for detailed information or specific request, call our local sales team.

*Les tableaux suivants indiquent les caractéristiques principales de nos ventilateurs standards ; pour des informations plus détaillées ou des demandes spécifiques, contactez nos équipes techniques et commerciales.*

Visit ETRI on line at :  
[www.etrinet.com](http://www.etrinet.com)

## Catalogue data

In this AC Axial Fans catalogue, we offer models which are in general use.

Our standard product range includes many other versions with variations in supply voltage and speed.

Specific fans are available and can be made to customers specification.

Our application engineers work constantly with our customers specification to offer the best fan selection..

In this way, many special units are produced both for commercial and military applications.

Our test laboratories in Vendôme (France) are available for customers to test their prototype equipment in order to determine the optimum cooling solution.

Further products catalogues:

- DC Axial Fans
- 400 Hz Fans
- High Performance Fans
- Accessories

All the datasheets are still available on the website:

[www.etrinet.com](http://www.etrinet.com)

## AERODYNAMIC CURVES

The aerodynamic graphs are constructed using a test chamber and method described in CCT Standard 18.10. They are drawn up for an air density of 1,2 kg/m<sup>3</sup>.

### TOLERANCES (Indicative values)

Low speed AC fans series: 126LH, 126LJ, 99XM, 99XW, 146DF, 98XC, 98XY, 141LV, 141LT, 129XR, 125LG, 125XL, 148VE, 148VP, 154DE, 154DG

Speed / airflow	+/- 10 %
Static pressure	+/- 20 %
Input power	+/- 30 %
Current	+/- 30 %
Voltage: 208-240V	-10 % +6 %
Other voltages:	+/- 10 %

#### Other series

Speed / airflow	+/- 4 %
Static pressure	+/- 8 %
Input power	+/- 10 %
Current	+/- 10 %
Voltage: 208-240V	-10 % +6 %
Other voltages:	+/- 10 %

## EXEMPLE OF CODIFICATION

125 XR 0 1 81 000

Series code  
Speed  
Construction code: 0 = ball bearings;  
5 = high temperature fan  
1 = standard; 3 = speed sensor  
Voltage: 81= 208-240 V; 82 = 115 V; 8L = 24 V;  
Design code: 000 standard version;  
XXX = option (salt spray protection, tropicalization...)

148 VK 0 2 81 000

Series code  
Speed  
Construction code: 0 = ball bearings;  
5 = high temperature fan  
2 = standard; 4 = speed sensor  
Voltage: 81= 208-240 V; 82 = 115 V; 8L = 24 V;  
Design code: 000 standard version;  
XXX = option (salt spray protection, tropicalization...)

## ELECTRICAL, AERODYNAMIC AND INDUSTRIAL DATA

The following information can be found in the data tables:

- Nominal voltages
- Rated speed which is an approximate value of the fan speed operating at free air
- Power consumption and line current at free air
- Maximum static pressure corresponding to the pressure at no flow condition
- Maximum air delivery corresponding to airflow at no static pressure value
- Total noise level in decibels from the equilibrium curve  
A measured 1 meter from the air inlet, the fan operating in free air.

## TOLERANCES

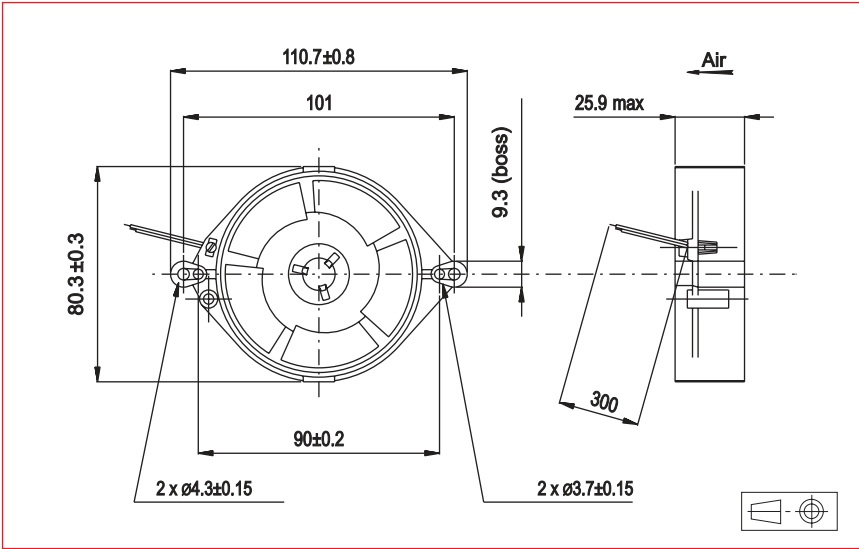
The values shown in the data tables and the various curves have been measured from standard design equipment and should be considered nominal.

Without particular specifications, we accept the tolerances given at the beginning of each catalogue.

Drawings: without particular specifications, we accept a tolerance of  $\pm 1$  mm.



## Ø 80 x 25 mm



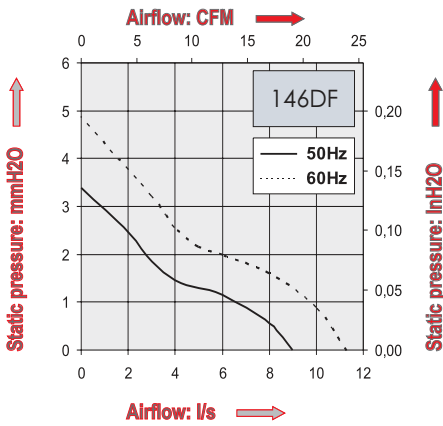
**Approvals**



**Life expectancy**

L-10 LIFE AT 40°C:  
80 000 hours

**AC Motor**  
 Electrical protection: impedance protected  
 Housing material: zamak  
 Impeller material: plastic UL 94 VO  
 Weight: 300 g  
 Bearing system: ball bearings



Part Number	Nominal voltage	Airflow	Noise level	Nominal speed	Frequency	Phases	Capacitor	Input Power	Nominal current	Starting current	Connection type		Operating temperature	
	V										l/s	dB(A)	RPM	Hz
146DF0181000	208-240	9	26	2500	50	1		11	60	70	X		-10	70
		11	32	3100	60	1		9	50	60	X		-10	70
146DF0182000	115	9	26	2500	50	1		10	105	120	X		-10	70
		11	32	3100	60	1		8	90	110	X		-10	70

**Additional versions:** Shock and vibration protected - salt spray protected - marine specifications - wide temperature range - IP54: consult factory

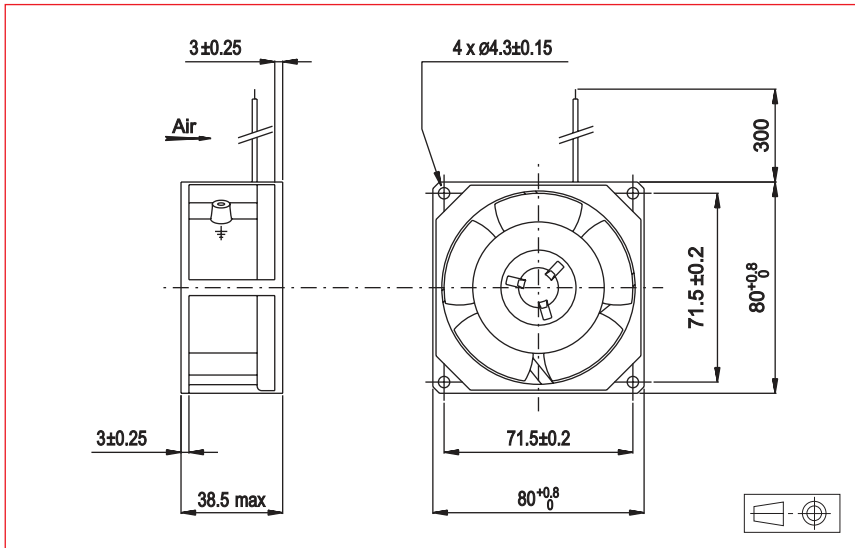
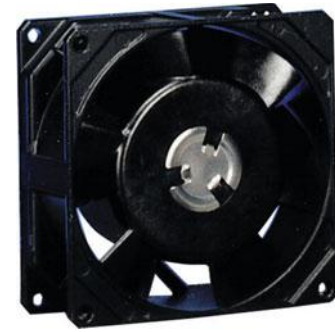
**Accessories:** Refer to Accessories leaflet



# 80 x 80 x 38 mm

# ETRI®

AC Axial Fans



Approvals

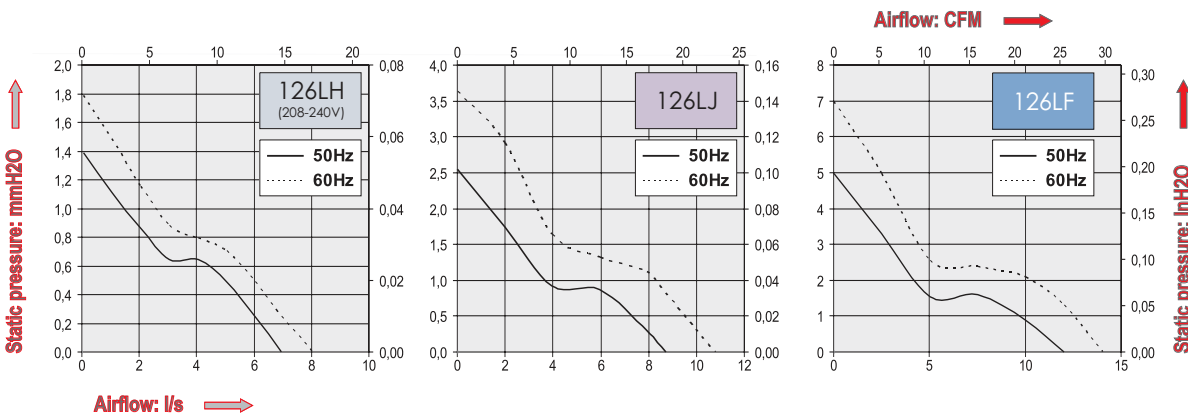


Life expectancy

L-10 LIFE AT 40°C:  
80 000 hours

**AC Motor**  
 Electrical protection: impedance protected  
 Housing material: zamak  
 Impeller material: plastic UL 94 VO  
 Weight: 400 g  
 Bearing system: ball bearings

**Available with:**  
 - Connection type: terminals

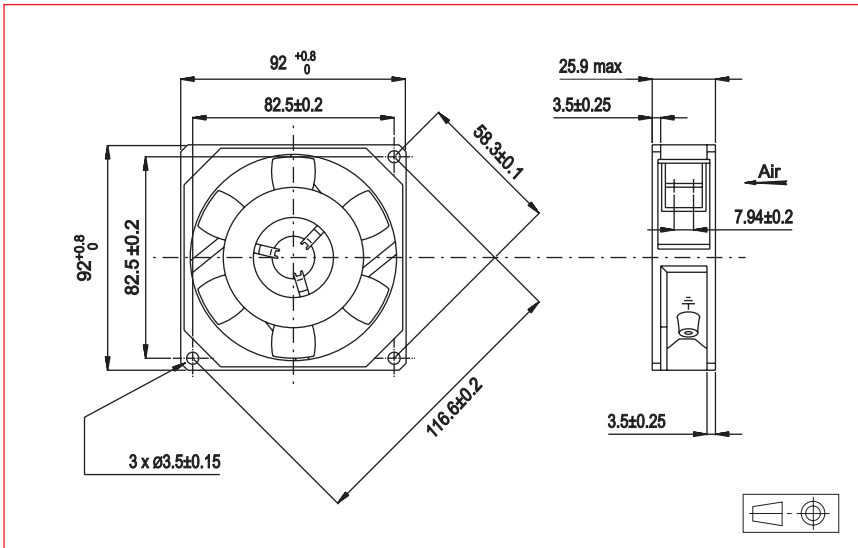


Part Number	Nominal voltage	Airflow	Noise level	Nominal speed	Frequency	Phases	Capacitor	Input Power	Nominal current	Starting current	Connection type		Operating temperature	
	V										l/s	dB(A)	RPM	Hz
126LH0182000	115	6	10	1350	50	1		5	50	60	X	Terminals	-10	70
		7	11	1550	60	1		4	50	60	X	Terminals	-10	70
126LH0181000	208-240	6,5	14	1550	50	1		7	35	40	X	Terminals	-10	70
		8	18	1850	60	1		6	30	35	X	Terminals	-10	70
126LJ0182000	115	9	22	2000	50	1		7	75	80	X	Terminals	-10	70
		11	25	2400	60	1		6	65	70	X	Terminals	-10	70
126LJ0181000	208-240	9	22	2000	50	1		8	45	50	X	Terminals	-10	70
		11	25	2400	60	1		7	40	45	X	Terminals	-10	70
126LF0182000	115	12,5	30	2750	50	1		10	130	170	X	Terminals	-10	70
		15	35	3250	60	1		8	100	140	X	Terminals	-10	70
126LF0181000	208-240	12,5	30	2750	50	1		12	75	90	X	Terminals	-10	70
		15	35	3550	60	1		9	60	70	X	Terminals	-10	70

**Additional versions:**  
 Shock and vibration protected - wide temperature range  
 IP54: consult factory

**Accessories:**  
 Refer to Accessories leaflet





**Approvals**

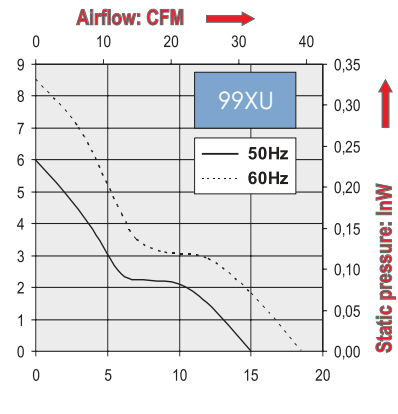
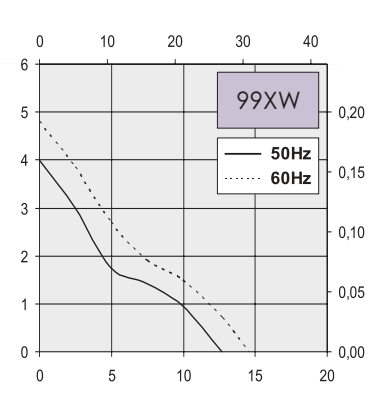
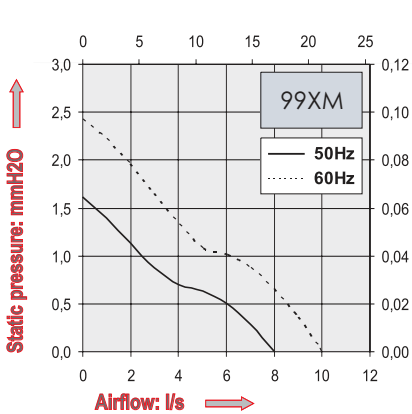


**Life expectancy**

L-10 LIFE AT 40°C:  
80 000 hours

**AC Motor**  
 Electrical protection: impedance protected  
 Housing material: zamak  
 Impeller material: plastic UL 94 VO  
 Weight: 395 g  
 Bearing system: ball bearings

**Available with:**  
 - Flying leads  
 - Speed sensor



Part Number	Nominal voltage	Airflow	Noise level	Nominal speed	Frequency	Phases	Capacitor	Input Power	Nominal current	Starting current	Connection type		Operating temperature	
	V										l/s	dB(A)	RPM	Hz
99XM0182000	115	8	21	1500	50	1		7	75	80		X	-10	70
		10	25,5	1800	60	1		6	65	70		X	-10	70
99XM0181000	208-240	8	21	1500	50	1		8	40	45		X	-10	70
		10	25,5	1800	60	1		7	35	40		X	-10	70
99XW0182000	115	12	32	2200	50	1		8	85	100		X	-10	70
		14	35,5	2500	60	1		6	70	90		X	-10	70
99XW0181000	208-240	12	32	2200	50	1		9	50	60		X	-10	70
		14	35,5	2500	60	1		7	40	50		X	-10	70
99XU0181000	208-240	15	38	2700	50	1		14	70	100		X	-10	70
		18,5	42	3200	60	1		11	60	90		X	-10	70

**Additional versions:**  
 Salt spray protected - shock and vibration protected - marine specifications - wide temperature range  
 IP54: consult factory

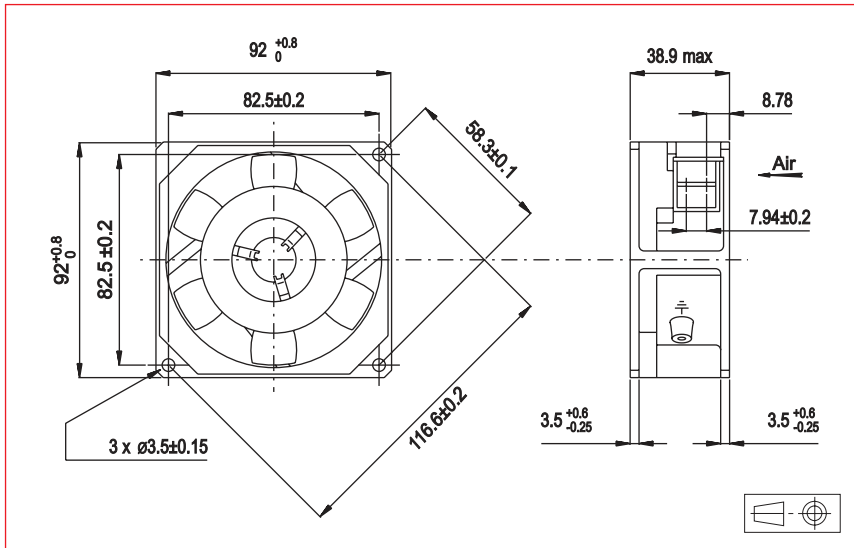
**Accessories:**  
 Refer to Accessories leaflet



**92 x 92 x 38 mm**

**ETRI®**

AC Axial Fans



**Approvals**



**Life expectancy**

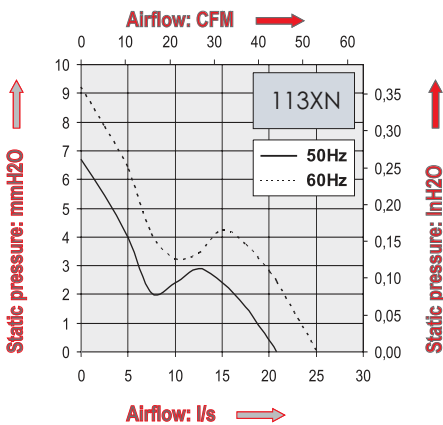
L-10 LIFE AT 40°C:  
80 000 hours

**Brushless DC Motor**

Electrical protection: impedance protected  
Housing material: zamak  
Impeller material: plastic UL 94 VO  
Weight: 615 g  
Bearing system: ball bearings

**Available with:**

- Flying leads



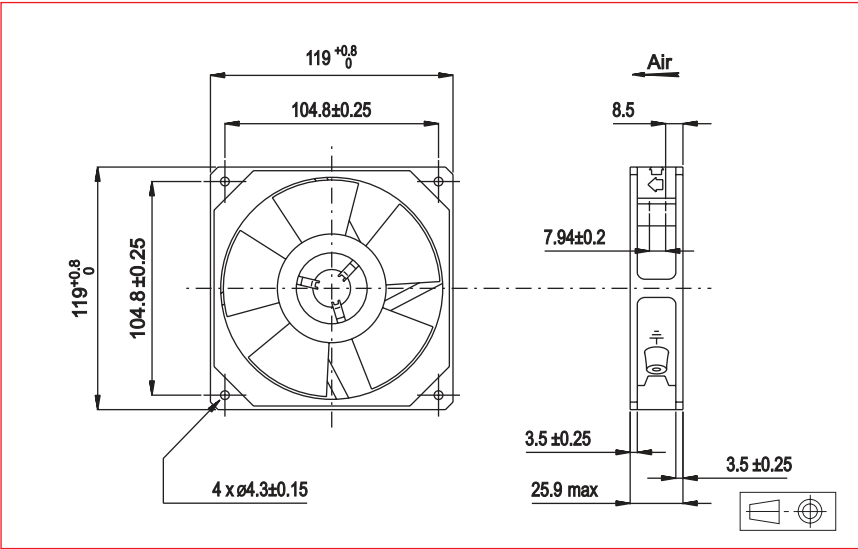
Part Number	Nominal voltage	Airflow	Noise level	Nominal speed	Frequency	Phases	Capacitor	Input Power	Nominal current	Starting current	Connection type		Operating temperature	
	V										l/s	dB(A)	RPM	Hz
113XN0182000	115	21	36	2850	50	1		10	140	270	X	X	-10	70
		25	41	3300	60	1		9	115	220	X	X	-10	70
113XN0181000	208-240	21	36	2850	50	1		12	85	160	X	X	-10	70
		25	41	3300	60	1		11	75	140	X	X	-10	70

**Additional versions:**

Salt spray protected - shock and vibration protected - marine specifications - wide temperature range  
IP54: consult factory

**Accessories:**

Refer to Accessories leaflet



**Approvals**



**Life expectancy**

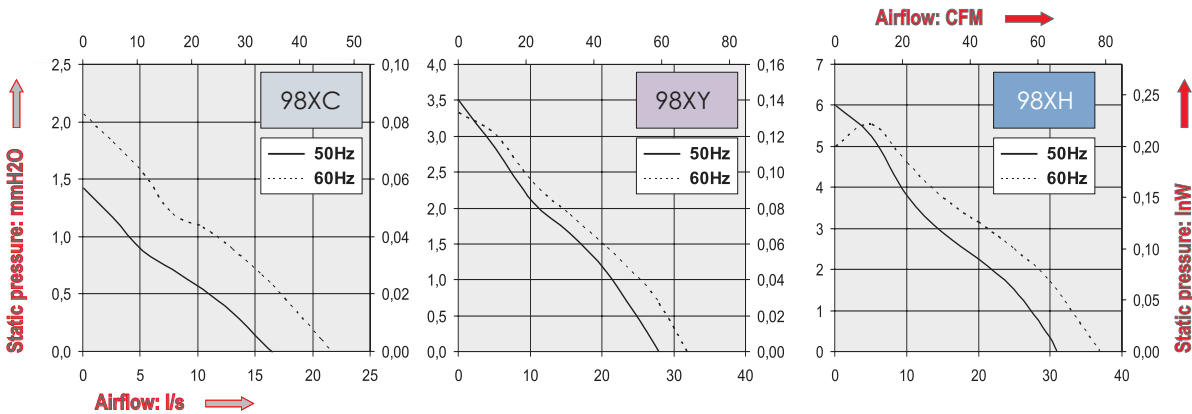
L-10 LIFE AT 40°C:  
80 000 hours

**AC Motor**

Electrical protection: impedance protected  
Housing material: zamak  
Impeller material: plastic UL 94 VO  
Weight: 465 g  
Bearing system: ball bearings

**Available with:**

- Speed sensor
- Connection type: leads



Part Number	Nominal voltage	Airflow	Noise level	Nominal speed	Frequency	Phases	Capacitor	Input Power	Nominal current	Starting current	Connection type		Operating temperature	
	V										l/s	dB(A)	RPM	Hz
98XC0182000	115	16	32	1300	50	1		12	130	150	X	X	-10	70
		21	35	1700	60	1		10	110	130	X	X	-10	70
98XC0181000	208-240	16	32	1300	50	1		14	80	90	X	X	-10	70
		21	35	1700	60	1		12	70	75	X	X	-10	70
98XY0182000	115	27	36	2100	50	1		10	120	140	X	X	-10	70
		31	38	2400	60	1		9	100	120	X	X	-10	70
98XY0181000	208-240	27	36	2100	50	1		12	65	80	X	X	-10	70
		31	38	2400	60	1		10	65	80	X	X	-10	70
98XH0182000	115	31	41	2555	50	1		13	135	200	X	X	-10	70
		37	44	3000	60	1		11	110	180	X	X	-10	70
98XH0181000	208-240	31	41	2550	50	1		15	80	100	X	X	-10	70
		37	44	3000	60	1		13	65	90	X	X	-10	70

**Additional versions:**

others speeds - Salt spray protected - shock and vibration protected - marine specifications - wide temperature range  
IP54: consult factory

**Accessories:**

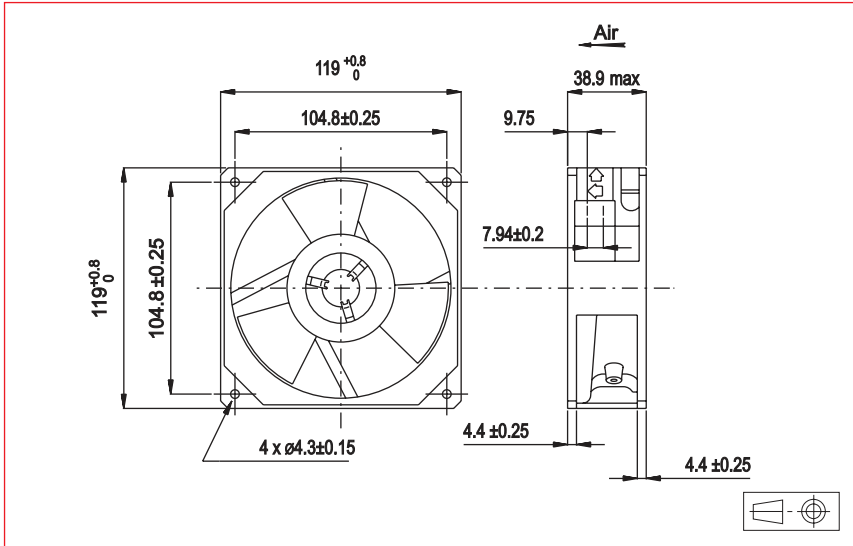
Refer to Accessories leaflet



# 120 x 120 x 38 mm

# ETRI®

AC Axial Fans



### Approvals



### Life expectancy

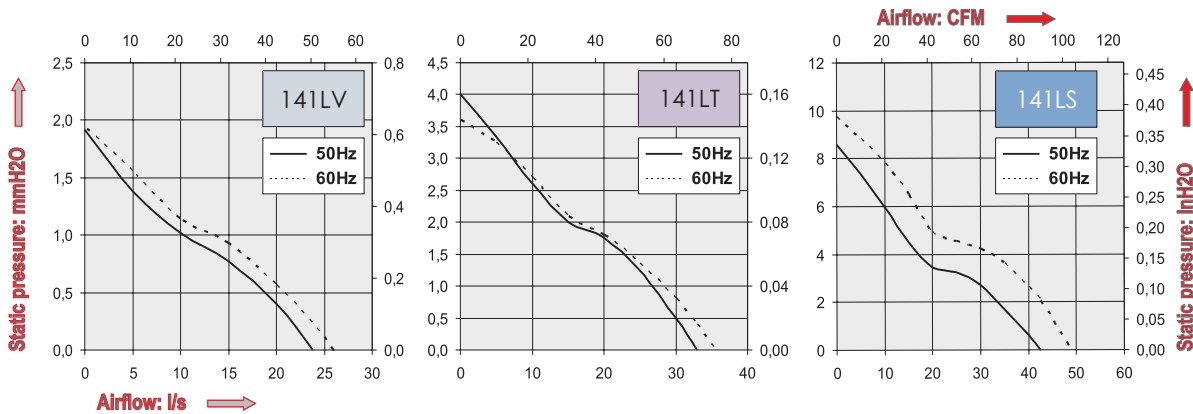
L-10 LIFE AT 40°C:  
80 000 hours

### AC Motor

Electrical protection: impedance protected  
Housing material: zamak  
Impeller material: plastic UL 94 VO  
Weight: 725 g  
Bearing system: ball bearings

### Available with:

- Flying leads
- Speed sensor



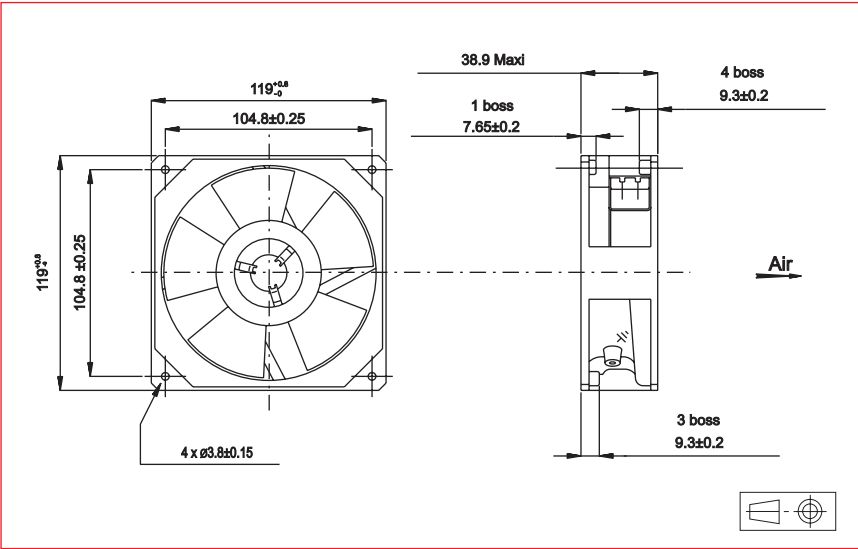
Part Number	Nominal voltage	Airflow	Noise level	Nominal speed	Frequency	Phases	Capacitor	Input Power	Nominal current	Starting current	Connection type		Operating temperature	
	V										l/s	dB(A)	RPM	Hz
141LV0182000	115	23,5	27,5	1600	50	1		9	110	125	X	X	-10	70
		26	28	1700	60	1		8	100	110	X	X	-10	70
141LV0181000	208-240	23,5	27,5	1600	50	1		10	60	70	X	X	-10	70
		26	28	1700	60	1		9	55	65	X	X	-10	70
141LT0182000	115	33	35	2000	50	1		10	125	160	X	X	-10	70
		35	38,5	2400	60	1		9	110	140	X	X	-10	70
141LT0181000	208-240	33	35	2000	50	1		12	75	90	X	X	-10	70
		35	38,5	2400	60	1		10	65	75	X	X	-10	70
141LS0182000	115	42	43	2800	50	1		13	160	275	X	X	-10	70
		48	47	3200	60	1		12	140	240	X	X	-10	70
141LS0181000	208-240	42	43	2800	50	1		14	95	150	X	X	-10	70
		48	47	3200	60	1		12	80	130	X	X	-10	70

### Additional versions:

Salt spray protected - shock and vibration protected - marine specifications - wide temperature range  
IP54: consult factory

### Accessories:

Refer to Accessories leaflet



**Approvals**



**Life expectancy**

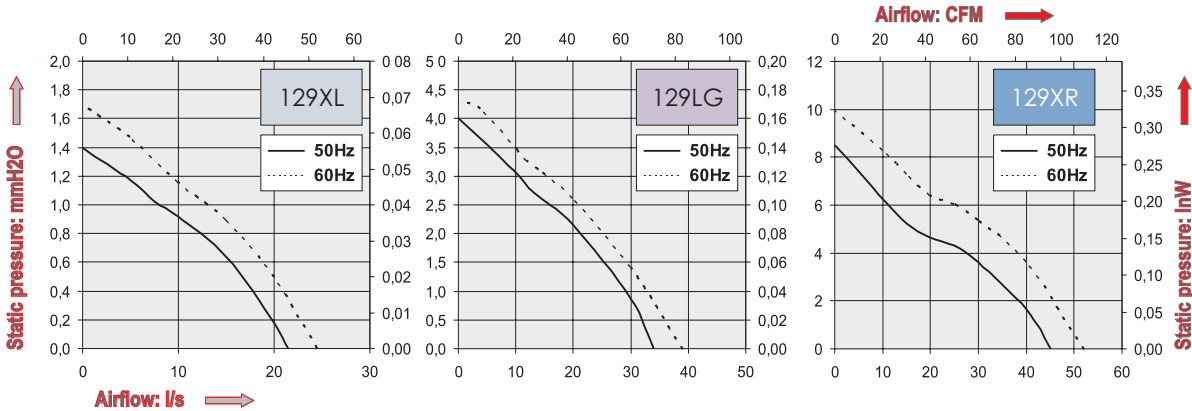
L-10 LIFE AT 40°C:  
80 000 hours

**AC Motor**

Electrical protection: impedance protected  
Housing material: zamak  
Impeller material: plastic UL 94 VO  
Weight: 725 g  
Bearing system: ball bearings

**Available with:**

- Flying leads
- Speed sensor



Part Number	Nominal voltage	Airflow	Noise level	Nominal speed	Frequency	Phases	Capacitor	Input Power	Nominal current	Starting current	Connection type		Operating temperature	
	V										l/s	dB(A)	RPM	Hz
129XL0282010	115	21,5	31	1350	50	1		12	135	145		X	-10	70
		24,5	33,5	1550	60	1		10	115	125		X	-10	70
129XL0281010	208-240	21,5	31	1350	50	1		12	75	90		X	-10	70
		24,5	33,5	1550	60	1		10	65	75		X	-10	70
129LG0282010	115	34	44,5	2200	50	1		16	200	250		X	-10	70
		39	47,5	2400	60	1		13	160	200		X	-10	70
129LG0281010	220	34	44,5	2200	50	1		18	110	140		X	-10	70
		39	47,5	2400	60	1		15	90	120		X	-10	70
129XR0282010	115	45	49	2800	50	1		16	200	310		X	-10	70
		52	54	3200	60	1		15	180	260		X	-10	70
129XR0281010	220	45	49	2800	50	1		18	125	170		X	-10	70
		52	54	3200	60	1		15	105	150		X	-10	70

**Additional versions:**  
Dual voltage 115V - 230V - salt spray protected - shock and vibration protected - marine specifications - IP54: consult factory

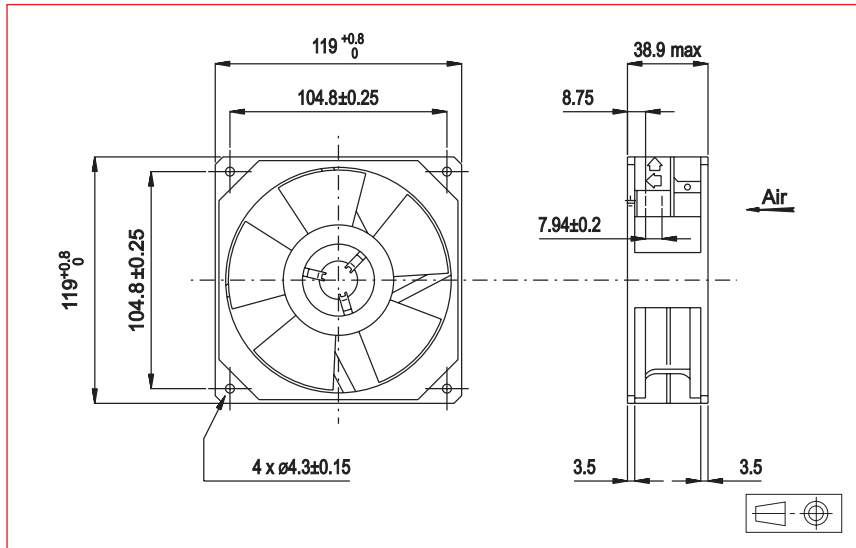
**Accessories:**  
Refer to Accessories leaflet



# 120 x 120 x 38 mm

# ETRI®

AC Axial Fans



### Approvals



### Life expectancy

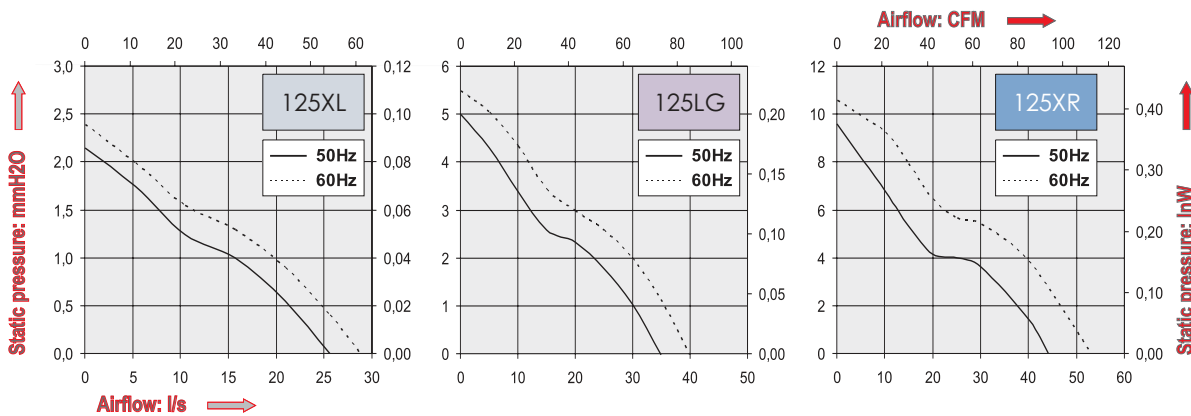
L-10 LIFE AT 40°C:  
80 000 hours

### AC Motor

Electrical protection: impedance protected  
Housing material: zamak  
Impeller material: plastic UL 94 VO  
Weight: 725 g  
Bearing system: ball bearings

### Available with:

- Flying leads
- Speed sensor



Part Number	Nominal voltage	Airflow	Noise level	Nominal speed	Frequency	Phases	Capacitor	Input Power	Nominal current	Starting current	Connection type		Operating temperature	
	V										l/s	dB(A)	RPM	Hz
125XL0182000	115	25	30	1600	50	1		12	135	145	X	X	-10	70
		27	32	1750	60	1		10	115	125	X	X	-10	70
125XL0181000	208-240	25	30	1600	50	1		12	75	90	X	X	-10	70
		27	32	1750	60	1		10	65	75	X	X	-10	70
125LG0182000	115	35	38	2200	50	1		16	200	260	X	X	-10	70
		40	40,5	2500	60	1		13	160	120	X	X	-10	70
125LG0181000	208-240	35	38	2200	50	1		18	110	140	X	X	-10	70
		40	40,5	2500	60	1		15	90	120	X	X	-10	70
125XR0182000	115	44	44	2800	50	1		16	200	310	X	X	-10	70
		53	48	3200	60	1		15	180	260	X	X	-10	70
125XR0181000	208-240	44	44	2500	50	1		18	125	170	X	X	-10	70
		53	48	3200	60	1		15	105	150	X	X	-10	70

### Additional versions:

Dual voltage 115V - 230V - other weight: 560g - aluminium housing - salt spray protected - shock and vibration protected - marine specifications - wide temperature range - IP54: consult factory

### Accessories:

Refer to Accessories leaflet

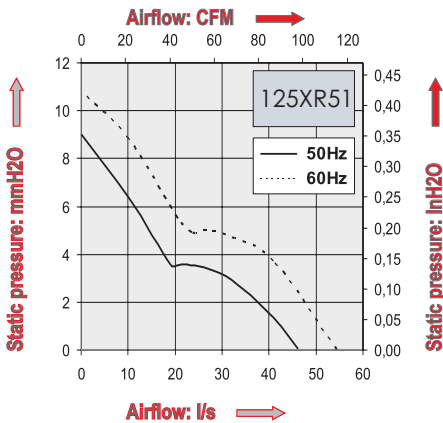


**Approvals**

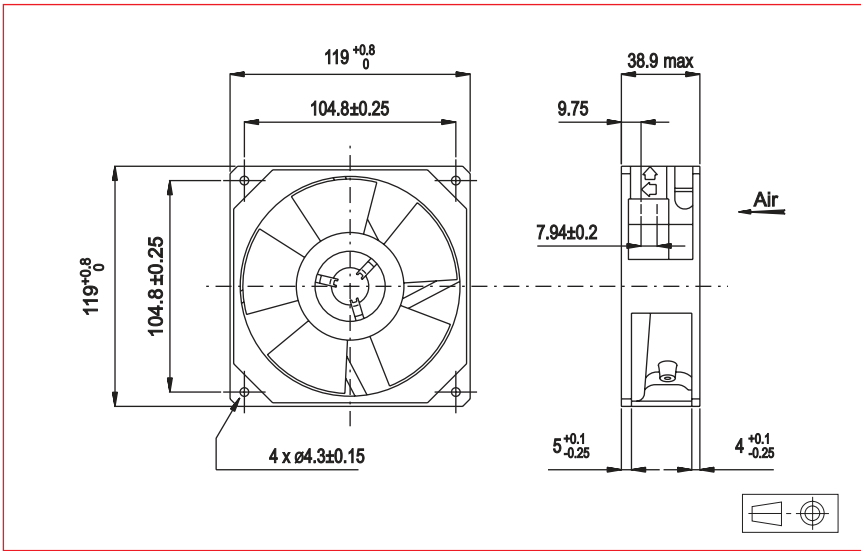


**Life expectancy**

L-10 LIFE AT 40°C:  
80 000 hours



## 120 x 120 x 38 mm



**Brushless DC Motor**  
 Electrical protection: impedance protected  
 Housing material: aluminium  
 Impeller material: plastic UL 94 VO  
 Weight: 560 g  
 Bearing system: ball bearings

**Available with:**  
 - Flying leads  
 - Speed sensor

Part Number	Nominal voltage	Airflow	Noise level	Nominal speed	Frequency	Phases	Capacitor	Input Power	Nominal current	Starting current	Connection type		Operating temperature	
	V										l/s	dB(A)	RPM	Hz
125XR5182002	115	44	43	2800	50	1		16	200	310		X	-54	100
		53	48	3200	60	1		15	180	260		X	-54	100
125XR5181002	208-240	44	43	2800	50	1		18	125	170		X	-54	100
		53	48	3200	60	1		15	105	150		X	-54	100

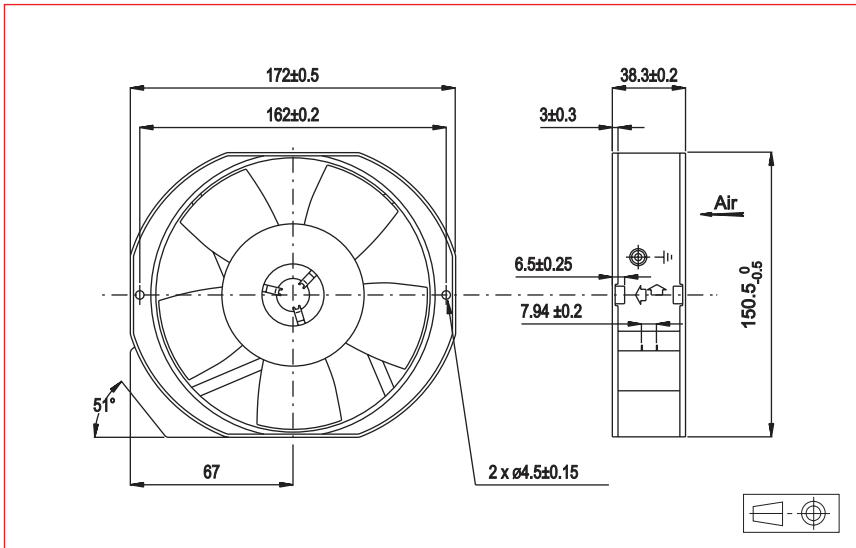
**Additional versions:**  
 Salt spray protected - shock and vibration protected - marine specifications  
 IP54: consult factory

**Accessories:**  
 Refer to Accessories leaflet

# 172 x 150 x 38 mm

# ETRI®

AC Axial Fans



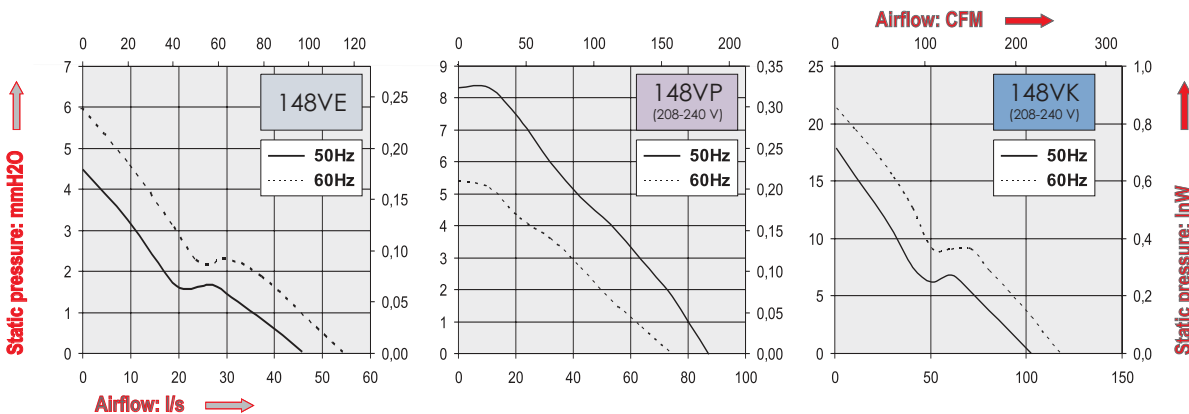
### Approvals



**AC Motor**  
 Electrical protection: thermally protected  
 Housing material: zamak  
 Impeller material: plastic UL 94 VO  
 Weight: 1,1 kg  
 Bearing system: ball bearings

**Available with:**  
 - Flying leads  
 - Speed sensor

**Life expectancy**  
 L-10 LIFE AT 40°C:  
 80 000 hours

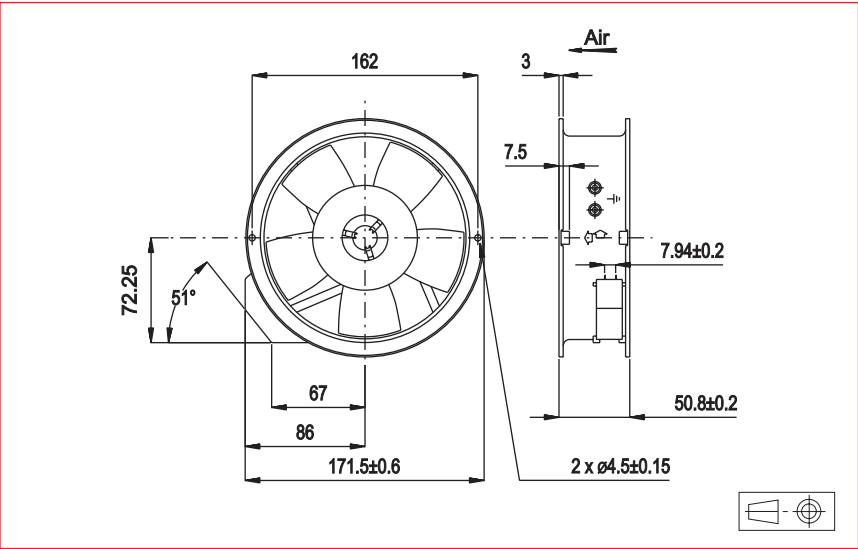


Part Number	Nominal voltage	Airflow	Noise level	Nominal speed	Frequency	Phases	Capacitor	Input Power	Nominal current	Starting current	Connection type		Operating temperature	
	V										l/s	dB(A)	RPM	Hz
148VE0282000	115	49	36	1400	50	1	1	11	100	140		X	-10	70
		58	39	1650	60	1	1	11	90	140		X	-10	70
148VE0281000	208-240	49	36	1400	50	1	0,32	13	60	80		X	-10	70
		58	39	1650	60	1	0,32	14	60	80		X	-10	70
148VP0282000	115	81	50	2350	50	1	2,2	14	120	170		X	-10	70
		70	45,5	2100	60	1	2,2	18	160	180		X	-10	70
148VP0281000	208-240	82	49	2400	50	1	0,69	16	70	100		X	-10	70
		70	44	2000	60	1	0,69	22	100	105		X	-10	70
148VK0282000	115	100	54	2850	50	1	2,7	32	300	610		X	-10	70
		119	57	3300	60	1	2,7	32	270	590		X	-10	70
148VK0281000	208-240	100	53	2800	50	1	2,2	35	200	390		X	-10	55
		117	57	3200	60	1	2,2	33	170	370		X	-10	55

**Additional versions:**  
 Other weight: 830 g - Aluminium impeller - salt spray protected - shock and vibration protected - marine specifications - wide temperature range  
 IP54: consult factory

**Accessories:**  
 Refer to Accessories leaflet





**Approvals**

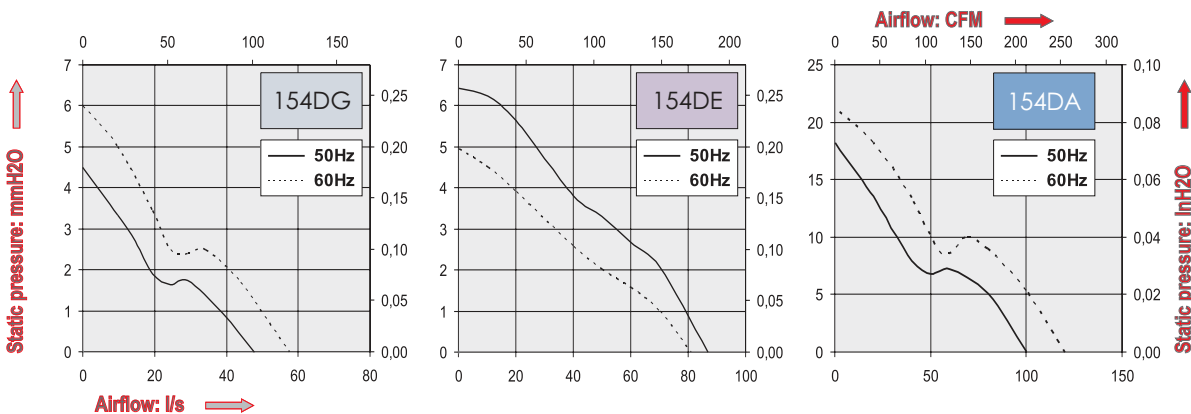


**Life expectancy**

L-10 LIFE AT 40°C:  
80 000 hours

**AC Motor**  
 Electrical protection: thermally protected  
 Housing material: aluminium  
 Impeller material: plastic UL 94 VO  
 Weight: 880 g  
 Bearing system: ball bearings

**Available with:**  
 - Flying leads  
 - Speed sensor



Part Number	Nominal voltage	Airflow	Noise level	Nominal speed	Frequency	Phases	Capacitor	Input Power	Nominal current	Starting current	Connection type		Operating temperature	
	V										l/s	dB(A)	RPM	Hz
154DG0282000	115	49	29,5	1400	50	1		11	100	140		X	-10	70
		59	35	1700	60	1		11	90	140		X	-10	70
154DG081000	208-240	49	29,5	1400	50	1		13	60	80		X	-10	70
		59	35	1700	60	1		14	60	80		X	-10	70
154DE0282000	115	87	47	2500	50	1		11	105	140		X	-10	70
		81	45	2300	60	1		15	130	150		X	-10	70
154DE0281000	208-240	87	47	2500	50	1		12	60	75		X	-10	70
		81	45	2300	60	1		16	75	80		X	-10	70
154DA0282000	115	100	50,5	2850	50	1		30	310	610		X	-10	70
		120	55,5	3400	60	1		29	260	590		X	-10	70
154DA0281000	208-240	100	50,5	2850	50	1		33	200	390		X	-10	55
		120	55,5	3400	60	1		30	160	370		X	-10	55

**Additional versions:**  
 Salt spray protected - shock and vibration protected - marine specifications - wide temperature range  
 IP54: consult factory

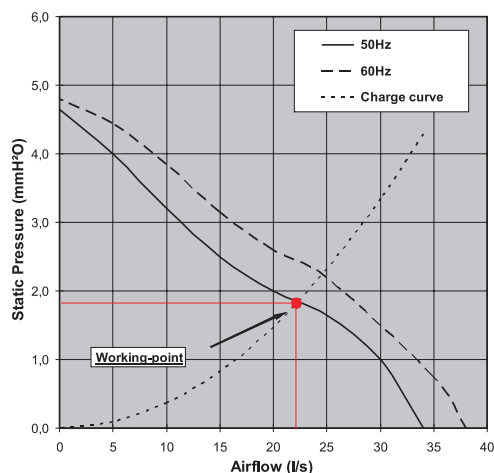
**Accessories:**  
 Refer to Accessories leaflet



## Technical guide

### CHOOSING THE APPROPRIATE FAN WITH THE WORKING POINT

The combination of necessary airflow and static pressure gives a value which is called working point. It is now very easy to choose the appropriate fan by selecting a model in the catalogue, which curve meets the working point.



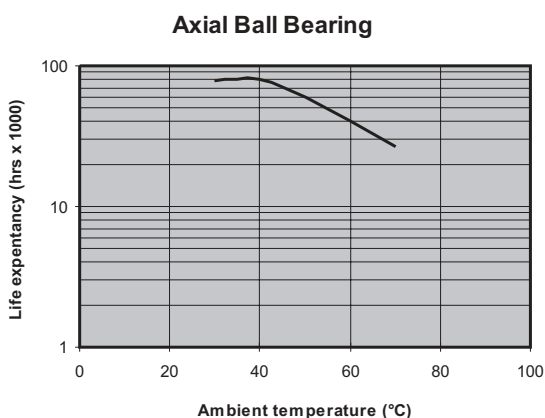
### LIFE EXPECTANCY

The mechanical and electrical design, the choice of materials, and the high level of inspection give our fans excellent reliability. Special attention is given to bearings, both in design and production, i.e.:

choice of bearings and lubricants, accurate machining, strict alignment, very careful balancing and inspection of 100 % of finished fans.

Life expectancy is calculated on a L-10 basis.

The following curves describe the life expectancy of the fans at a given temperature, after which 90 % of them are still operating.



### OPTIONS

#### DEGREES OF PROTECTION - IP

ETRI supplies a full range of AC and BDC fans offering high level of protection against dust or water.

Most of our standard models, and all our high performance fans are available with protection for use in specific conditions, up to IP55 environments.

#### SPEED SENSORS AND ALARM SIGNALS

Most ETRI DC and AC Fans feature a speed sensor that detects number of pulses per revolution, or a rotation detector (on/off signal) which indicates if the fan works correctly.

These options are codified as follow:

Speed sensor: 3 - Eg.: 125XR0381000

Alarm: 4 - Eg.: 148VK0481000

ETRI provides also a full range of alarm boxes (relay and dry contact) to read directly the signal of the speed sensor or alarm output.

For more information, refer to the Accessories leaflet.



#### A key partner in cooling solutions

ETRI's comprehensive fan line includes over 7000 fans which operate under a wide variety of voltages and frequencies. Thanks to extensive designing and testing equipment, our engineers are able to offer the best technical solution suitable to various applications, such as industrial, electronics, telecom, railway or military.

#### High quality fans

ETRI has been known for more than 60 years as a global leader in cooling products, and carries on its tradition of excellence using innovative designs and materials to produce high quality fans and blowers, through its ISO 9002 certified manufacturing plant. Most of ETRI fans are UL, CSA approved, and according to the European directives, they comply with EMI and electrical safety standards. Certificates are available on request.

#### An international presence

ETRI offers an international presence through its network of local offices (Europe & USA) distributors and representative offices in more than 50 countries. Complete list is available on our web site.

#### Votre partenaire en ventilation

Avec plus de 7000 références, ETRI propose une large gamme de ventilateurs répondant aux exigences les plus sévères pour des applications industrielles, électroniques, ferroviaires ou militaires. La gamme de produits standard est régulièrement complétée par des développements spécifiques réalisés sur cahier des charges.

#### Le choix de la qualité

ETRI vous apporte la réponse adaptée à vos besoins en vous proposant des solutions innovantes dans le domaine de la ventilation industrielle tout en garantissant les meilleurs niveaux de qualité. Les ventilateurs ETRI sont pour la plupart homologués UL et CSA, et conformément aux directives européennes, répondent aux normes EMI et de sécurité électrique. Les certificats sont disponibles sur simple demande.

#### Une présence internationale

Grâce à ses agences implantées en Europe et aux Etats-Unis, et à son large réseau de distributeurs, ETRI vous offre une présence internationale dans plus de 50 pays. La liste complète de nos représentants est disponible sur notre site internet.

[www.etrinet.com](http://www.etrinet.com)

Votre agence locale ou distributeur / Your local agency or distributor:



#### About Rosenberg...

Rosenberg is a competitive medium sized company with around 1400 employees worldwide.

During the last 25 years the Rosenberg group has been complemented in Europe by six additional works in France, Italy, Hungary, Czech Republic and Germany, in addition to the numerous subsidiaries and partners around the world.

Our aim is for high quality production backed by top class service for our clients. Thus a continuous flow of information and good cooperation between you, our dear customers, and us is most important, to jointly achieve a continuous evolution of our products and their quality.

#### A propos de Rosenberg...

Rosenberg est une entreprise performante à taille humaine qui emploie environ 1400 collaborateurs dans le monde entier.

Durant ces 25 dernières années, le Groupe Rosenberg s'est développé en Europe avec 6 nouvelles implantations en France, Italie, Hongrie, République Tchèque ainsi qu'en Allemagne, en plus des nombreux partenaires et distributeurs déjà présents à l'échelle mondiale.

Notre objectif est d'assurer un très haut niveau de qualité de produits doublé d'un service clients irréprochable.

De ce fait, maintenir une communication constante et une bonne coopération entre vous, nos chers clients, et nous, est la condition clé pour le développement de nos produits et de notre savoir-faire.

**Rosenberg USA**  
1010 Forsyth Avenue  
Indian Trail, North Carolina 28079  
Tel: +1-704/893-0883  
Fax: +1-704/882-0755  
E-mail: [sales@rosenbergusa.com](mailto:sales@rosenbergusa.com)

**ETRI FRANCE**  
Z.I. Sud - Rue Marc Seguin - BP 60008  
F-41101 VENDOME  
Tel.: +33 (0)2 54 23 14 54  
Fax: +33 (0)2 54 72 22 73  
E-mail: [info@etrinet.com](mailto:info@etrinet.com)