

# ETRI®



## High Performance

10/2008

**rosenberg**  
THE AIR MOVEMENT GROUP

ECO FIT  
ETRI



We are proud to form a part of the ROSENBERG family:



Rosenberg Ventilatoren GmbH  
Künzelsau, Germany



ECOFIT S.A.  
Vendôme, France

- Technical Expertise & Application Engineering
- Outstanding Customer Service
- Design Flexibility & Custom Fan/Motor Equipment
- Stock Fans for Immediate Shipment
- Full Line of Accessory Products & Controls
- Value Added Fabrication

## Contents

### Page

Catalogue data

### DC High performance Fans

107 x 80 x 60 mm	1
Ø 239,5 x 151 mm	2
Ø 350 x 263 mm	3

### AC High Performance Fans

Ø 130 x 64,5 mm	4
Ø 180 x 87 mm	5
Ø 180 x 180 mm	6
Ø 239,5 x 85 mm	7/8
Ø 239,5 x 181 mm	9/10
Ø 290 x 76,5 mm	11
Ø 350 x 158 mm	12/14
Ø 350 x 254 mm	15
Ø 350 x 274 mm	16

The following data tables give the main characteristics of our standard fans; for detailed information or specific request, call our local sales team.

*Les tableaux suivants indiquent les caractéristiques principales de nos ventilateurs standards ; pour des informations plus détaillées ou des demandes spécifiques, contactez nos équipes techniques et commerciales.*

Visit ETRI on line at :  
[www.etrinet.com](http://www.etrinet.com)

## Catalogue data

In this High Performance Fans catalogue, we offer models which are in general use.

Our standard product range includes many other versions with variations in supply voltage and speed.

Specific fans are available and can be made to customers specification.

Our application engineers work constantly with our customers specification to offer the best fan selection..

In this way, many special units are produced both for commercial and military applications.

Our test laboratories in Vendôme (France) are available for customers to test their prototype equipment in order to determine the optimum cooling solution.

Further products catalogues:

- AC Axial Fans
- DC Axial Fans
- 400Hz Fans
- Accessories

All the datasheets are still available on the website:

[www.etrinet.com](http://www.etrinet.com)

## ELECTRICAL, AERODYNAMIC AND INDUSTRIAL DATA

The following information can be found in the data tables:

- Nominal voltages and voltage range
- Rated speed which is an approximate value of the fan speed operating at free air
- Power consumption and line current at free air
- Maximum static pressure corresponding to the pressure at no flow condition
- Maximum air delivery corresponding to airflow at no static pressure value
- Total noise level in decibels from the equilibrium curve A measured 1 meter from the air inlet, the fan operating in free air.

### TOLERANCES (Indicative values)

#### AC Fans

Speed / airflow	+/- 4 %
Static pressure	+/- 8 %
Input power	+/- 10 %
Current	+/- 10 %
Voltage	+/- 10 %

#### DC Fans

Speed / airflow	+/- 6 %
Static pressure	+/- 12 %
Input power	+/- 15 %
Voltage	See voltage range on each technical datasheet

## EXEMPLE OF CODIFICATION

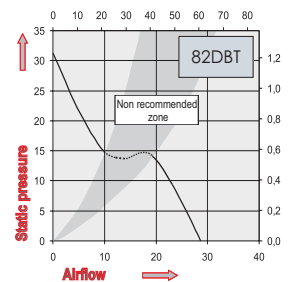
Series code	62 GP 01 6D XXX
Speed	
Mechanical	
Voltage: AC	6D = 220 - 380VAC; 61 = 220VAC; 62 = 115VAC; 6Y = 440VDC
DC	C6 = 24VDC; E6 = 28VDC; F6 = 48VDC; G6 = 72VDC; H6 = 110VDC

## CONDITIONS OF USE

Unstable operating zone for ETRI High Performance fans

Many axial flow fan characteristics have a “stall point”, also referred to as the “unstable zone” or “pumping zone”. It is recommended that fans should not be allowed to operate around the fan stall point otherwise there are serious risks of:

- impeller speed fluctuation causing mechanical instability
- increased motor temperature rise, especially on the bearings
- increased noise and vibration levels
- destruction of the motor mountings, motor bearings, and the fan impeller.



Some small diameter fans may be operated around the stall point, or at higher pressures and lower flow rates, but strictly with the written approval of manufacturer ETRI.

## AERODYNAMIC CURVES

The aerodynamic graphs are constructed using a test chamber and method described in CCT Standard 18.10. They are drawn up for an air density of 1,2 kg/m<sup>3</sup>.

## TOLERANCES

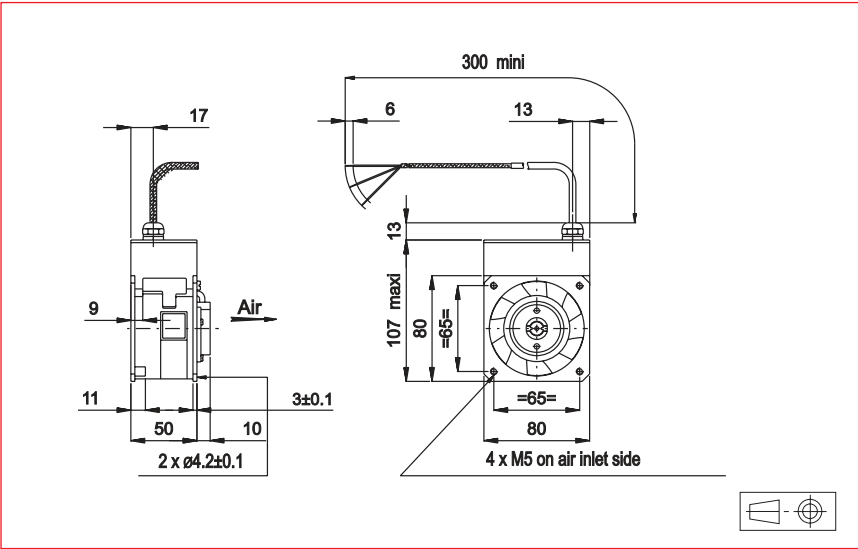
The values shown in the data tables and the various curves have been measured from standard design equipment and should be considered nominal.

Without particular specifications, we accept the tolerances given at the beginning of each catalogue.

Drawings: without particular specifications, we accept a tolerance of  $\pm 1$  mm.



**Approvals**



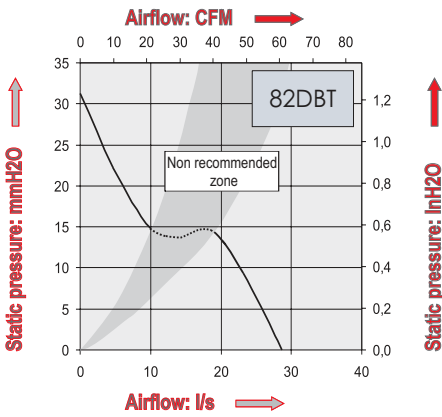
**Life expectancy**

L-10 LIFE AT 40°C:  
25 000 hours

**Brushless DC Motor**  
 Housing material: aluminium  
 Impeller material: aluminium  
 Weight: 1 kg  
 Bearing system: ball bearings  
 Wide temperature range

Marine specifications  
 Salt spray protected  
 Shock and vibration protected

**Available with:**  
 - RoHS approval



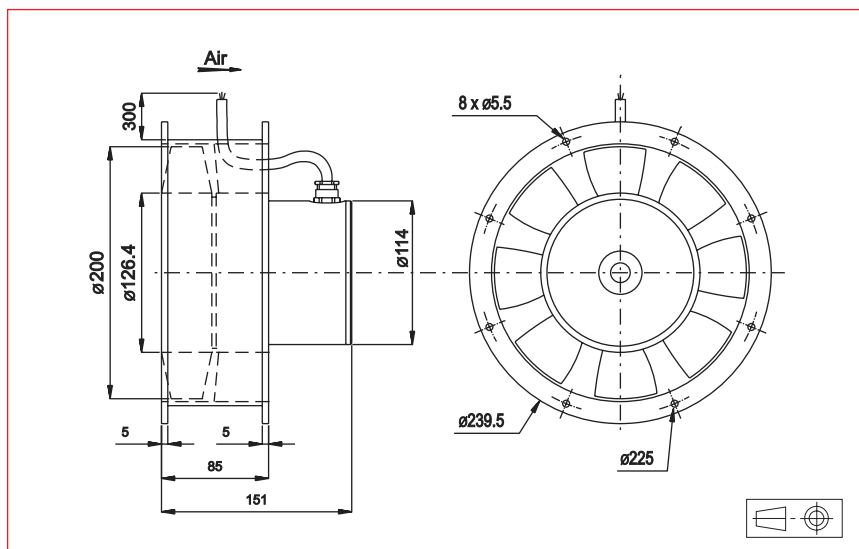
Part Number	Nominal voltage	Airflow	Noise level	Nominal speed	Input Power	Voltage range	Connexion type		Operating temperature	
	V	l/s	dB(A)	RPM	W	V	Leads	Terminals	Min.°C	Max.°C
82DBT05D6000	27	28,7	58	6800	16	(15-32)	X		-25	70

**Additional versions:**  
Other voltages

**Ø 239,5 x 151 mm**

**ETRI®**

DC High Performance Fans



Approvals



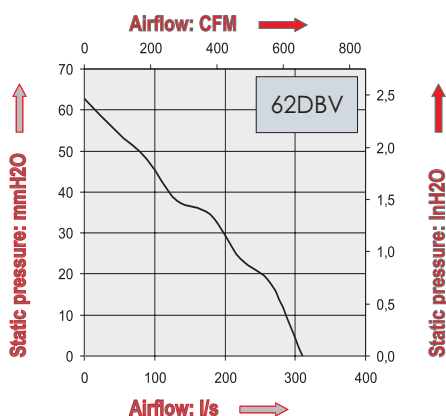
Life expectancy

L-10 LIFE AT 40°C:  
25 000 hours

**Brushless DC Motor**

Electrical protection: integrated circuit  
Housing material: aluminium  
Impeller material: aluminium  
Weight: 5,2 kg  
Bearing system: ball bearings

Wide Temperature range  
Salt spray protected  
Shock and vibration protected  
**Available with:**  
- Off/On level ; optional outputs ;  
variable speed ; RoHS approval



Part Number	Nominal voltage	Airflow	Noise level	Nominal speed	Input Power	Voltage range	Connexion type		Operating temperature	
	V	l/s	dB(A)	RPM	W	V	Leads	Terminals	Min.°C	Max.°C
62DBV01F6201	48	310	73,5	4350	120	(42-54)	X		-25	60

**Additional versions:**  
Other voltages (consult factory)  
Marine specifications

**Accessories:**  
Refer to Accessories leaflet

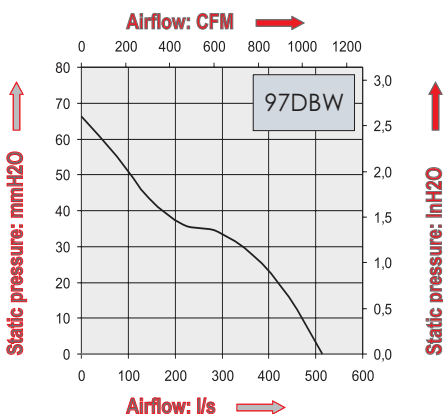




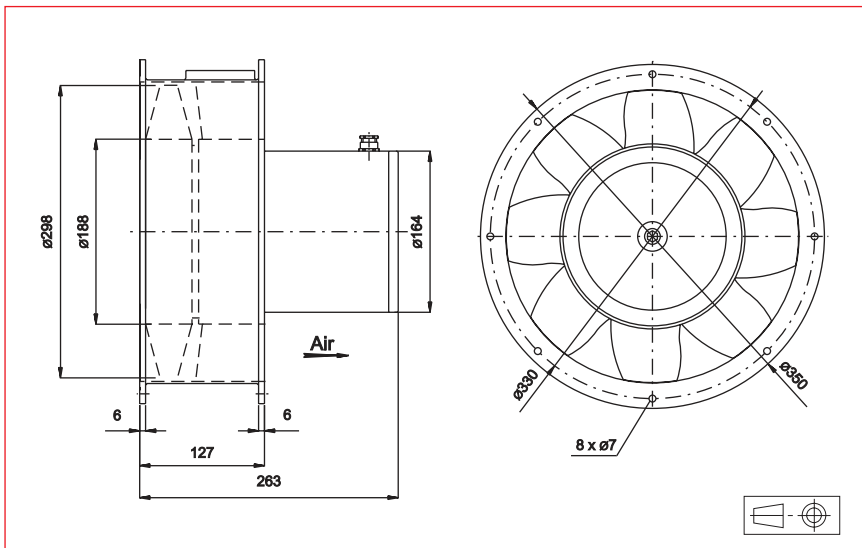
### Approvals

### Life expectancy

L-10 LIFE AT 40°C:  
25 000 hours



# Ø 350 x 263 mm



**Brushless DC Motor**  
 Housing material: aluminium  
 Impeller material: aluminium  
 Weight: 14 kg  
 Bearing system: ball bearings

Wide temperature range  
 Salt spray protected  
 Shock and vibration protected

**Available with:**  
 - RoHS approval

Part Number	Nominal voltage	Airflow	Noise level	Nominal speed	Input Power	Voltage range	Connexion type		Operating temperature	
	V	l/s	dB(A)	RPM	W	V	Leads	Terminals	Min.°C	Max.°C
97DBW01C6200	26	514	80,5	3050	200	(16-30)		X	-25	60

**Additional versions:**  
 Marine specifications  
 Flying leads connection

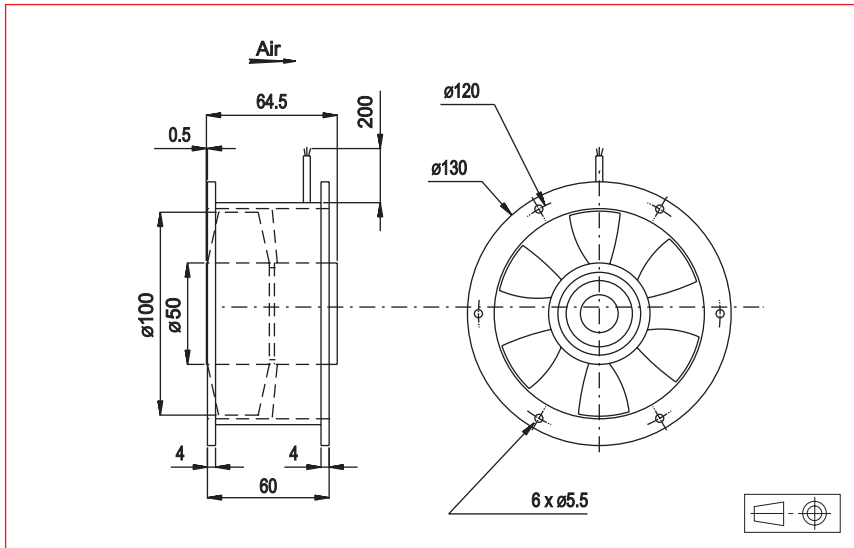
**Accessories:**  
 Refer to Accessories leaflet



**Ø 130 x 64,5 mm**

**ETRI®**

AC High Performance Fans



**Approvals**

CE, NATO codification

**Life expectancy**

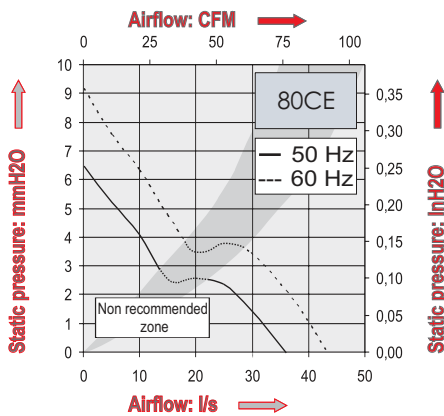
L-10 LIFE AT 40°C:  
25 000 hours

**AC Motor**

Housing material: aluminium  
Impeller material: aluminium  
Weight: 700 g  
Bearing system: ball bearings

**Available with:**

- Square flanges (113x113 mm)



Part Number	Nominal voltage	Airflow	Noise level	Nominal speed	Frequency	Phases	Capacitor (not included)	Input power	Nominal Current	Starting Current	Connection type		Operating temperature	
	V	l/s	dB(A)	RPM	Hz		µF	W	mA	mA	Leads	Terminals	Min.°C	Max.°C
80CE0161C13	220	36	45	2900	50	3		23	80	110	X		-10	70
	220	44	49	3400	60	3		18	65	110	X		-10	70
	220	36	45	2900	50	1	1	17	80	105	X		-10	70
	220	44	49	3400	60	1	1	16	75	105	X		-10	70

**Additional versions:**

Salt spray protected - Shock and vibration protected - Marine specifications  
Wide temperature range - Other voltages (consult factory)

**Accessories:**

Refer to Accessories leaflet



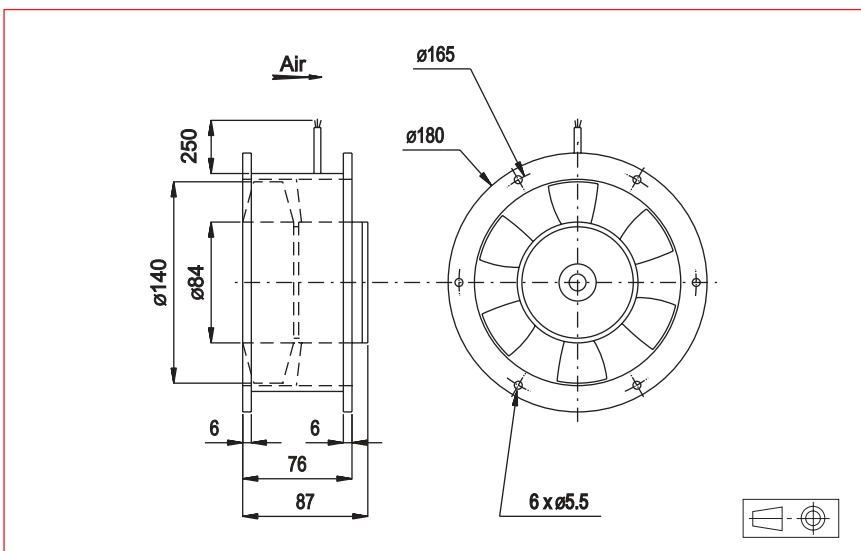
### Approvals

CE, NATO codification

### Life expectancy

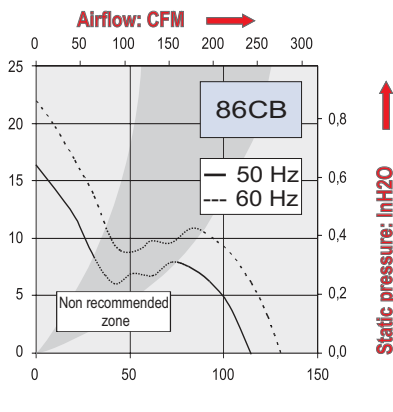
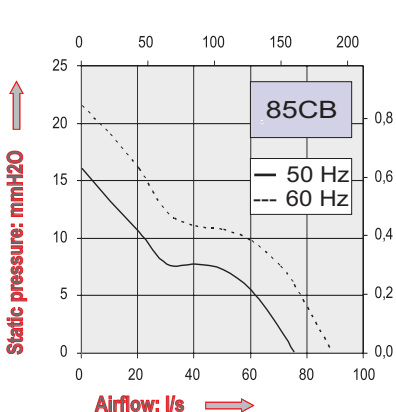
L-10 LIFE AT 40°C:  
25 000 hours

# Ø 180 x 87 mm



**AC Motor**  
 Housing material: aluminium  
 Impeller material: plastic  
 Weight: 2,1 kg  
 Bearing system: ball bearings

**Available with:**  
 - Safety switch  
 - Aluminium impeller



Part Number	Nominal voltage	Airflow	Noise level	Nominal speed	Frequency	Phases	Capacitor (not included)	Input power	Nominal Current	Starting Current	Connection type		Operating temperature	
	V	l/s	dB(A)	RPM	Hz		µF	W	mA	mA	Leads	Terminals	Min.°C	Max.°C
85CB016DC13	220	75	57	2850	50	3		20	110	320	X		-10	70
	380	75	57	2850	50	3		20	65	185	X		-10	70
	220	88	61	3300	60	3		23	95	300	X		-10	70
	380	88	61	3300	60	3		23	55	175	X		-10	70
	220	75	57	2580	50	1	1,47	20	110	260	X		-10	70
	380	75	57	2850	50	1	0,47	20	65	150	X		-10	70
86CB016DC13	220	88	61	3300	60	1	1,47	24	115	250	X		-10	70
	380	88	61	3300	60	1	0,47	24	70	145	X		-10	70
	220	111	56	2800	50	3		35	170	470	X		-10	70
	380	111	56	2800	50	3		35	100	275	X		-10	70
	220	127	60	3200	60	3		41	150	440	X		-10	70
	380	127	60	3200	60	3		41	90	255	X		-10	70
	220	111	56	2800	50	1	2,2	34	180	400	X		-10	70
	380	111	56	2800	50	1	0,69	34	105	235	X		-10	70
	220	127	60	3200	60	1	2,2	42	200	375	X		-10	70
	380	127	60	3200	60	1	0,69	42	115	220	X		-10	70

**Additional versions:**  
 Salt spray protected - Shock and vibration protected - Marine specifications  
 Wide temperature range - Other voltages (consult factory)

**Accessories:**  
 Refer to Accessories leaflet

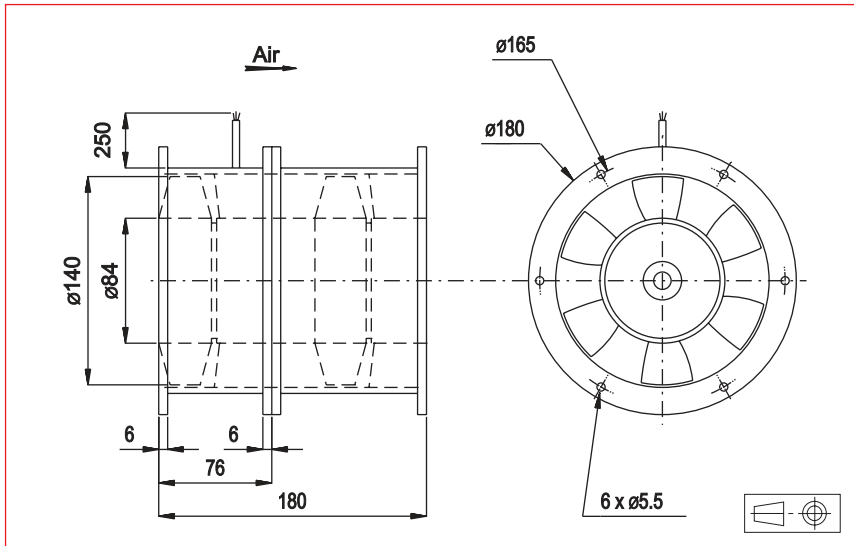




**Ø 180 x 180 mm**

**ETRI®**

AC High Performance Fans



**Approvals**

CE, NATO codification

**Life expectancy**

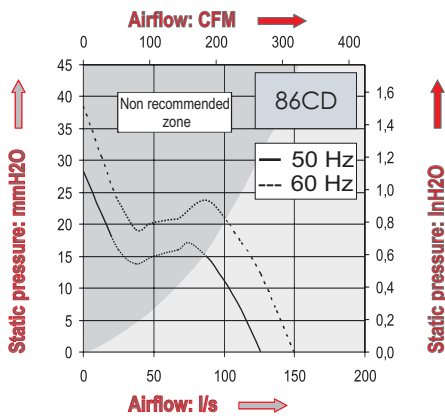
L-10 LIFE AT 40°C:  
25 000 hours

**AC Motor**

Housing material: aluminium  
Impeller material: plastic  
Weight: 4 kg  
Bearing system: ball bearings

**Available with:**

- Safety switch  
- Aluminium impeller



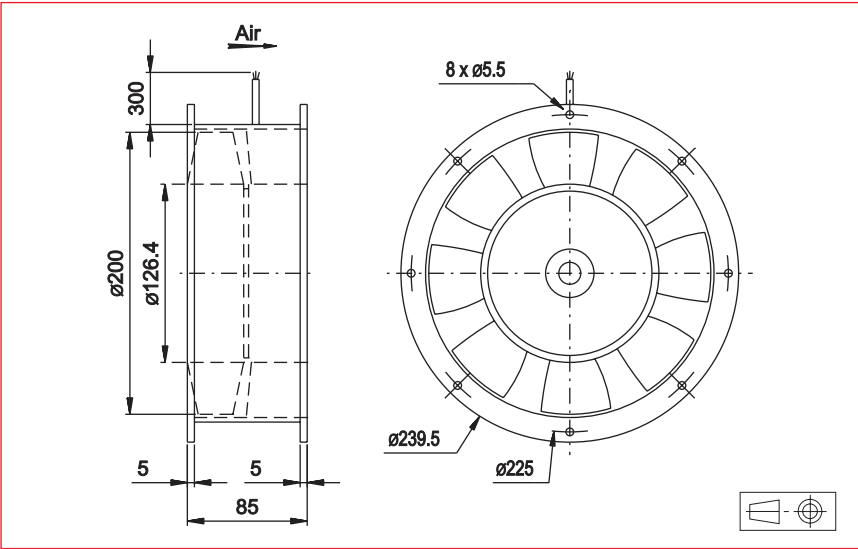
Part Number	Nominal voltage	Airflow	Noise level	Nominal speed	Frequency	Phases	Capacitor (not included)	Input power	Nominal Current	Starting Current	Connection type		Operating temperature	
	V	l/s	dB(A)	RPM	Hz		µF	W	mA	mA	Leads	Terminals	Min.°C	Max.°C
86CD116DC13	220	126	63	2850	50	3		54	275	880	X		-10	70
	380	126	63	2850	50	3		54	155	510	X		-10	70
	220	148	66	3250	60	3		71	260	840	X		-10	70
	380	148	66	3250	60	3		71	150	485	X		-10	70
	220	126	63	2850	50	1	3,2	54	290	790	X		-10	70
	380	126	63	2850	50	1	1	54	165	460	X		-10	70
	220	144	66	3250	60	1	3,2	71	340	760	X		-10	70
	380	144	66	3250	60	1	1	71	195	440	X		-10	70

**Additional versions:**

Salt spray protected - Shock and vibration protected - Marine specifications  
Wide temperature range - Other voltages (consult factory)

**Accessories:**

Refer to Accessories leaflet



**Approvals**

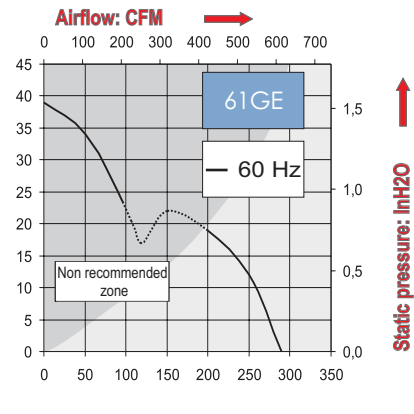
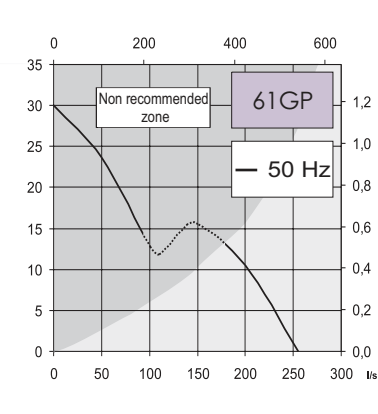
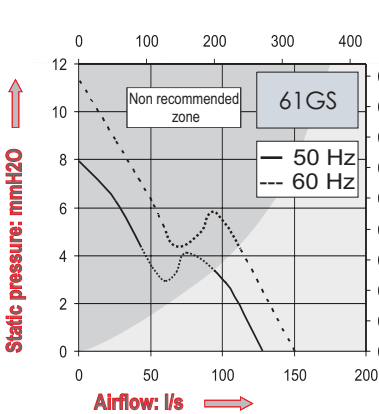
CE, NATO codification

**Life expectancy**

L-10 LIFE AT 40°C:  
25 000 hours

**AC Motor**  
 Housing material: aluminium  
 Impeller material: plastic  
 Weight: 3,85 kg (61GS)  
 4,25 kg (61GP, 61GE)  
 Bearing system: ball bearings

**Available with:**  
 - Safety switch  
 - Terminal block  
 - Aluminium impeller (62G series)



Part Number	Nominal voltage	Airflow	Noise level	Nominal speed	Frequency	Phases	Capacitor (not included)	Input power	Nominal Current	Starting Current	Connection type		Operating temperature	
	V	l/s	dB(A)	RPM	Hz		µF	W	mA	mA	Leads	Terminals	Min.°C	Max.°C
61GS016DC13	220	126	49	1450	50	3		18	135	440	X		-10	70
	380	126	49	1450	50	3		18	80	255	X		-10	70
	220	148	52	1700	60	3		20	115	385	X		-10	70
	380	148	52	1700	60	3		20	70	210	X		-10	70
	220	126	49	1450	50	1	1,47	18	130	360	X		-10	70
	380	126	49	1450	50	1	0,47	18	75	225	X		-10	70
61GP016DC13	220	148	52	1700	60	1	1,47	21	110	310	X		-10	70
	380	148	52	1700	60	1	0,47	21	65	180	X		-10	70
	220	255	65	2800	50	3		64	265	1300	X		-10	70
	380	255	65	2800	50	3		64	155	750	X		-10	70
	220	255	65	2800	50	1	4,7	68	325	1100	X		-10	70
	380	255	65	2800	50	1	1,47	68	190	640	X		-10	70
61GE016DC13	220	297	68	3350	60	3		99	400	1700	X		-10	70
	380	297	68	3350	60	3		99	230	1000	X		-10	70
	220	297	68	3350	60	1	4,7	102	500	1400	X		-10	70
	380	297	68	3350	60	1	1,47	102	290	800	X		-10	70

**Additional versions:**  
 Salt spray protected - Shock and vibration protected - Marine specifications  
 Wide temperature range - Other voltages (consult factory)

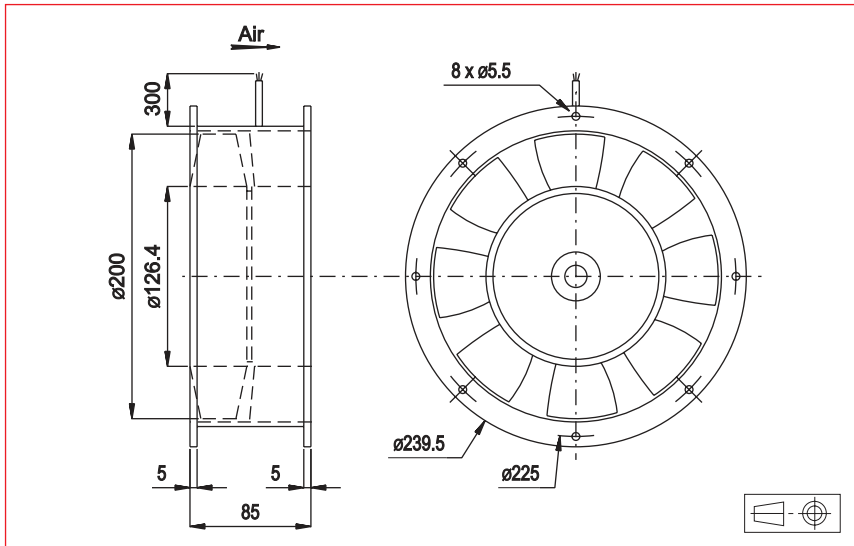
**Accessories:**  
 Refer to Accessories leaflet



**Ø 239,5 x 85 mm**

**ETRI®**

AC High Performance Fans



**Approvals**

CE, NATO codification

**Life expectancy**

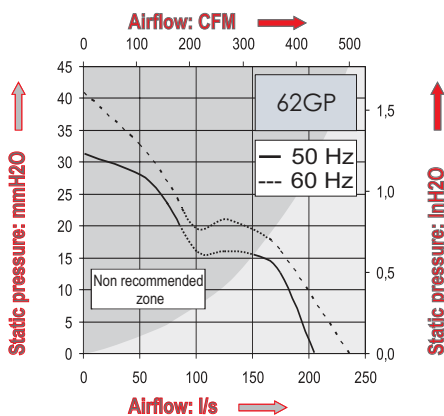
L-10 LIFE AT 40°C:  
25 000 hours

**AC Motor**

Housing material: aluminium  
Impeller material: aluminium  
Weight: 4,2 kg  
Bearing system: ball bearings

**Available with:**

- Safety switch
- Terminal block
- Plastic impeller (61G series)



Part Number	Nominal voltage	Airflow	Noise level	Nominal speed	Frequency	Phases	Capacitor (not included)	Input power	Nominal Current	Starting Current	Connection type		Operating temperature	
	V	l/s	dB(A)	RPM	Hz		µF	W	mA	mA	Leads	Terminals	Min.°C	Max.°C
62GP016DC13	220	205	63	2900	50	3		45	270	1300	X		-10	70
	380	205	63	2900	50	3		45	155	750	X		-10	70
	220	240	66	3400	60	3		58	230	1200	X		-10	70
	380	240	66	3400	60	3		58	135	700	X		-10	70
	220	205	63	2900	50	1	3,2	46	260	1100	X		-10	70
	380	205	63	2900	50	1	1	46	150	650	X		-10	70
	220	240	66	3400	60	1	3,2	61	280	1000	X		-10	70
	380	240	66	3400	60	1	1	61	160	600	X		-10	70

**Additional versions:**

Salt spray protected - Shock and vibration protected - Marine specifications  
Wide temperature range - Other voltages (consult factory)

**Accessories:**

Refer to Accessories leaflet



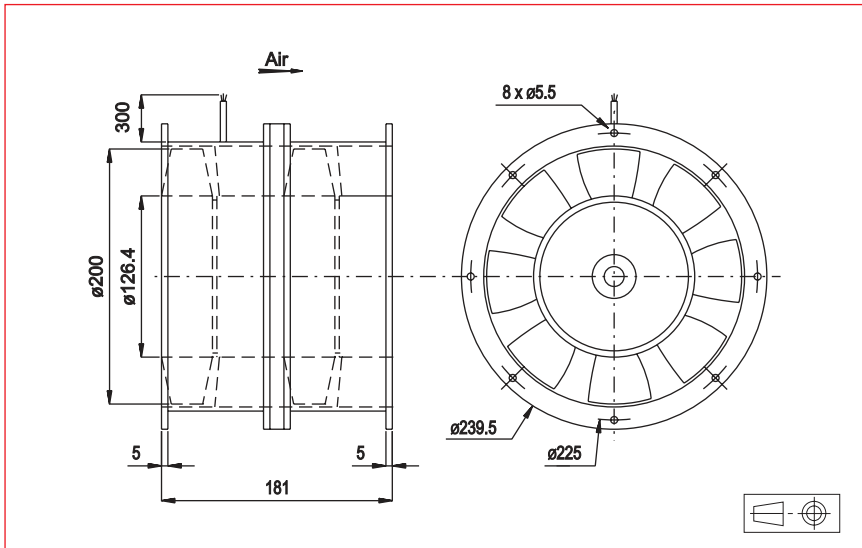
### Approvals

CE, NATO codification

### Life expectancy

L-10 LIFE AT 40°C:  
25 000 hours

# Ø 239,5 x 181 mm

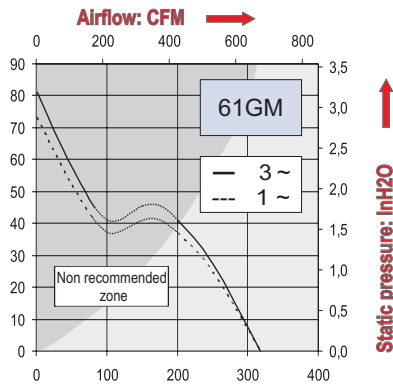
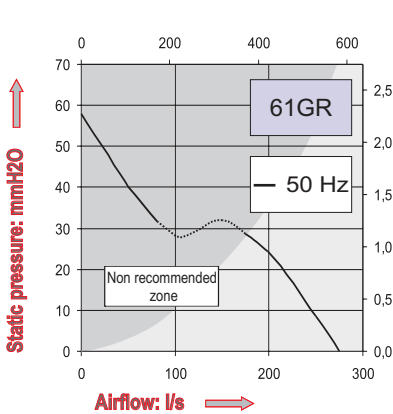


### AC Motor

Housing material: aluminium  
Impeller material: plastic  
Weight: 6,95 kg  
Bearing system: ball bearings

### Available with:

- Safety switch
- Terminal block
- Aluminium impeller (62GR model)



Part Number	Nominal voltage	Airflow	Noise level	Nominal speed	Frequency	Phases	Capacitor (not included)	Input power	Nominal Current	Starting Current	Connection type		Operating temperature	
	V	l/s	dB(A)	RPM	Hz		µF	W	mA	mA	Leads	Terminals	Min.°C	Max.°C
61GR116DC13	220	275	72	2750	50	3		100	400	1750	X		-10	70
	380	275	72	2750	50	3		100	230	1000	X		-10	70
	220	275	72	2750	50	1	6,9	105	480	1500	X		-10	70
	380	275	72	2750	50	1	2,2	105	280	900	X		-10	70
61GM116DC13	220	318	74	3300	60	3		160	690	2600	X		-10	70
	380	318	74	3300	60	3		160	400	1500	X		-10	70
	220	318	74	3300	60	1	10	166	780	2100	X		-10	70
	380	318	74	3300	60	1	3,2	166	450	1200	X		-10	70

### Additional versions:

Salt spray protected - Shock and vibration protected - Marine specifications  
Wide temperature range - Other voltages (consult factory)

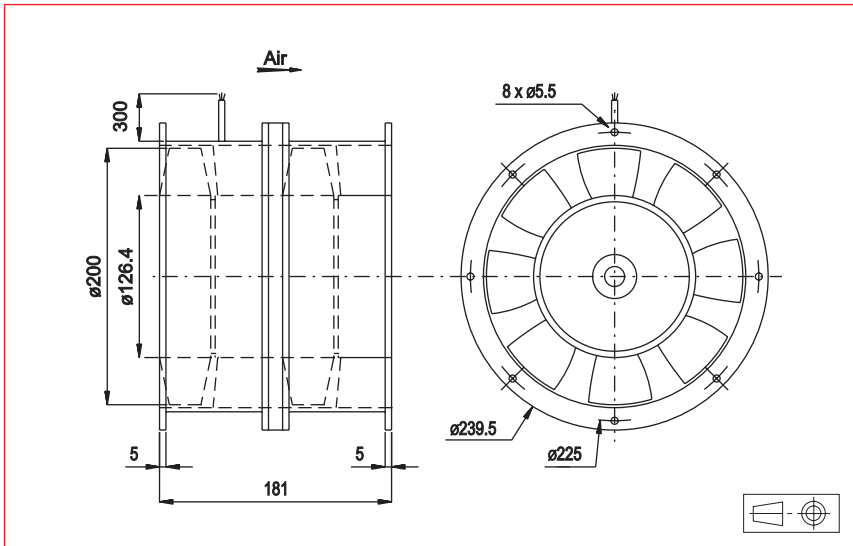
### Accessories:

Refer to Accessories leaflet

**Ø 239,5 x 181 mm**

**ETRI®**

AC High Performance Fans



**Approvals**

CE, NATO codification

**Life expectancy**

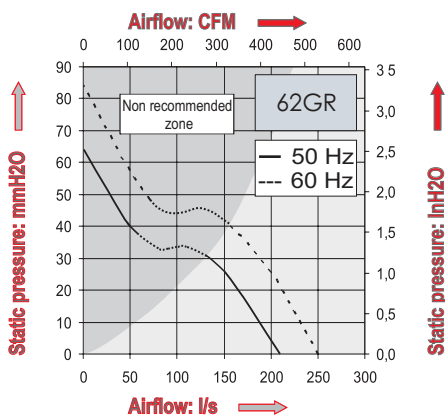
L-10 LIFE AT 40°C:  
25 000 hours

**AC Motor**

Housing material: aluminium  
Impeller material: aluminium  
Weight: 6,95 kg  
Bearing system: ball bearings

**Available with:**

- Safety switch
- Terminal block
- Plastic impeller (61GR model)



Part Number	Nominal voltage	Airflow	Noise level	Nominal speed	Frequency	Phases	Capacitor (not included)	Input power	Nominal Current	Starting Current	Connection type		Operating temperature	
	V	l/s	dB(A)	RPM	Hz		µF	W	mA	mA	Leads	Terminals	Min.°C	Max.°C
62GR116DC13	220	210	69	2900	50	3		74	550	2250	X		-10	70
	380	210	69	2900	50	3		74	320	1300	X		-10	70
	220	250	73	3400	60	3		86	370	2100	X		-10	70
	380	250	73	3400	60	3		86	215	1200	X		-10	70
	220	210	69	2900	50	1	5,7	73	520	1900	X		-10	70
	380	210	69	2900	50	1	2	73	300	1100	X		-10	70
	220	250	73	3400	60	1	5,7	90	410	1750	X		-10	70
	380	250	73	3400	60	1	2	90	235	1000	X		-10	70

**Additional versions:**

Salt spray protected - Shock and vibration protected - Marine specifications  
Wide temperature range - Other voltages (consult factory)

**Accessories:**

Refer to Accessories leaflet



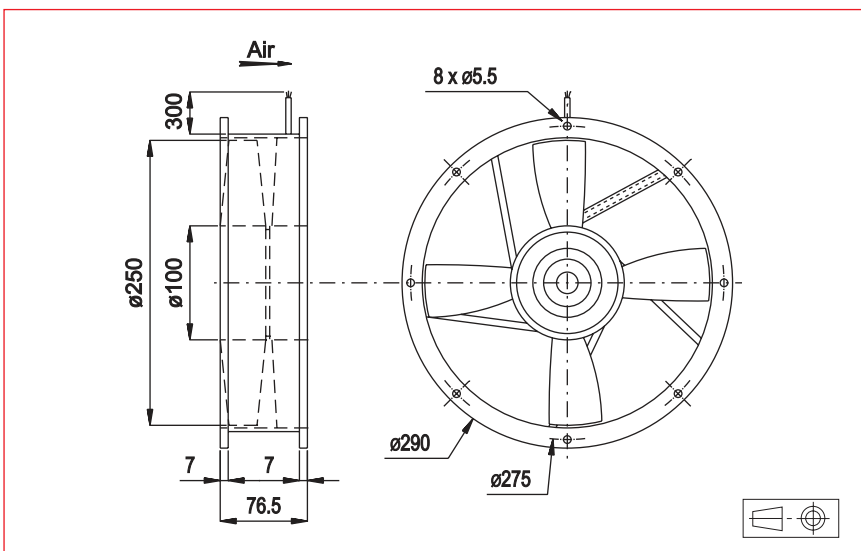
### Approvals

CE, NATO codification

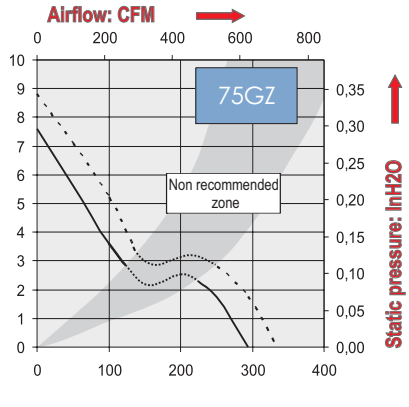
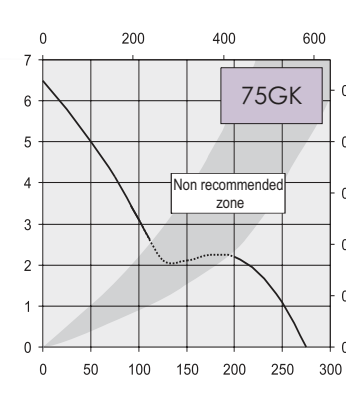
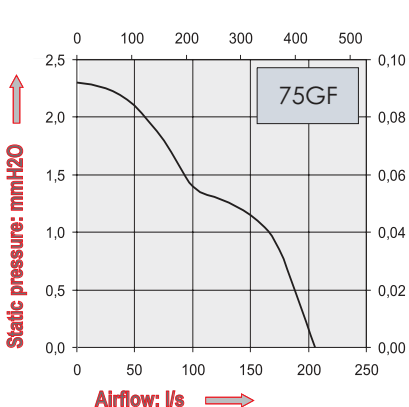
### Life expectancy

L-10 LIFE AT 40°C:  
25 000 hours

# Ø 290 x 76,5 mm



**AC Motor**  
 Housing material: aluminium  
 Impeller material: plastic  
 Weight: 2,9 kg  
 Bearing system: ball bearings



Part Number	Nominal voltage	Airflow	Noise level	Nominal speed	Frequency	Phases	Capacitor (not included)	Input power	Nominal Current	Starting Current	Connection type		Operating temperature	
	V	l/s	dB(A)	RPM	Hz		µF	W	mA	mA	Leads	Terminals	Min.°C	Max.°C
75GF026AC11	110	206	45	1000	50	1		28	370	470	X		-10	55
	220	206	45	1000	50	1		28	185	235	X		-10	55
75GK026AC11	110	275	54	1350	50	1		41	610	1150	X		-10	55
	220	275	54	1350	50	1		41	305	575	X		-10	55
75GZ026DC13	220	290	55	1400	50	3		38	155	385	X		-10	70
	380	290	55	1400	50	3		38	90	225	X		-10	70
	220	330	58	1600	60	3		40	145	355	X		-10	70
	380	330	58	1600	60	3		40	85	210	X		-10	70
	220	290	55	1400	50	1	2,2	34	165	330	X		-10	70
	380	290	55	1400	50	1	0,69	34	100	200	X		-10	70
	220	320	58	1600	60	1	2,2	42	210	320	X		-10	70
	380	320	58	1600	60	1	0,69	42	125	190	X		-10	70

**Additional versions:** Salt spray protected - Shock and vibration protected - Marine specifications  
 Wide temperature range - Other voltages (consult factory)

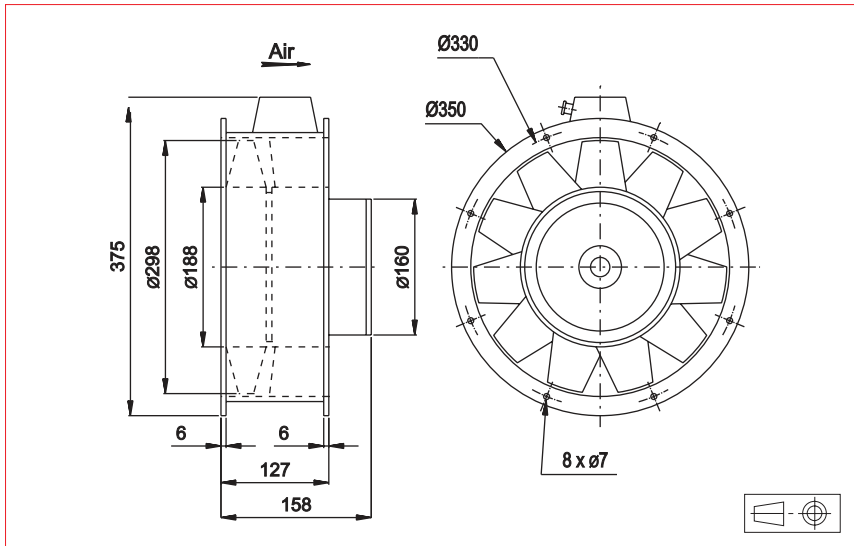
**Accessories:** Refer to Accessories leaflet



**Ø 350 x 158 mm**

**ETRI®**

AC High Performance Fans



**Approvals**

CE, NATO codification

**Life expectancy**

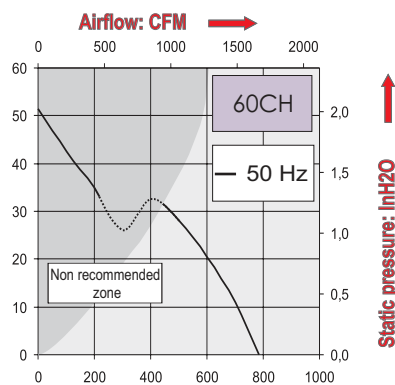
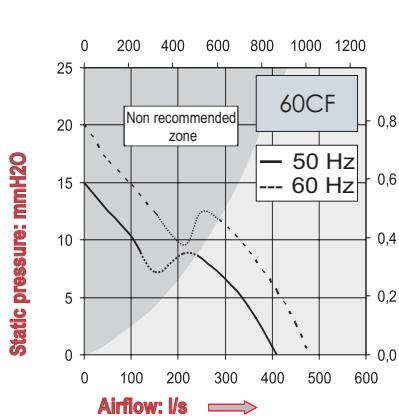
L-10 LIFE AT 40°C:  
25 000 hours

**AC Motor**

Housing material: aluminium  
Impeller material: aluminium  
Weight: 10,25 kg to 11 kg  
Bearing system: ball bearings

**Available with:**

- Safety switch



Part Number	Nominal voltage	Airflow	Noise level	Nominal speed	Frequency	Phases	Capacitor (not included)	Input power	Nominal Current	Starting Current	Connection type		Operating temperature	
	V	l/s	dB(A)	RPM	Hz		µF	W	mA	mA	Leads	Terminals	Min.°C	Max.°C
60CF016DC13	220	410	61	1450	50	3		64	370	2000	X	X	-10	70
	380	410	61	1450	50	3		64	210	1150	X	X	-10	70
	220	480	65	1700	60	3		83	330	1800	X	X	-10	70
	380	480	65	1700	60	3		83	190	1050	X	X	-10	70
	220	410	61	1450	50	1	6,9	67	320	1700	X	X	-10	70
	380	410	61	1450	50	1	2,2	67	190	980	X	X	-10	70
60CH016DC13	220	480	65	1700	60	1	6,9	102	470	1600	X	X	-10	70
	380	480	65	1700	60	1	2,2	102	270	930	X	X	-10	70
	220	780	79	2700	50	3		406	1500	6300	X	X	-10	70
	380	780	79	2700	50	3		406	870	3600	X	X	-10	70
	220	775	79	2700	50	1	20	400	1900	5000	X	X	-10	70
	380	775	79	2700	50	1	6,9	400	1100	3000	X	X	-10	70

**Additional versions:**

Salt spray protected - Shock and vibration protected - Marine specifications  
Wide temperature range - Other voltages (consult factory)

**Accessories:**

Refer to Accessories leaflet

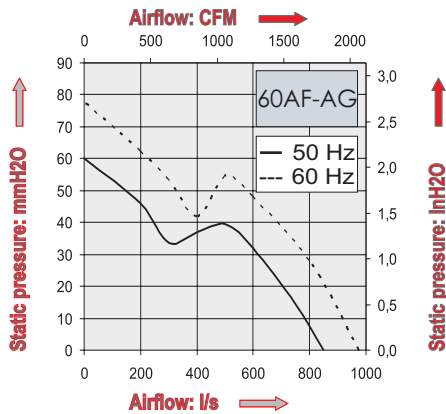


### Approvals

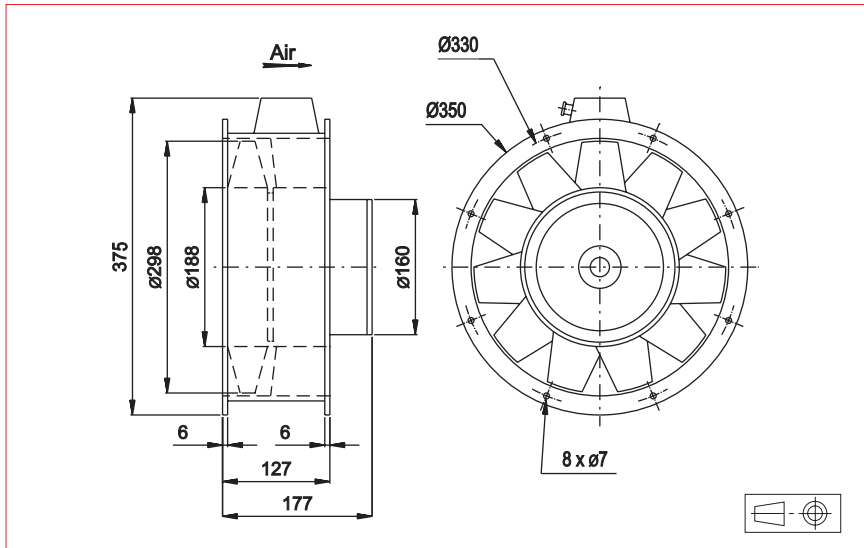
CE, NATO codification

### Life expectancy

L-10 LIFE AT 40°C:  
25 000 hours



## Ø 350 x 177 mm



**AC Motor**  
Housing material:  
Impeller material:  
Weight: 13 kg  
Bearing system: ball bearings

**Available with:**  
- Safety switch

Part Number	Nominal voltage	Airflow	Noise level	Nominal speed	Frequency	Phases	Capacitor (not included)	Input power	Nominal Current	Starting Current	Connection type		Operating temperature	
	V	l/s	dB(A)	RPM	Hz		µF	W	mA	mA	Leads	Terminals	Min.°C	Max.°C
60AF026DC13	220	850	82	2900	50	3		385	1700	14000		X	-10	70
	380	850	82	2900	50	3		385	1000	8100		X	-10	70
	220	975	86	3350	60	3		555	1800	12200		X	-10	70
	380	975	86	3350	60	3		555	1050	7100		X	-10	70
60AG0261C13	127	850	82	2900	50	1		445	4450	25000		X	-10	70
	220	850	82	2900	50	1		445	2550	14500		X	-10	70
	127	975	86	3350	60	1		580	4700	14500		X	-10	70
	220	975	86	3350	60	1		580	2700	13000		X	-10	70

**Additional versions:**  
Salt spray protected - Shock and vibration protected - Marine specifications  
Wide temperature range - Other voltages (consult factory)

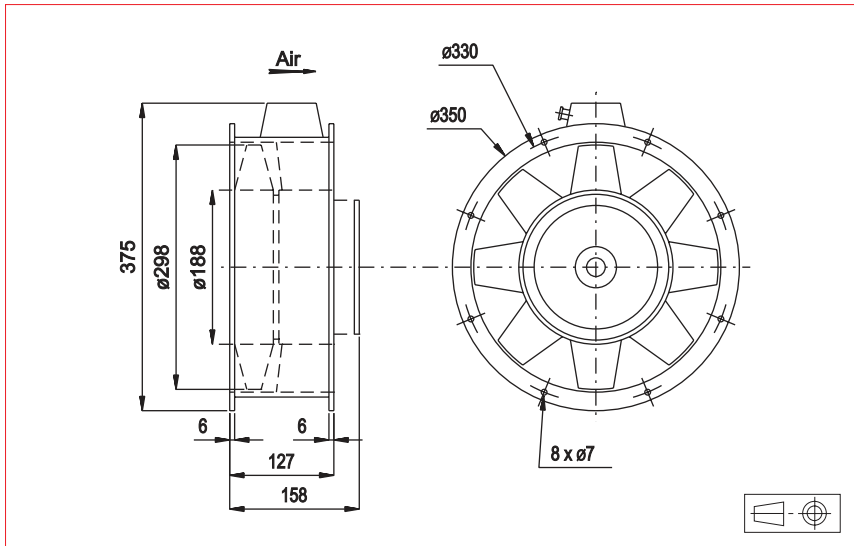
**Accessories:**  
Refer to Accessories leaflet



**Ø 350 x 158 mm**

**ETRI®**

AC High Performance Fans



**Approvals**

CE, NATO codification

**Life expectancy**

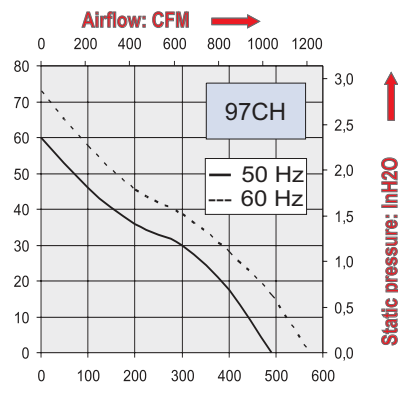
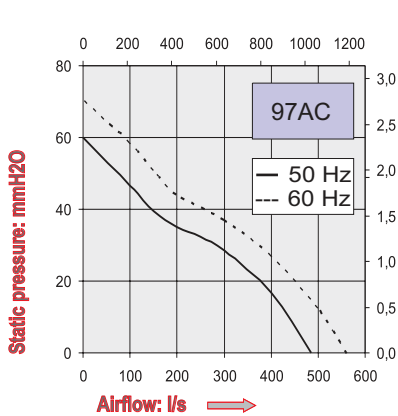
L-10 LIFE AT 40°C:  
25 000 hours

**AC Motor**

Housing material: aluminium  
Impeller material: aluminium  
Weight: 11 kg  
Bearing system: ball bearings

**Available with:**

- Safety switch



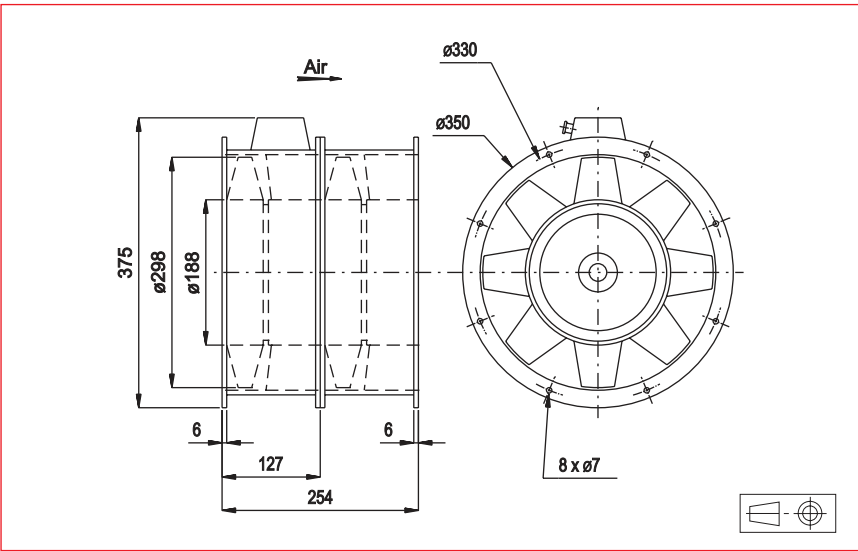
Part Number	Nominal voltage	Airflow	Noise level	Nominal speed	Frequency	Phases	Capacitor (not included)	Input power	Nominal Current	Starting Current	Connection type		Operating temperature	
	V	l/s	dB(A)	RPM	Hz		µF	W	mA	mA	Leads	Terminals	Min.°C	Max.°C
97AC0161C13	127	485	73	2850	50	1	20	165	1300	5200	X	X	-10	70
	220	485	73	2700	50	1	6,9	220	740	3600	X	X	-10	70
	127	560	76	3250	60	1	20	400	1700	5700	X	X	-10	70
	220	550	76	3250	60	1	6,9	400	1050	3300	X	X	-10	70
97CH016DC13	220	490	73	2850	50	3		136	490	3300	X	X	-10	70
	380	490	73	2850	50	3		136	280	1900	X	X	-10	70
	220	570	76	3300	60	3		198	600	2800	X	X	-10	70
	380	570	76	3300	60	3		198	350	1500	X	X	-10	70

**Additional versions:**

Salt spray protected - Shock and vibration protected - Marine specifications  
Wide temperature range - Other voltages (consult factory)

**Accessories:**

Refer to Accessories leaflet



**Approvals**

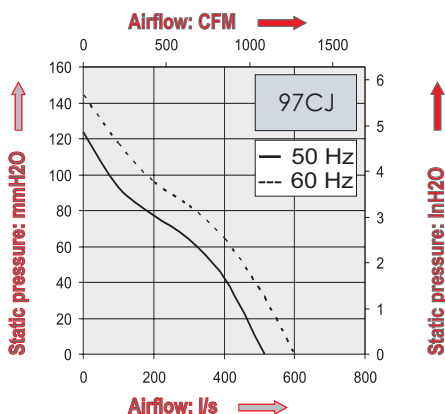
CE

**Life expectancy**

L-10 LIFE AT 40°C:  
25 000 hours

**AC Motor**  
Housing material: aluminium  
Impeller material: aluminium  
Weight: 17 kg  
Bearing system: ball bearings

**Available with :**  
- Safety switch



Part Number	Nominal voltage	Airflow	Noise level	Nominal speed	Frequency	Phases	Capacitor (not included)	Input power	Nominal Current	Starting Current	Connection type		Operating temperature	
	V	l/s	dB(A)	RPM	Hz		µF	W	mA	mA	Leads	Terminals	Min.°C	Max.°C
97CJ116DC13	220	514	81	2850	50	3		306	1450	6800		X	-10	70
	380	514	81	2850	50	3		306	850	4000		X	-10	70
	220	600	84	3300	60	3		344	1100	6000		X	-10	70
	380	600	84	3300	60	3		344	650	3500		X	-10	70

**Additional versions:**  
Salt spray protected - Shock and vibration protected - Marine specifications  
Wide temperature range - Other voltages (consult factory)

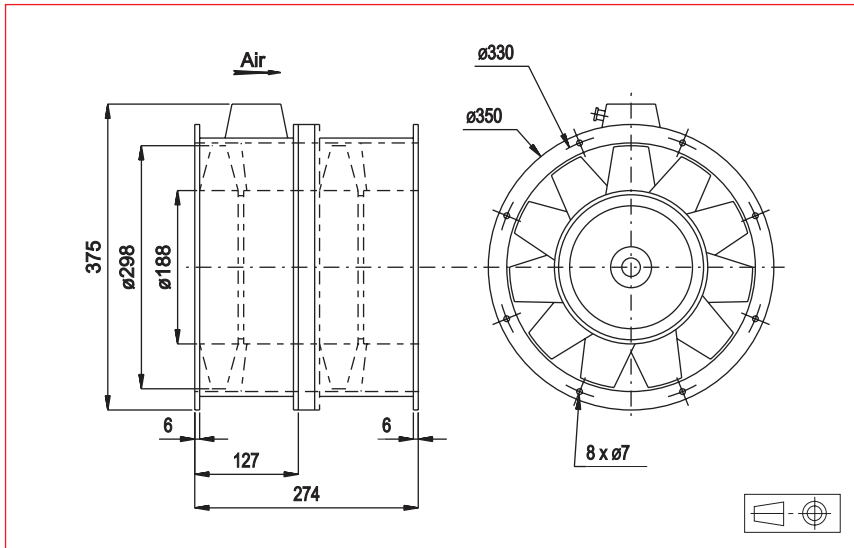
**Accessories:**  
Refer to Accessories leaflet



**Ø 350 x 274 mm**

**ETRI®**

AC High Performance Fans



**Approvals**

CE

**Life expectancy**

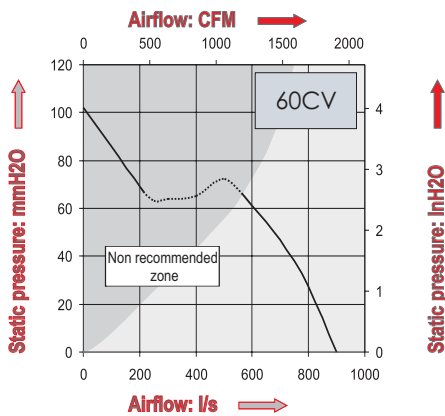
L-10 LIFE AT 40°C:  
25 000 hours

**AC Motor**

Housing material: aluminium  
Impeller material: aluminium  
Weight: 20,25 kg  
Bearing system: ball bearings

**Available with:**

- Safety switch



Part Number	Nominal voltage	Airflow	Noise level	Nominal speed	Frequency	Phases	Capacitor (not included)	Input power	Nominal Current	Starting Current	Connection type		Operating temperature	
	V	l/s	dB(A)	RPM	Hz		µF	W	mA	mA	Leads	Terminals	Min.°C	Max.°C
60CV216DC13	220	900	87	2800	50	3		640	2200	14000		X	-10	70
	380	900	87	2800	50	3		640	1300	8000		X	-10	70

**Additional versions:**  
Salt spray protected - Shock and vibration protected - Marine specifications  
Wide temperature range - Other voltages (consult factory)

**Accessories:**  
Refer to Accessories leaflet



#### A key partner in cooling solutions

ETRI's comprehensive fan line includes over 7000 fans which operate under a wide variety of voltages and frequencies. Thanks to extensive designing and testing equipment, our engineers are able to offer the best technical solution suitable to various applications, such as industrial, electronics, telecom, railway or military.

#### High quality fans

ETRI has been known for more than 60 years as a global leader in cooling products, and carries on its tradition of excellence using innovative designs and materials to produce high quality fans and blowers, through its ISO 9002 certified manufacturing plant. Most of ETRI fans are UL and CSA approved, and according to the European directives, they comply with EMI and electrical safety standards. Certificates are available on request.

#### An international presence

ETRI offers an international presence through its network of local offices (Europe & USA) distributors and representative offices in more than 50 countries. Complete list is available on our web site.

#### Votre partenaire en ventilation

Avec plus de 7000 références, ETRI propose une large gamme de ventilateurs répondant aux exigences les plus sévères pour des applications industrielles, électroniques, ferroviaires ou militaires. La gamme de produits standard est régulièrement complétée par des développements spécifiques réalisés sur cahier des charges.

#### Le choix de la qualité

ETRI vous apporte la réponse adaptée à vos besoins en vous proposant des solutions innovantes dans le domaine de la ventilation industrielle tout en garantissant les meilleurs niveaux de qualité. Les ventilateurs ETRI sont pour la plupart homologués UL et CSA, et conformément aux directives européennes, répondent aux normes EMI et de sécurité électrique. Les certificats sont disponibles sur simple demande.

#### Une présence internationale

Grâce à ses agences implantées en Europe et aux Etats-Unis, et à son large réseau de distributeurs, ETRI vous offre une présence internationale dans plus de 50 pays. La liste complète de nos représentants est disponible sur notre site internet.

[www.etrinet.com](http://www.etrinet.com)

Votre agence locale ou distributeur / Your local agency or distributor:



#### About Rosenberg...

Rosenberg is a competitive medium sized company with around 1400 employees worldwide.

During the last 25 years the Rosenberg group has been complemented in Europe by six additional works in France, Italy, Hungary, Czech Republic and Germany, in addition to the numerous subsidiaries and partners around the world.

Our aim is for high quality production backed by top class service for our clients. Thus a continuous flow of information and good cooperation between you, our dear customers, and us is most important, to jointly achieve a continuous evolution of our products and their quality.

#### A propos de Rosenberg...

Rosenberg est une entreprise performante à taille humaine qui emploie environ 1400 collaborateurs dans le monde entier.

Durant ces 25 dernières années, le Groupe Rosenberg s'est développé en Europe avec 6 nouvelles implantations en France, Italie, Hongrie, République Tchèque ainsi qu'en Allemagne, en plus des nombreux partenaires et distributeurs déjà présents à l'échelle mondiale.

Notre objectif est d'assurer un très haut niveau de qualité de produits doublé d'un service clients irréprochable.

De ce fait, maintenir une communication constante et une bonne coopération entre vous, nos chers clients, et nous, est la condition clé pour le développement de nos produits et de notre savoir-faire.

**Rosenberg USA**  
1010 Forsyth Avenue  
Indian Trail, North Carolina 28079  
Tel: +1-704/893-0883  
Fax: +1-704/882-0755  
E-mail: [sales@rosenbergusa.com](mailto:sales@rosenbergusa.com)

**ETRI FRANCE**  
Z.I. Sud - Rue Marc Seguin - BP 60008  
F-41101 VENDOME  
Tel.: +33 (0)2 54 23 14 54  
Fax: +33 (0)2 54 72 22 73  
E-mail: [info@etrinet.com](mailto:info@etrinet.com)