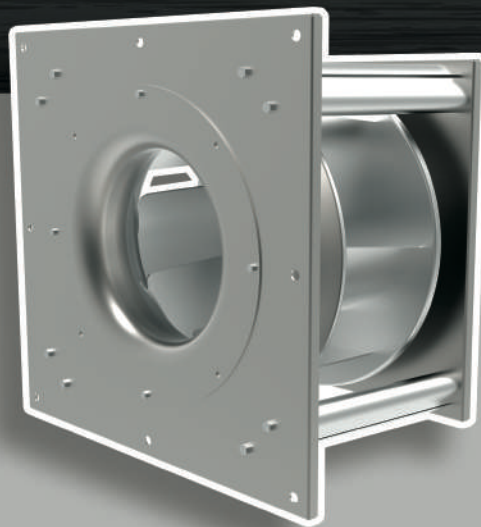
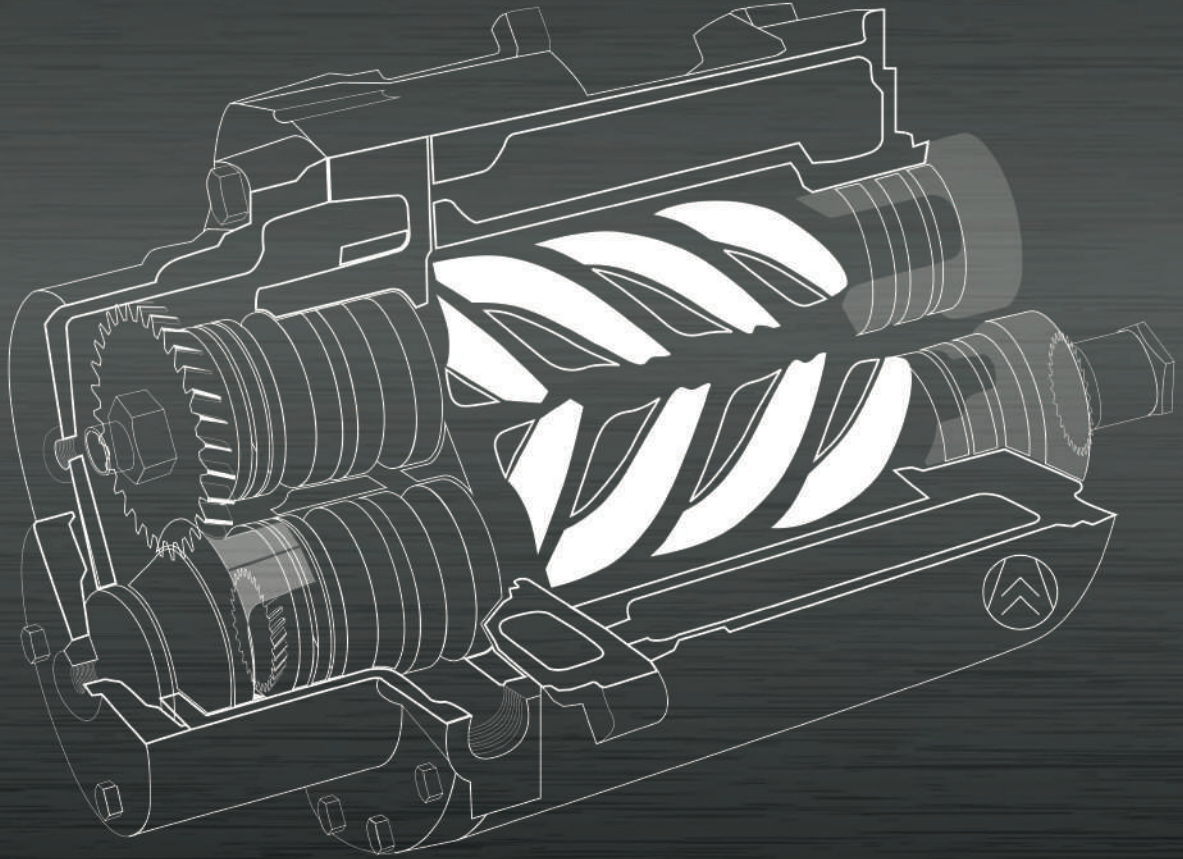


EC Fans for Compressor Cooling



rosenberg
THE AIR MOVEMENT GROUP
CANADA

ECO FIT
ETRI



The Rosenberg Group

Air conditioning and ventilation technology
is our world



Air is our element – **moving it intelligently and efficiently** is our passion.

Since 1981 we have been developing and producing adjustable external rotor motors, fans and air handling units.

Established

1981

Employees

350 in Germany
Approx. 1,400 worldwide

Production sites

Germany, Hungary, Czech Republic,
Italy, France, China, Slovakia

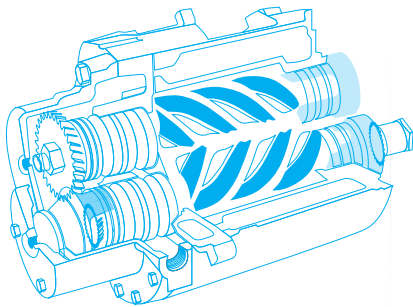
**Development centres
(certified laboratory)**

Germany, France,
Hungary and China

**Subsidiaries
and Partners**

ROX Klimatechnik GmbH,
ECOFIT, ETRI, Airtècnics





Compressor Cooling

Gas compression for the generation of compressed air produces heat, which must be dissipated to protect the unit. In sound-insulated screw compressors, energy-efficient radial fans from Rosenberg ensure the necessary cooling air. Normally, the waste heat is discharged into the open air via ducts. Alternatively it can be integrated into a recirculation or heat recovery system, especially in cold weather.



DKHM

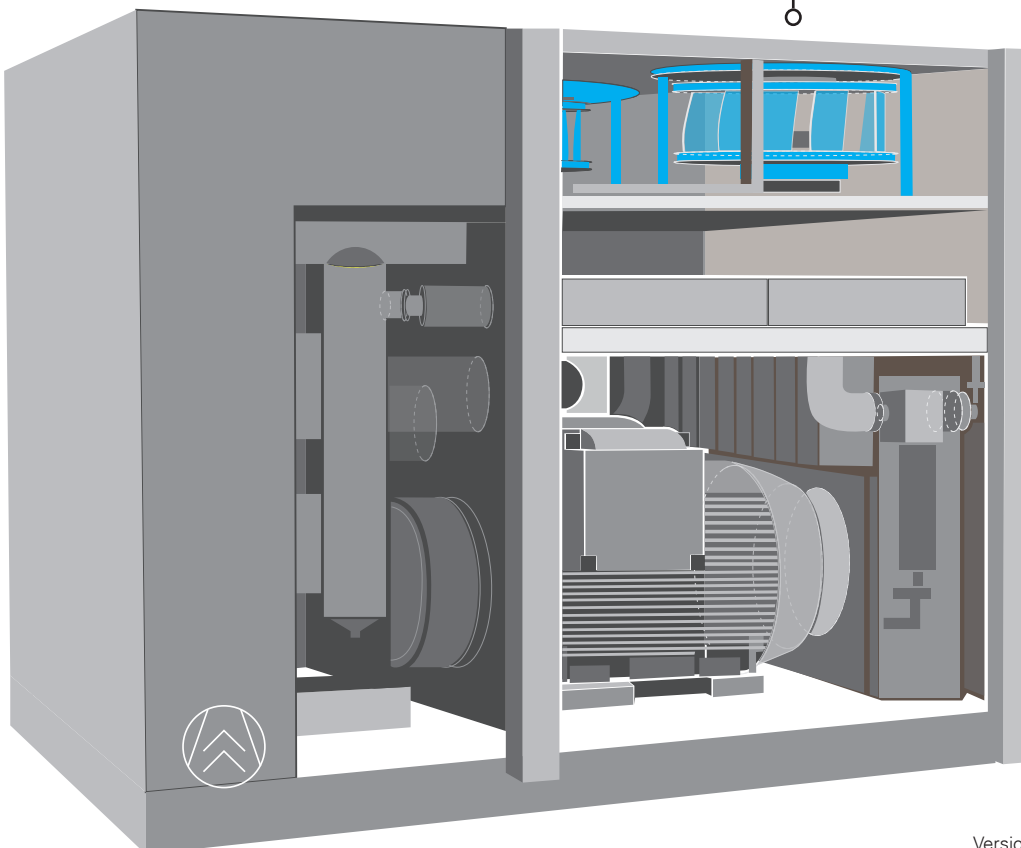


DKHR
Notice: Illustration with cone

Centrifugal Fans Type: DKHM / DKHR

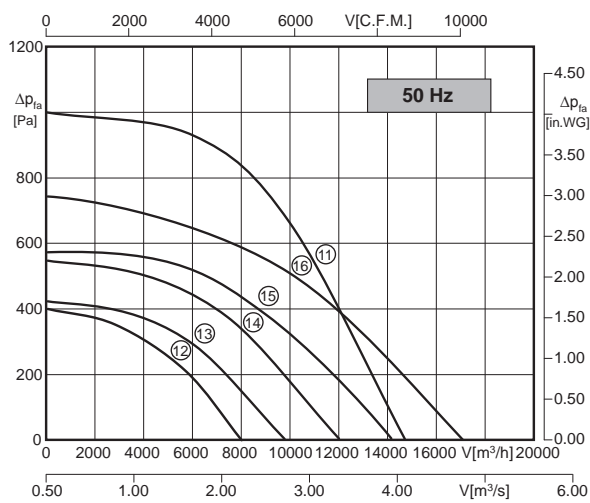
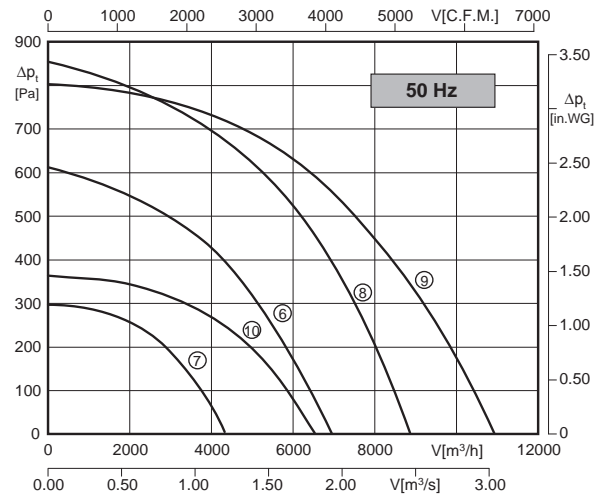
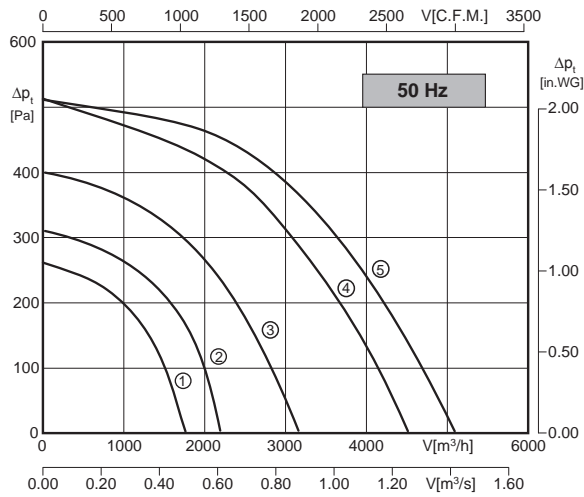
- With robust asynchronous external rotor motor
- Max. temperature of flow medium up to 80°C possible
- backward curved high efficiency impeller
- available as motor-impeller unit (DKHR) or ready-to-install modules (DKHM).
- Compact, space saving design
- Air volume up to approx. 15,000 m³/h (more power on request)
- Total pressure up to 1,000 Pa possible
- Very low noise

Application field: compressor cooling



Centrifugal fans with free running impeller

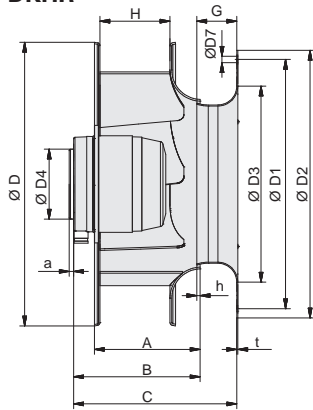
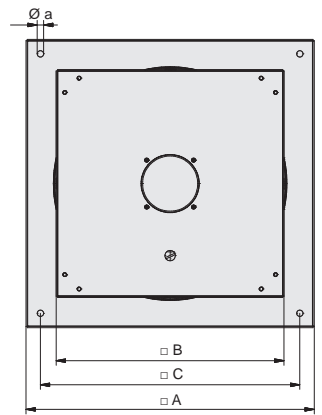
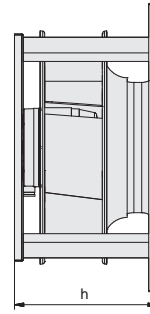
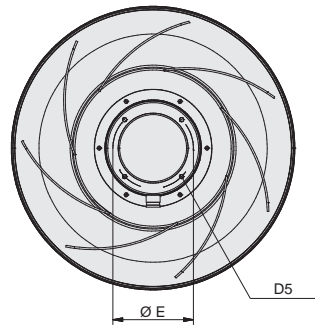
Type: DKHM / DKHR



DKH

| No. | Size | Fan Type | U [V] | f [Hz] | P [kW] | n [min ⁻¹] | I _N [A] | L _{wA} [dB(A)] | FMT [°C] |
|-----|------|---------------------|-------|--------|--------|------------------------|--------------------|-------------------------|----------|
| 1 | 280 | DKH_280-4SB.090.4FF | 400V | 50 | 0,13 | 1425 | 0,36 | 64 | 80 |
| 2 | 315 | DKH_315-4SB.090.4EC | 400V | 50 | 0,2 | 1380 | 0,43 | 67 | 70 |
| 3 | 355 | DKH_355-4SB.100.5DF | 400V | 50 | 0,29 | 1310 | 0,62 | 74 | 80 |
| 4 | 400 | DKH_400-4SB.112.5FA | 400V | 50 | 0,54 | 1370 | 1,1 | 74 | 70 |
| 5 | 400 | DKH_400-4SB.140.5HA | 400V | 50 | 0,65 | 1385 | 1,4 | 76 | 70 |
| 6 | 450 | DKH_450-4SB.140.6FA | 400V | 50 | 1,05 | 1350 | 2,0 | 79 | 80 |
| 7 | 450 | DKH_450-6SB.125.5HA | 400V | 50 | 0,38 | 945 | 1,1 | 70 | 80 |
| 8 | 500 | DKH_500-4SB.140.6LA | 400V | 50 | 1,64 | 1390 | 3,2 | 83 | 80 |
| 9 | 500 | DKH_500-4SB.180.6LA | 400V | 50 | 1,92 | 1370 | 3,37 | - | 80 |
| 10 | 500 | DKH_500-6SB.140.6FA | 400V | 50 | 0,57 | 940 | 1,3 | 76 | 80 |
| 11 | 560 | DKH_560-4SB.180.7KF | 400V | 50 | 3,15 | 1410 | 5,8 | 89 | 80 |
| 12 | 560 | DKH_560-6SB.160.6FA | 400V | 50 | 0,71 | 840 | 1,55 | - | 80 |
| 13 | 560 | DKH_560-6SB.180.6HF | 400V | 50 | 0,93 | 905 | 1,95 | 78 | 80 |
| 14 | 630 | DKH_630-6SB.160.6LA | 400V | 50 | 1,34 | 890 | 2,65 | 77 | 70 |
| 15 | 630 | DKH_630-6SB.224.7NA | 400V | 50 | 1,91 | 950 | 4,25 | 81 | 80 |
| 16 | 710 | DKH_710-6SB.200.7NA | 400V | 50 | 2,6 | 900 | 5,1 | 85 | 80 |

Notice: special voltage possible. Measurement according to ISO 13347-3. The free-outlet sound power level L_{w(A)B} is depicted at V=0,5 *V_{max}.

DKHR

DKHM


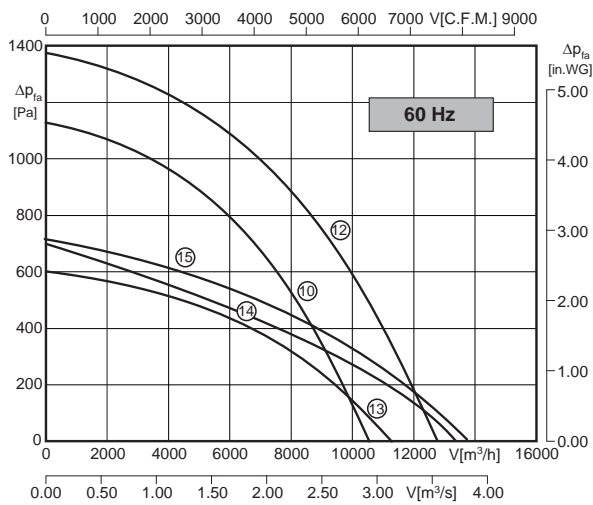
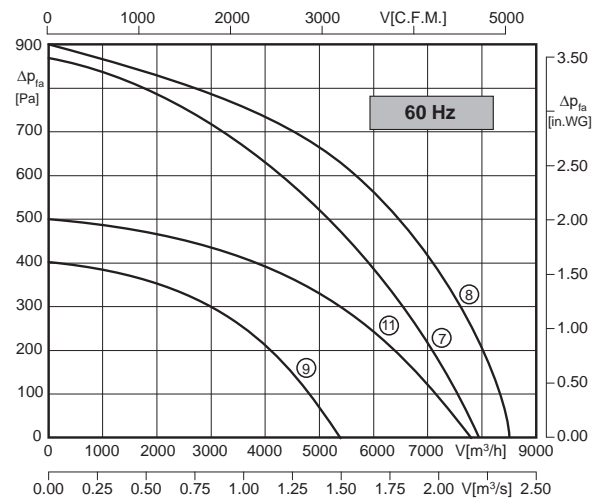
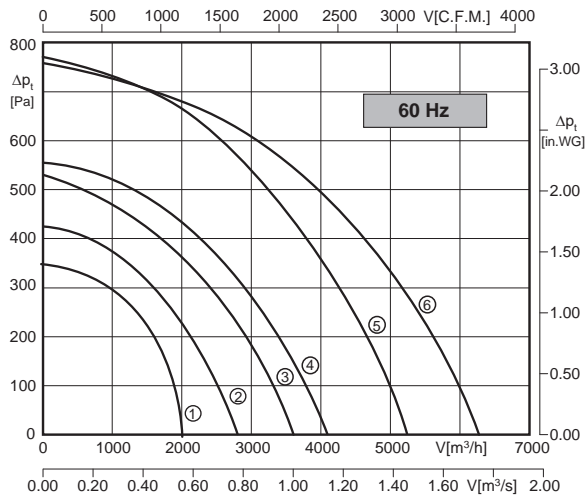
| Fan Type | A | B | C | H | D | a | D4 | D5 | E | h | D3 | D2 | D1 | D7 | G | t |
|-----------------------------|-----|-----|-----|-----|-----|-----|-----|--------|-----|-----|-----|-----|-----|------|-----|-----|
| DKHR 280-4SB.090.4FF | 131 | 158 | 200 | 90 | 318 | 2,5 | 75 | M6x10 | 90 | 3,6 | 220 | 307 | 286 | 9* | 45 | 1,5 |
| DKHM 280-4SB.090.4FF | 430 | 320 | 390 | | | | | | | 215 | | | | | | |
| DKHR 315-4SB.090.4EC | 136 | 163 | 210 | 90 | 360 | 2,5 | 75 | M6x10 | 90 | 4 | 248 | 348 | 320 | 9* | 51 | 1,5 |
| DKHM 315-4SB.090.4EC | 500 | 360 | 450 | | | 11 | | | | 225 | | | | | | |
| DKHR 355-4SB.100.5DF | 151 | 181 | 233 | 100 | 405 | 6,5 | 100 | M6x12 | 115 | 4,5 | 280 | 382 | 356 | 11* | 57 | 1,5 |
| DKHM 355-4SB.100.5DF | 500 | 395 | 450 | | | 11 | | | | 248 | | | | | | |
| DKHR 400-4SB.112.5FA | 170 | 198 | 256 | 112 | 455 | 6,5 | 100 | M6x12 | 115 | 5,2 | 313 | 422 | 395 | 11** | 63 | 2 |
| DKHM 400-4SB.112.5FA | 500 | 420 | 450 | | | 11 | | | | 271 | | | | | | |
| DKHR 450-4SB.140.6FA | 204 | 244 | 310 | 140 | 510 | 6 | 140 | M10x20 | 162 | 5,9 | 352 | 464 | 438 | 11** | 72 | 2 |
| DKHM 450-4SB.140.6FA | 630 | 535 | 580 | | | 14 | | | | 325 | | | | | | |
| DKHR 450-6SB.125.5HA | 189 | 217 | 283 | 125 | 510 | 6,5 | 100 | M6x12 | 115 | 5,9 | 352 | 464 | 438 | 11** | 72 | 2 |
| DKHM 450-6SB.125.5HA | 630 | 535 | 580 | | | 14 | | | | 298 | | | | | | |
| DKHR 500-4SB.140.6LA | 210 | 250 | 324 | 140 | 570 | 6 | 140 | M10x20 | 162 | 6,5 | 396 | 519 | 490 | 11** | 80 | 2 |
| DKHM 500-4SB.140.6LA | 700 | 585 | 650 | | | 14 | | | | 344 | | | | | | |
| DKHR 500-4SB.180.6LA | 250 | 290 | 364 | 180 | 570 | 6 | 140 | M10x20 | 162 | 6,5 | 396 | 519 | 490 | 11** | 80 | 2 |
| DKHM 500-4SB.180.6LA | 700 | 585 | 650 | | | 14 | | | | 384 | | | | | | |
| DKHR 500-6SB.140.6FA | 210 | 250 | 324 | 140 | 570 | 6 | 140 | M10x20 | 162 | 6,5 | 396 | 519 | 490 | 11** | 80 | 2 |
| DKHM 500-6SB.140.6FA | 700 | 585 | 650 | | | 14 | | | | 344 | | | | | | |
| DKHR 560-4SB.180.7KF | 257 | 304 | 387 | 180 | 635 | 7 | 160 | M12x20 | 190 | 7,3 | 444 | 564 | 541 | 11** | 90 | 2 |
| DKHM 560-4SB.180.7KF | 800 | 625 | 750 | | | 14 | | | | 402 | | | | | | |
| DKHR 560-6SB.160.6FA | 237 | 277 | 360 | 160 | 635 | 6 | 140 | M10x20 | 162 | 7,3 | 444 | 564 | 541 | 11** | 90 | 2 |
| DKHM 560-6SB.160.6FA | 800 | 625 | 750 | | | 14 | | | | 375 | | | | | | |
| DKHR 560-6SB.180.6HF | 257 | 297 | 380 | 180 | 635 | 6 | 140 | M10x20 | 162 | 7,3 | 444 | 564 | 541 | 11** | 90 | 2 |
| DKHM 560-6SB.180.6HF | 800 | 625 | 750 | | | 14 | | | | 395 | | | | | | |
| DKHR 630-6SB.160.6LA | 248 | 286 | 378 | 160 | 716 | 6 | 140 | M10x20 | 162 | 8,2 | 505 | 640 | 610 | 13** | 100 | 2,5 |
| DKHM 630-6SB.160.6LA | 800 | 700 | 750 | | | 14 | | | | 396 | | | | | | |
| DKHR 630-6SB.224.7NA | 312 | 357 | 449 | 224 | 716 | 7 | 160 | M12x20 | 190 | 8,2 | 505 | 640 | 610 | 13** | 100 | 2,5 |
| DKHM 630-6SB.224.7NA | 800 | 700 | 750 | | | 14 | | | | 469 | | | | | | |
| DKHR 710-6SB.200.7NA | 301 | 344 | 450 | 200 | 817 | 7 | 160 | M12x20 | 190 | 9,2 | 575 | 710 | 674 | 13** | 115 | 2,5 |
| DKHM 710-6SB.200.7NA | 900 | 810 | 850 | | | 18 | | | | 470 | | | | | | |

*6 x 60° / **8 x 45°

All dimensions in mm / individual adjustment possible

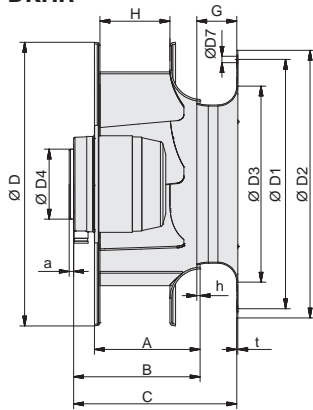
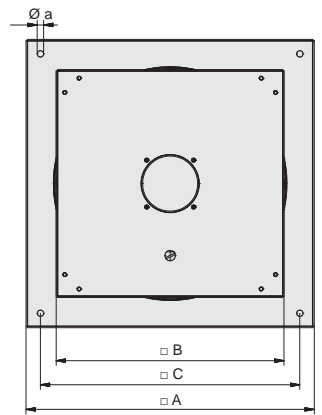
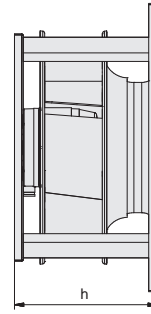
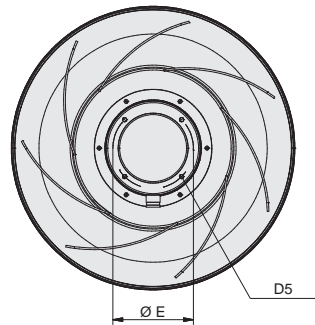
Centrifugal fans with free running impeller

Type: DKHM / DKHR



| No. | Size | Fan Type | U [V] | f [Hz] | P [kW] | n [min ⁻¹] | I _n [A] | Lw _A [dB(A)] | FMT [°C] |
|-----|------|---------------------|-------|--------|--------|------------------------|--------------------|-------------------------|----------|
| 1 | 280 | DKH_280-4SB.090.4FF | 460 | 60 | 0,19 | 1690 | 0,38 | 68 | 80 |
| 2 | 315 | DKH_315-4SB.100.4FF | 460 | 60 | 0,29 | 1580 | 0,48 | 71 | 70 |
| 3 | 355 | DKH_355-4SB.100.5DF | 460 | 60 | 0,45 | 1520 | 0,71 | 77 | 80 |
| 4 | 355 | DKH_355-4SB.112.5FA | 460 | 60 | 0,51 | 1660 | 0,90 | 76 | 80 |
| 5 | 400 | DKH_400-4SB.112.6DF | 460 | 60 | 0,87 | 1655 | 1,59 | 78 | 80 |
| 6 | 400 | DKH_400-4SB.140.6FA | 460 | 60 | 1,07 | 1680 | 1,85 | 80 | 80 |
| 7 | 450 | DKH_450-4SB.125.6FA | 460 | 60 | 1,24 | 1575 | 2,40 | 81 | 70 |
| 8 | 450 | DKH_450-4SB.140.6HF | 460 | 60 | 1,75 | 1660 | 2,80 | 82 | 80 |
| 9 | 450 | DKH_450-6SB.125.6DF | 460 | 60 | 0,52 | 1100 | 1,10 | 74 | 80 |
| 10 | 500 | DKH_500-4SB.140.6LA | 460 | 60 | 2,68 | 1630 | 3,95 | 86 | 70 |
| 11 | 500 | DKH_500-6SB.140.6FA | 460 | 60 | 0,83 | 1090 | 1,60 | 77 | 80 |
| 12 | 560 | DKH_560-4SB.140.7NA | 460 | 60 | 3,91 | 1645 | 6,30 | 90 | 70 |
| 13 | 560 | DKH_560-6SB.180.6LA | 460 | 60 | 1,55 | 1070 | 2,85 | 81 | 80 |
| 14 | 630 | DKH_630-6SE.155.6LA | 460 | 60 | 1,80 | 1045 | 2,85 | 82 | 70 |
| 15 | 630 | DKH_630-6SE.155.7KF | 460 | 60 | 1,83 | 1115 | 3,40 | 83 | 80 |

Notice: special voltage possible. Measurement according to ISO 13347-3. The free-outlet sound power level $L_{w(A)B}$ is depicted at $V=0,5 \cdot V_{max}$.

DKHR

DKHM


| Fan Type | A | B | C | H | D | a | D4 | D5 | E | h | D3 | D2 | D1 | D7 | G | t |
|-----------------------------|-----|-----|-----|-----|-----|-----|-----|--------|-----|-----|-------|-----|-----|------|----|-----|
| DKHR 280-4SB.090.4FF | 131 | 158 | 200 | 90 | 318 | 2,5 | 75 | M6x10 | 90 | 3,6 | 220 | 307 | 286 | 9* | 45 | 1,5 |
| DKHM 280-4SB.090.4FF | 430 | 320 | 390 | | | 11 | | | | 215 | | | | | | |
| DKHR 315-4SB.100.4FF | 143 | 173 | 220 | 100 | 360 | 2,5 | 75 | M6x10 | 90 | 4 | 248 | 348 | 320 | 9* | 51 | 1,5 |
| DKHM 315-4SB.100.4FF | 500 | 360 | 450 | | | 11 | | | | 235 | | | | | | |
| DKHR 355-4SB.100.5DF | 151 | 181 | 233 | 100 | 405 | 6,5 | 100 | M6x12 | 115 | 4,6 | 280 | 382 | 356 | 11** | 57 | 1,5 |
| DKHM 355-4SB.100.5DF | 500 | 395 | 450 | | | 11 | | | | 248 | | | | | | |
| DKHR 355-4SB.112.5FA | 163 | 193 | 246 | 112 | 405 | 6,5 | 100 | M6x12 | 115 | 4,6 | 280 | 382 | 356 | 11** | 57 | 1,5 |
| DKHM 355-4SB.112.5FA | 500 | 395 | 450 | | | 11 | | | | 260 | | | | | | |
| DKHR 400-4SB.112.6DF | 170 | 210 | 267 | 112 | 455 | 6 | 140 | M10x20 | 162 | 5,2 | 313 | 422 | 395 | 11** | 63 | 2 |
| DKHM 400-4SB.112.6DF | 500 | 420 | 450 | | | 11 | | | | 282 | | | | | | |
| DKHR 400-4SB.140.6FA | 198 | 238 | 295 | 140 | 455 | 6 | 140 | M10x20 | 162 | 5,2 | 313 | 422 | 395 | 11** | 63 | 2 |
| DKHM 400-4SB.140.6FA | 500 | 420 | 450 | | | 11 | | | | 310 | | | | | | |
| DKHR 450-4SB.125.6FA | 189 | 229 | 295 | 125 | 510 | 6 | 140 | M10x20 | 162 | 5,9 | 352,4 | 464 | 438 | 11** | 72 | 2 |
| DKHM 450-4SB.125.6FA | 630 | 535 | 580 | | | 14 | | | | 310 | | | | | | |
| DKHR 450-4SB.140.6HF | 204 | 244 | 310 | 140 | 510 | 6 | 140 | M10x20 | 162 | 5,9 | 352,4 | 464 | 438 | 11** | 72 | 2 |
| DKHM 450-4SB.140.6HF | 630 | 535 | 580 | | | 14 | | | | 325 | | | | | | |
| DKHR 450-6SB.125.6DF | 189 | 229 | 295 | 125 | 510 | 6 | 140 | M10x20 | 162 | 5,9 | 352,4 | 464 | 438 | 11** | 72 | 2 |
| DKHM 450-6SB.125.6DF | 630 | 535 | 580 | | | 14 | | | | 310 | | | | | | |
| DKHR 500-4SB.140.6LA | 210 | 250 | 324 | 140 | 570 | 6 | 140 | M10x20 | 162 | 6,5 | 396 | 519 | 490 | 11** | 80 | 2 |
| DKHM 500-4SB.140.6LA | 700 | 585 | 650 | | | 14 | | | | 344 | | | | | | |
| DKHR 500-6SB.140.6FA | 210 | 250 | 324 | 140 | 570 | 6 | 140 | M10x20 | 162 | 6,5 | 396 | 519 | 490 | 11** | 80 | 2 |
| DKHM 500-6SB.140.6FA | 700 | 585 | 650 | | | 14 | | | | 344 | | | | | | |
| DKHR 560-4SB.140.7NA | 217 | 264 | 347 | 140 | 635 | 7 | 160 | M12x20 | 190 | 7,3 | 444 | 564 | 541 | 11** | 90 | 2 |
| DKHM 560-4SB.140.7NA | 800 | 625 | 750 | | | 14 | | | | 362 | | | | | | |
| DKHR 560-6SB.180.6LA | 257 | 297 | 380 | 180 | 635 | 6 | 140 | M10x20 | 162 | 7,3 | 444 | 564 | 541 | 11** | 90 | 2 |
| DKHM 560-6SB.180.6LA | 800 | 625 | 750 | | | 14 | | | | 395 | | | | | | |
| DKHR 630-6SE.155.6LA | 257 | 304 | 382 | 155 | 668 | 6 | 140 | M10x20 | 162 | 6,3 | 514 | 560 | 540 | 9* | 84 | 2 |
| DKHM 630-6SE.155.6LA | 800 | 625 | 750 | | | 14 | | | | 397 | | | | | | |
| DKHR 630-6SE.155.7KF | 257 | 311 | 389 | 155 | 668 | 7 | 160 | M12x20 | 190 | 6,3 | 514 | 560 | 540 | 9* | 84 | 2 |
| DKHM 630-6SE.155.7KF | 800 | 625 | 750 | | | 14 | | | | 404 | | | | | | |

*6 x 60° / **8 x 45°

All dimensions in mm / individual adjustment possible

Rail technology

Rosenberg is one of the world's leading brands in railway technology. Rosenberg OEM Products are not only installed to air-condition driver's cabins and passenger compartments but also to cool switchboards, drive inverters and many other components.



Renewable Energies

Modified Rosenberg OEM Products offer an optimal solution for a great number of applications in wind power plants. Our Products ensure the steady cooling for generators, switchboards, transformers, converters and many other components.



Transformer cooling

Knowledge and experience - Rosenberg has been active in the transformer cooling sector for many years. Due to the close cooperation with well-known manufacturers, numerous fans have already been adapted to the needs of the industry.





Data Centers

Protecting data centers from overheating and humidity is one of the main tasks of fans within this application. Rosenberg OEM products with AC or EC drive guarantee a smooth and failsafe operation of the computer systems in an efficient manner.



Marine

Cruise Ships have a wide range of ventilation needs. Rosenberg OEM Products offer solutions for exhaust ventilation of elevators, restrooms, laundries or battery compartments as well as solutions for the use in HVAC applications dedicated to yachts and cruise ships cabins.



Packaging Industry

In highly complex packaging processes, it is essential to prevent a failure of the entire system. Therefore Rosenberg OEM products are used for cooling to ensure a trouble-free operation of various machines in industrial packaging processes.

Since its foundation in 1981 by Karl Rosenberg the Rosenberg Ventilatoren GmbH has emerged through its development and production of adjustable external rotor motors, fans, air handling units and control technology as an important center for Europe for the ventilation and air conditioning industry in Europe.

Customer-oriented and high-quality production is our top priority. The continuous information flow and a good cooperation between customers and our employees is very important to us to ensure quality and product innovation. Modern perfor-

mance testing, computer-controlled production machines and self-directed work groups are also included as well as the integration of measures for higher quality and environment protection.

At the headquarters in Künzelsau, Rosenberg employ 240 members of staff, with over 1.400 employees worldwide. Further Rosenberg production plants are located in Glaubitz (Germany), Waldmünchen (Germany), Hungary, Czech Republic, Italy, France, Slovakia, Turkey, Mexico and in China.



You can find more information on:
www.rosenbergcanada.com



Rosenberg Fans Canada Ltd.

1210 Mid-Way Blvd, Unit 20
Mississauga, Ontario, L5T 2B8

info@rosenbergcanada.com

(905) 565-0161

(905) 565-1038 (Head Office, ON)
(514) 592-7462 (QC, NS, NB, NF)
(403) 992-6042 (SK, AB, BC)

ECFanGrid

EC fans operating in parallel enable a simple plug and play solution for almost any ventilation requirement



The Rosenberg ECFanGrid Retrofit Kit is a complete system for retrofitting belt-driven or directly driven fans in existing plants. You benefit from all the advantages of an ECFanGrid. The kit is adaptable to your housing dimensions and contains all parts for the conversion: fans, switch cabinet, sheet metal parts and screws.



Advantages of an ECFanGrid

- High volume flows
- Redundancy (failsafe)
- Highly efficient EC-Technology
- Compact, flexible design and weight reduction
- Predestined for retrofitting in existing plants
- Simple setup of volume flow and pressure regulation
- Reduced low frequency noises
- Simple cleaning, maintenance and uncomplicated replacement

www.rosenbergcanada.com

