



2RREuB3 133x42R

E21-A4



DATA SHEET

release. d - Revision 04-2015

Voltage	Frequency	Input Power	Input Current	Capacitor	Airflow	Rotation speed	Acoustic level	Direction rotation	Admissible Temperature
V	Hz	W	A	µF	m³/h	RPM	dBA		Min/Max
115	50	34	0,32	4,0	320	2660	54		-40°C / +60°C
115	60	33	0,29	4,0	375	3135	57		-40°C / +70°C
115	50				188 CFM				-40°F / 140°F
115	60				220 CFM				-40°F / 158°F



dBA : free blowing

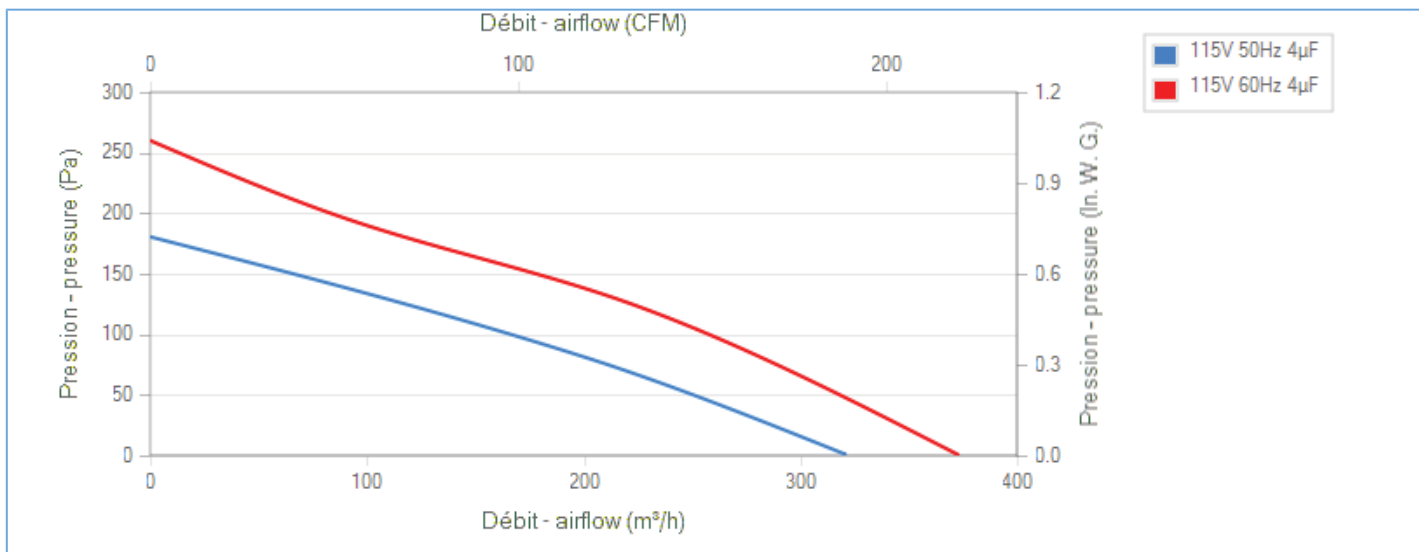
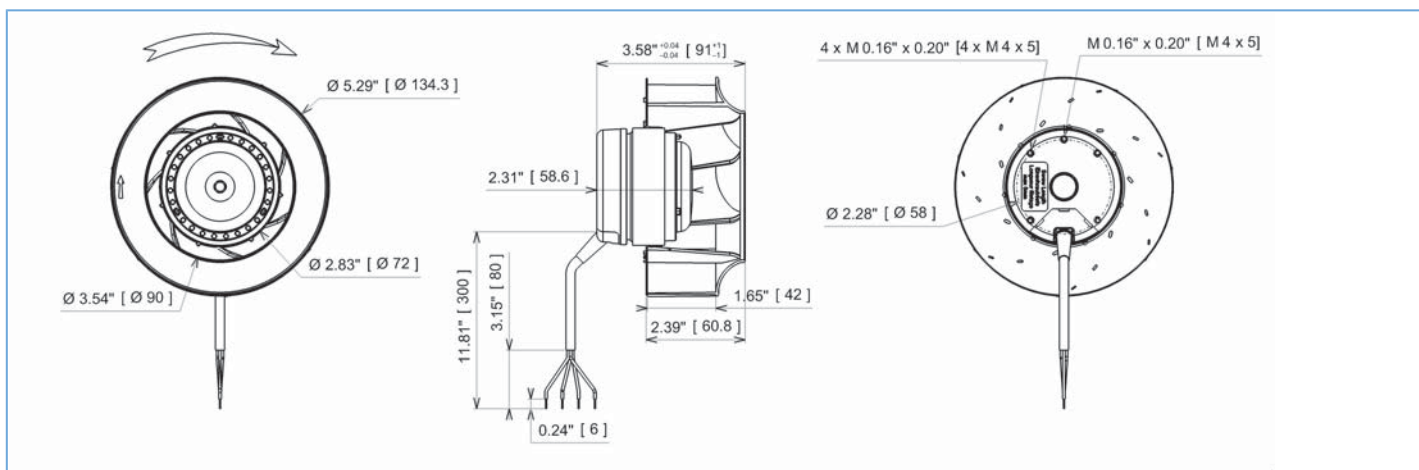
NA : not applicable

ErP 2013

NA

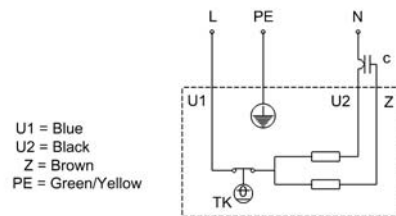
ErP 2015

NA



Description

- .Weight : 1,0 Kg
- .Ball bearing
- .Class F, thermally protected
- .IP44 protection depending on installation and position as per EN60034-5
- .G2.5 balancing
- .Rotor : black paint
- .PP UL 94 V-0 plastic impeller
- .Motor - UL Recognized component



Non contractual document. All specifications are subject to change without prior notice. Picture for information only.



2RREuB3 133x42R

E21-A4



DATA SHEET

release. d - Revision 04-2015

Data in accordance to ErP directive

Voltage	115	V
Frequency	50	Hz
Power	0,035	kW ⁽¹⁾
Airflow	169	m ³ /h ⁽¹⁾
Pressure	103	Pa ⁽¹⁾
Rotation speed	2622	RPM ⁽¹⁾

(1) at optimal efficiency point

ErP directive (EU 2009/125/EC) not applicable :
Power at optimum energy efficiency point

Accessories

19220

19220

21367

16203

Measurement setup

16201 Ouie 0S88 Tole XC

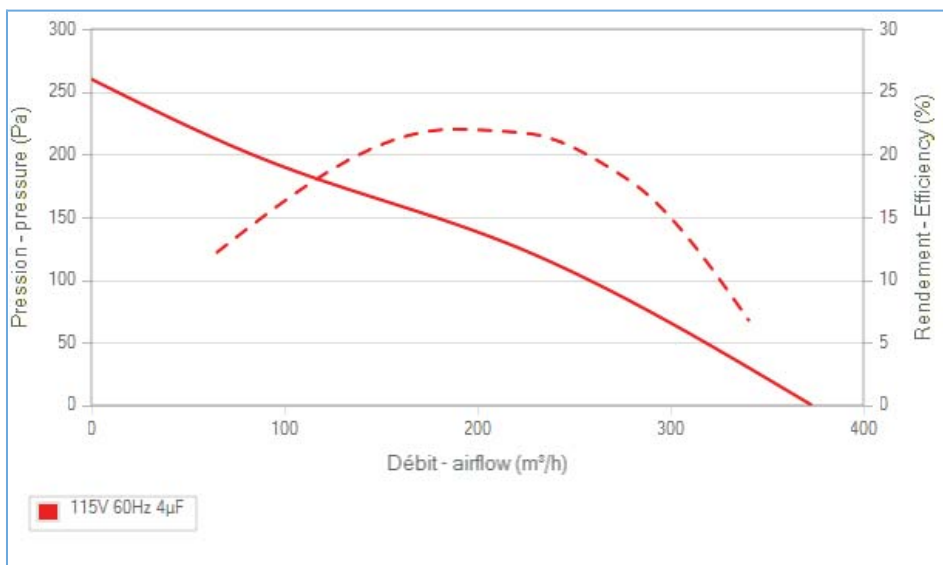
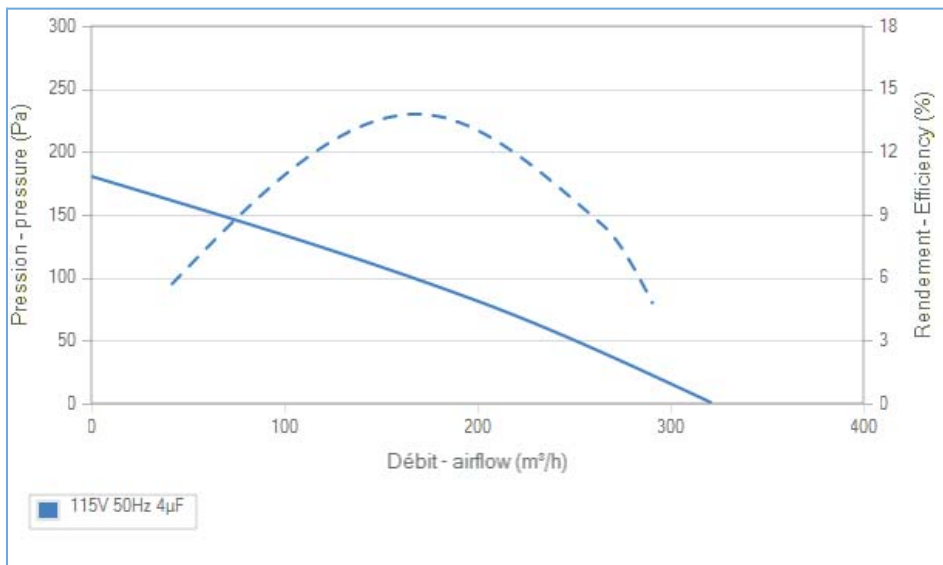
Documents

Manuel d'utilisation
www.ecofit.com/site/normes

Operating and recycling manual
www.ecofit.com/anglais/normes



UL2111 (XEWR2,8)
N° file E135223
2RS73



Non contractual document. All specifications are subject to change without prior notice. Picture for information only.



2RREu15 180x35R (115V) B12-A0 p



DATA SHEET

release. g - Revision 02-2016

Voltage	Frequency	Input Power	Input Current	Capacitor	Airflow	Rotation speed	Acoustic level	Direction rotation	Admissible Temperature
V	Hz	W	A	µF	m³/h	RPM	dBA		Min/Max
115	50	49	0,43	6,0	500	2610	59	R	-40°C / +70°C
115	60	60	0,53	6,0	560	2960	61	R	-40°C / +85°C
115	50				294 CFM				-40°F / 158°F
115	60				329 CFM				-40°F / 185°F



dBA : free blowing

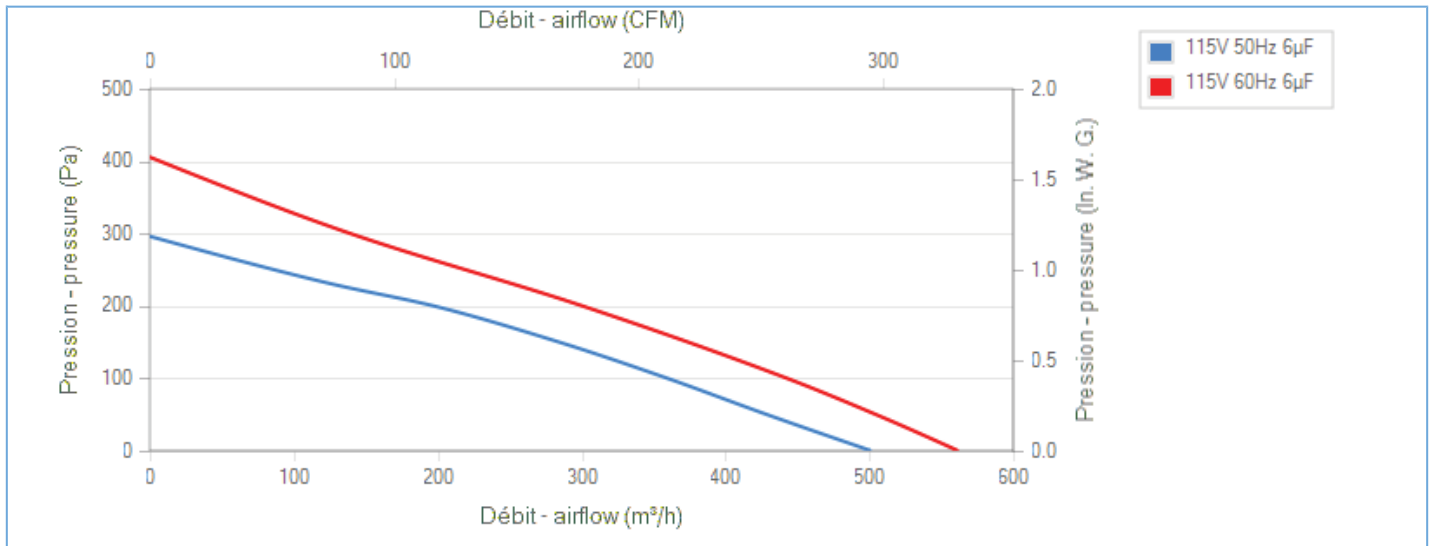
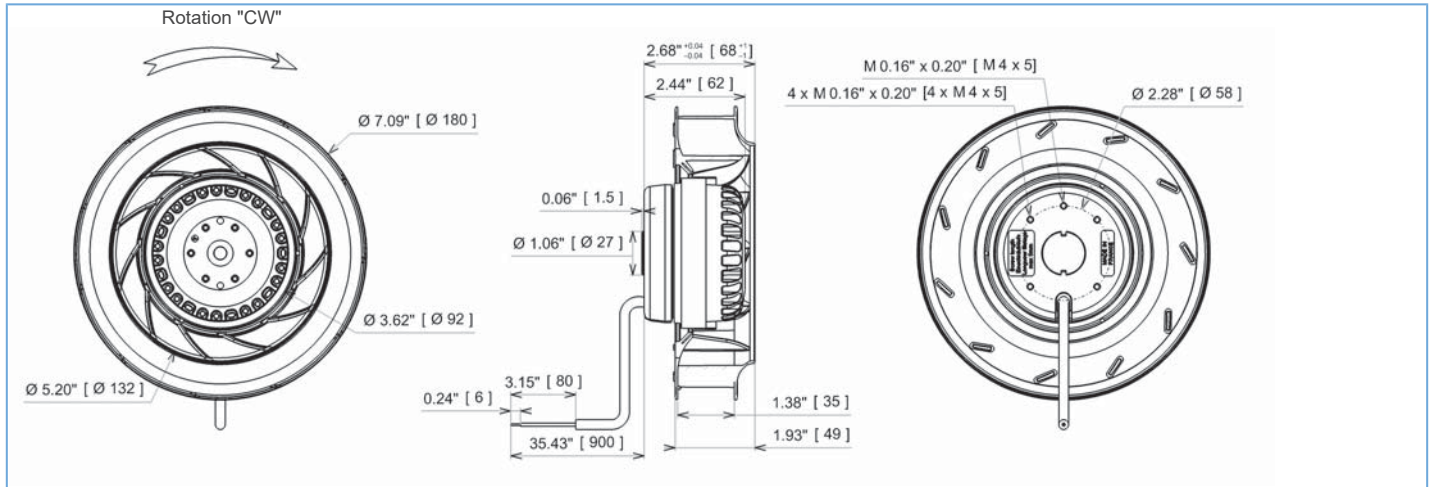
NA : not applicable

ErP 2013

NA

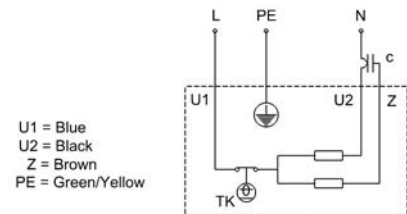
ErP 2015

NA



Description

- .Weight : 1,3 Kg
- .Ball bearing
- .Class F, thermally protected
- .IP44 protection depending on installation and position as per EN60034-5
- .G2.5 balancing
- .Rotor : black paint
- .PA 6/6 UL 94 V-0 plastic impeller
- .Motor - UL Recognized component



Non contractual document. All specifications are subject to change without prior notice. Picture for information only.



2RREu15 180x35R (115V) B12-A0 p



DATA SHEET

release. g - Revision 02-2016

Data in accordance to ErP directive

Voltage	115	V
Frequency	50	Hz
Power	0,051	kW ⁽¹⁾
Airflow	285	m ³ /h ⁽¹⁾
Pressure	150	Pa ⁽¹⁾
Rotation speed	2549	RPM ⁽¹⁾

(1) at optimal efficiency point

ErP directive (EU 2009/125/EC) not applicable :
Power at optimum energy efficiency point

Accessories

- 19221
- 19221
- 21181
- 16043

Measurement setup

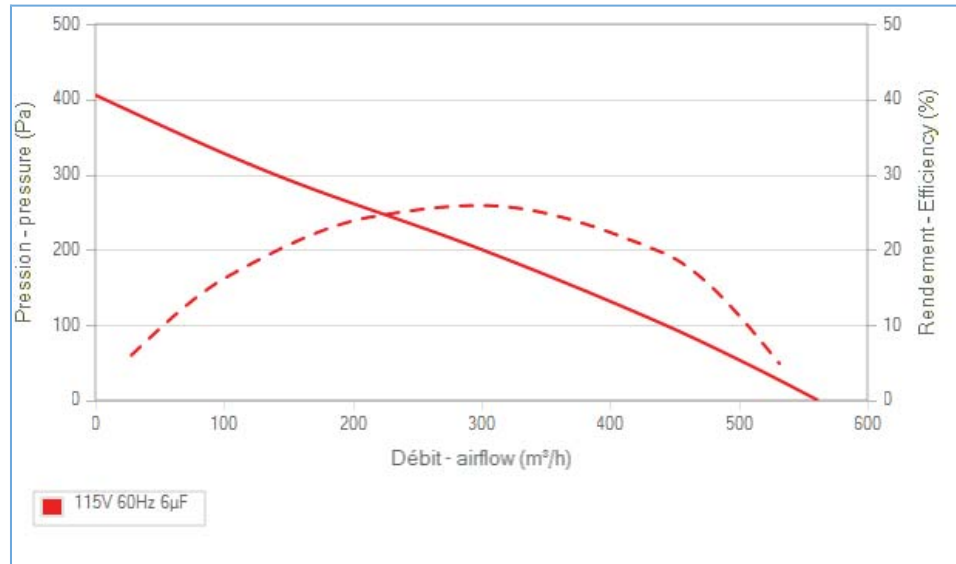
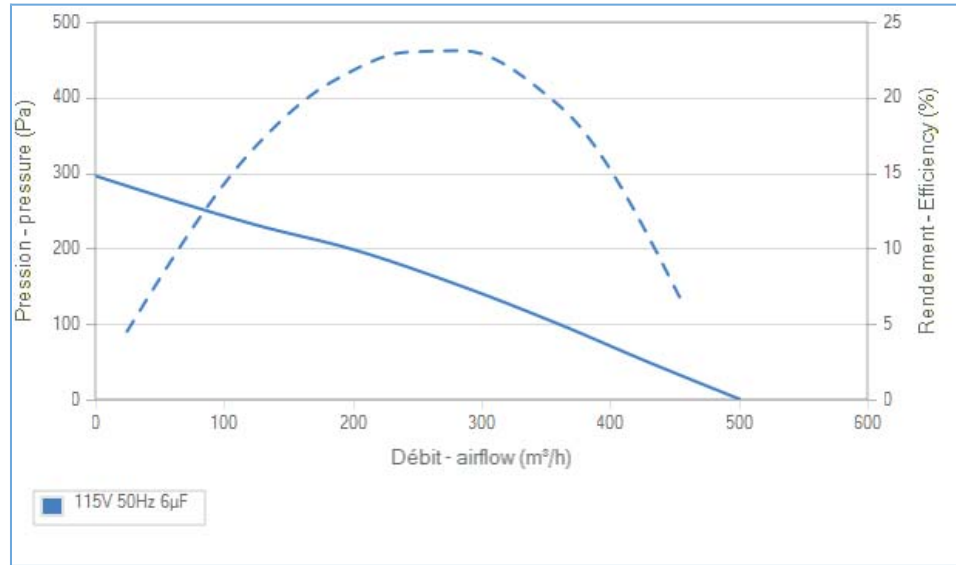
16043 OUIE OG 128 GALVA

Documents

- Manuel d'utilisation
www.ecofit.com/site/normes
- Operating and recycling manual
www.ecofit.com/anglais/normes



UL2111 (XEW2,8)
N° file E135223
2RS915



Non contractual document. All specifications are subject to change without prior notice. Picture for information only.



2RREu15 180x35R

C25-A0 p



DATA SHEET

release. e - Revision 04-2017

Voltage	Frequency	Input Power	Input Current	Capacitor	Airflow	Rotation speed	Acoustic level	Direction rotation	Admissible Temperature
V	Hz	W	A	µF	m³/h	RPM	dBA		Min/Max
230	50	53	0,24	2,0	440	2600	61	R	-40°C / +70°C
230	60	55	0,24	1,5	465	2855	64	R	-40°C / +70°C
230	50				258 CFM				-40°F / 158°F
230	60				273 CFM				-40°F / 158°F



dBa : free blowing

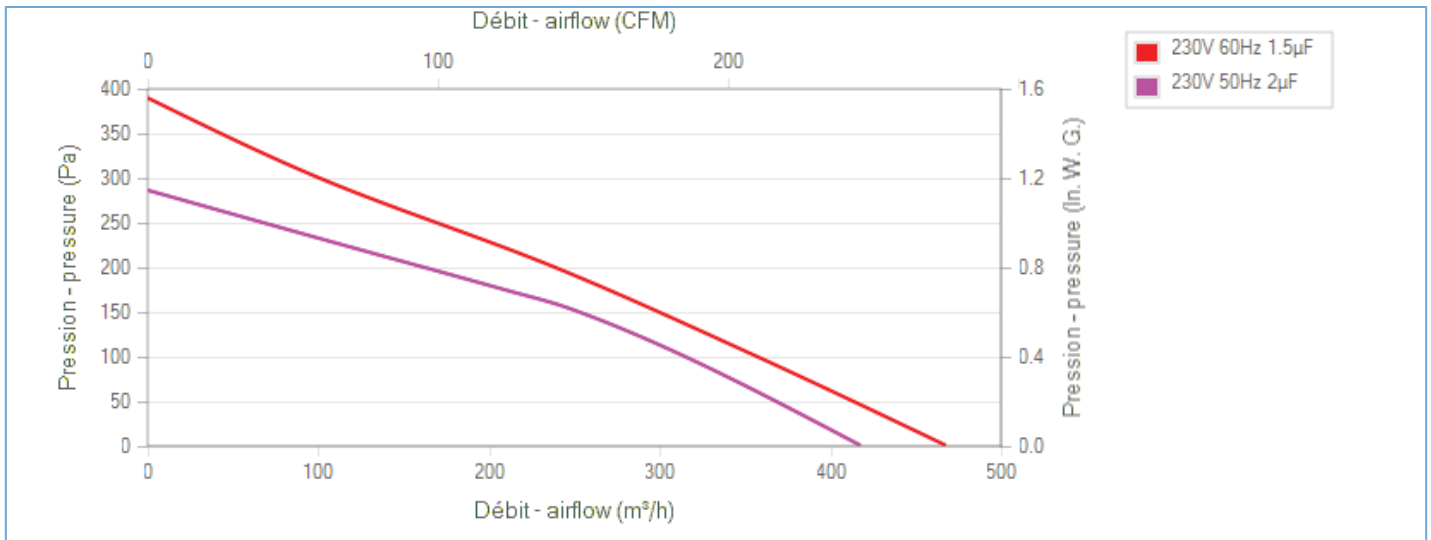
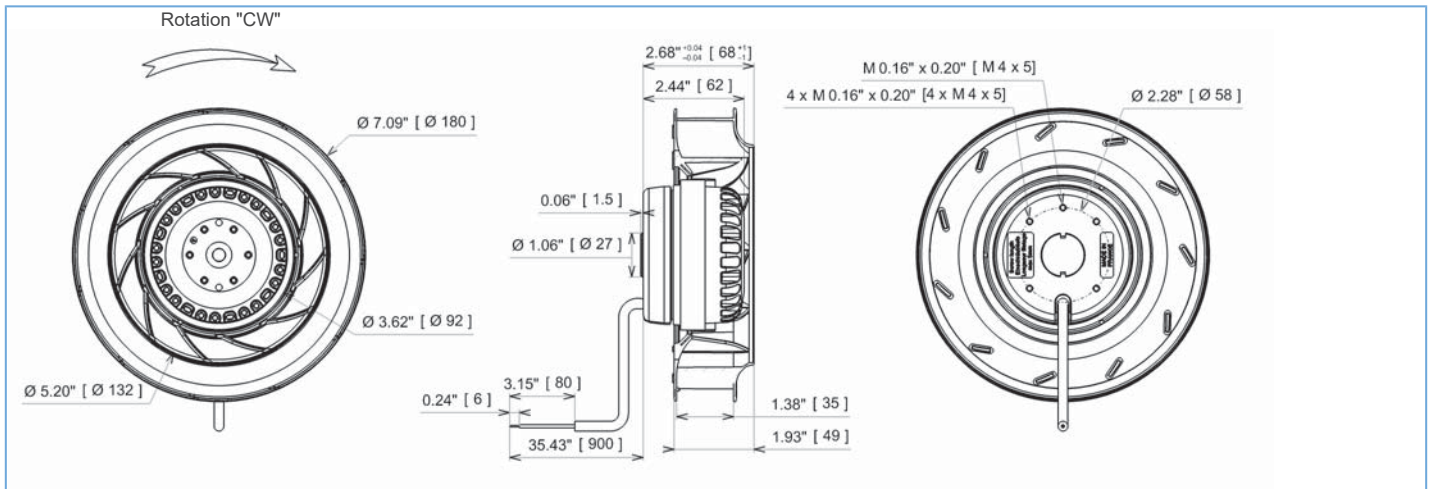
NA : not applicable

ErP 2013

NA

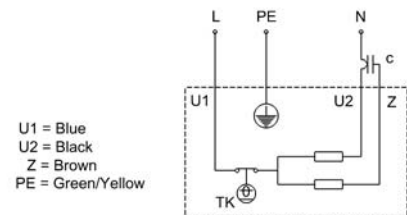
ErP 2015

NA



Description

- .Weight : 1,3 Kg
- .Ball bearing
- .Class F, thermally protected
- .IP44 protection depending on installation and position as per EN60034-5
- .G2.5 balancing
- .Rotor : black paint
- .PA 6/6 UL 94 V-0 plastic impeller
- .Motor - UL Recognized component



Non contractual document. All specifications are subject to change without prior notice. Picture for information only.



2RREu15 180x35R

C25-A0 p



DATA SHEET

release. e - Revision 04-2017

Data in accordance to ErP directive

Voltage	230	V
Frequency	50	Hz
Power	0,055	kW ⁽¹⁾
Airflow	247	m ³ /h ⁽¹⁾
Pressure	154	Pa ⁽¹⁾
Rotation speed	2532	RPM ⁽¹⁾

(1) at optimal efficiency point

ErP directive (EU 2009/125/EC) not applicable :
Power at optimum energy efficiency point

Accessories

- 19217
- 19208
- 21181
- 16043

Measurement setup

16043 OUIE OG 128 GALVA

Documents

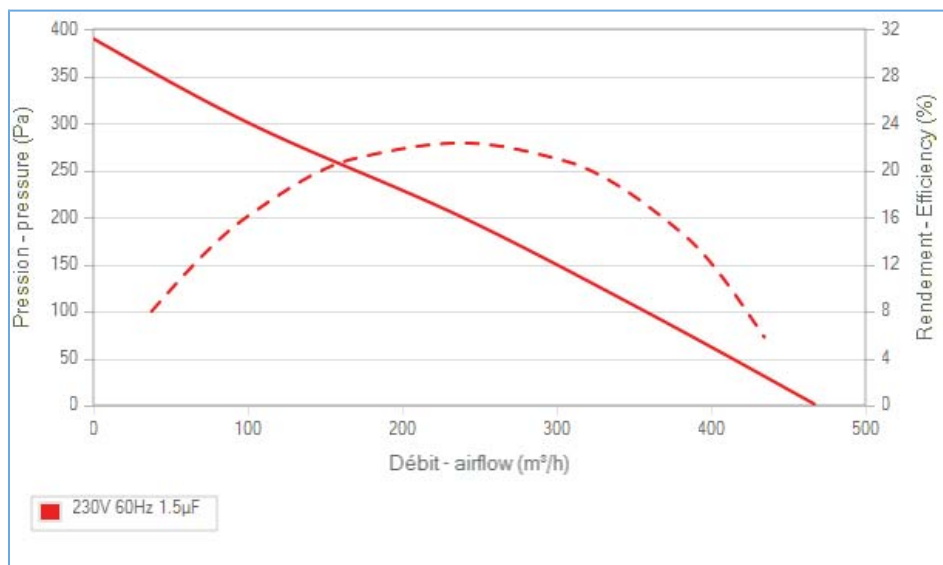
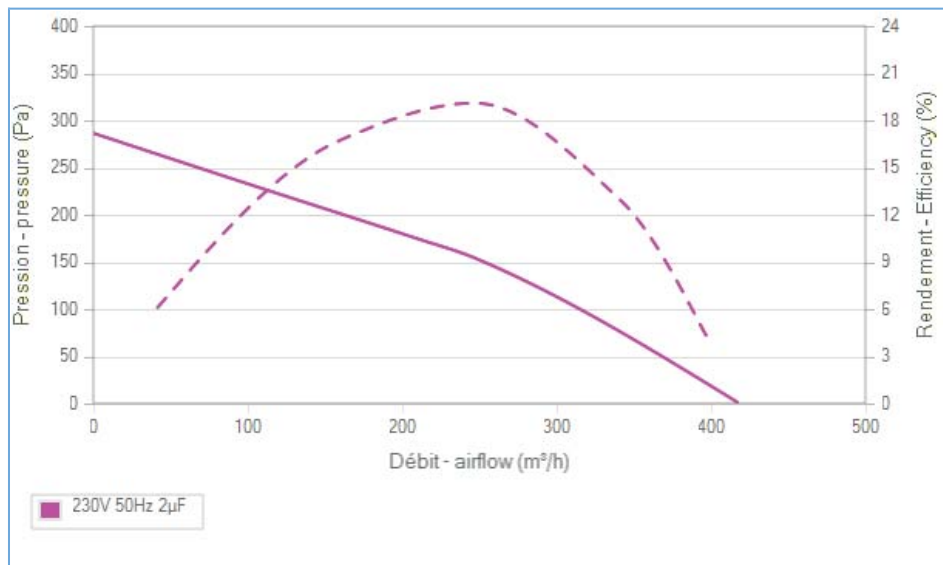
- Manuel d'utilisation
www.ecofit.com/site/normes
- Operating and recycling manual
www.ecofit.com/anglais/normes



UL2111 (XEW2,8)
N° file E135223
2RS915



A041865
2RS915CN



Non contractual document. All specifications are subject to change without prior notice. Picture for information only.



2RREuB3 180x35R

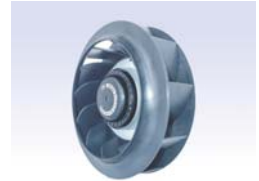
N50-A3



DATA SHEET

release. 0 - Revision 07-2018

Voltage	Frequency	Input Power	Input Current	Capacitor	Airflow	Rotation speed	Acoustic level	Direction rotation	Admissible Temperature
V	Hz	W	A	µF	m³/h	RPM	dBA		Min/Max
120	50	50	0,43	6,0	485	2410	58	R	-40°C / +45°C
120	60	52	0,44	6,0	550	2745	61	R	-40°C / +70°C
120	50				285 CFM				-40°F / 113°F
120	60				323 CFM				-40°F / 158°F



dBa : free blowing

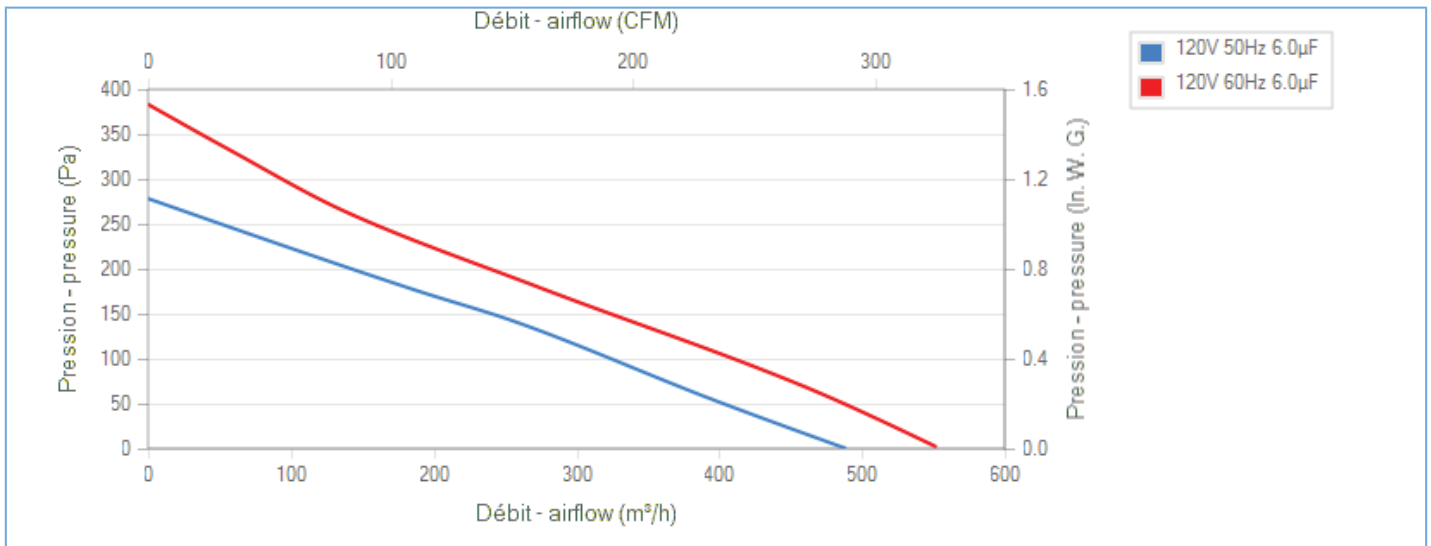
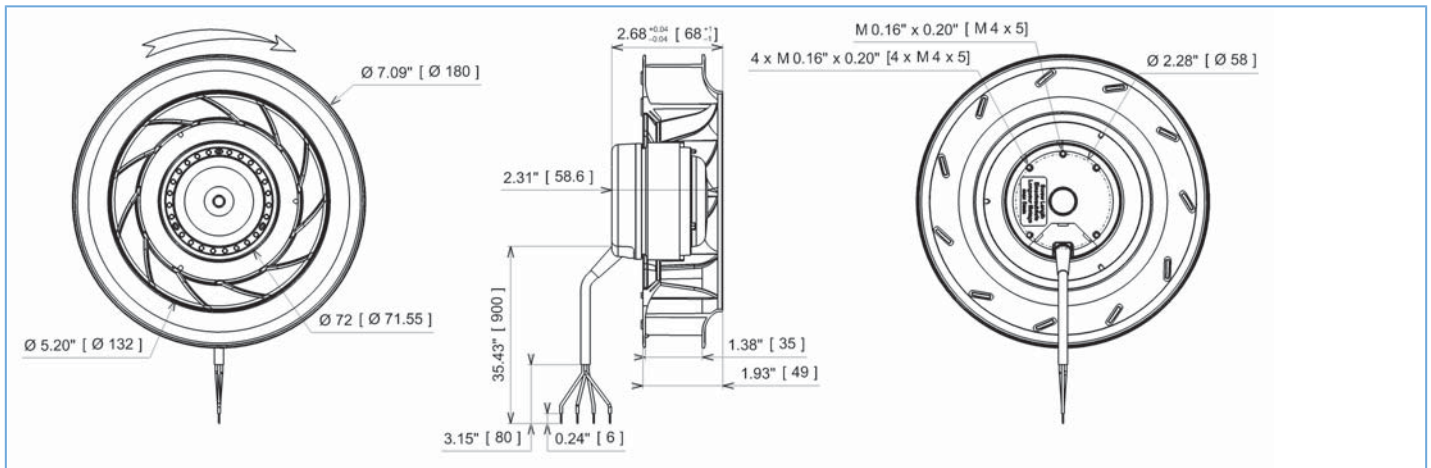
NA : not applicable

ErP 2013

NA

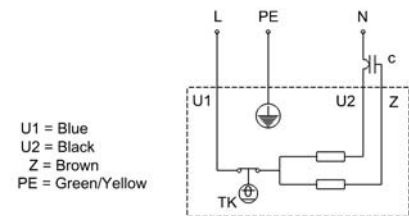
ErP 2015

NA



Description

- .Weight : 0,9 Kg
- .Ball bearing
- .Class F, thermally protected
- .IP44 protection depending on installation and position as per EN60034-5
- .G2.5 balancing
- .Rotor : black paint
- .PA 6/6 UL 94 V-0 plastic impeller
- .Motor - UL Recognized component



U1 = Blue
U2 = Black
Z = Brown
PE = Green/Yellow

Non contractual document. All specifications are subject to change without prior notice. Picture for information only.



2RREuB3 180x35R

N50-A3



DATA SHEET

release. 0 - Revision 07-2018

Data in accordance to ErP directive

Voltage	120	V
Frequency	50	Hz
Power	0,052	kW ⁽¹⁾
Airflow	256	m ³ /h ⁽¹⁾
Pressure	142	Pa ⁽¹⁾
Rotation speed	2271	RPM ⁽¹⁾

(1) at optimal efficiency point

ErP directive (EU 2009/125/EC) not applicable :
Power at optimum energy efficiency point

Accessories

- 19221
- 19221
- 21181
- 16043

Measurement setup

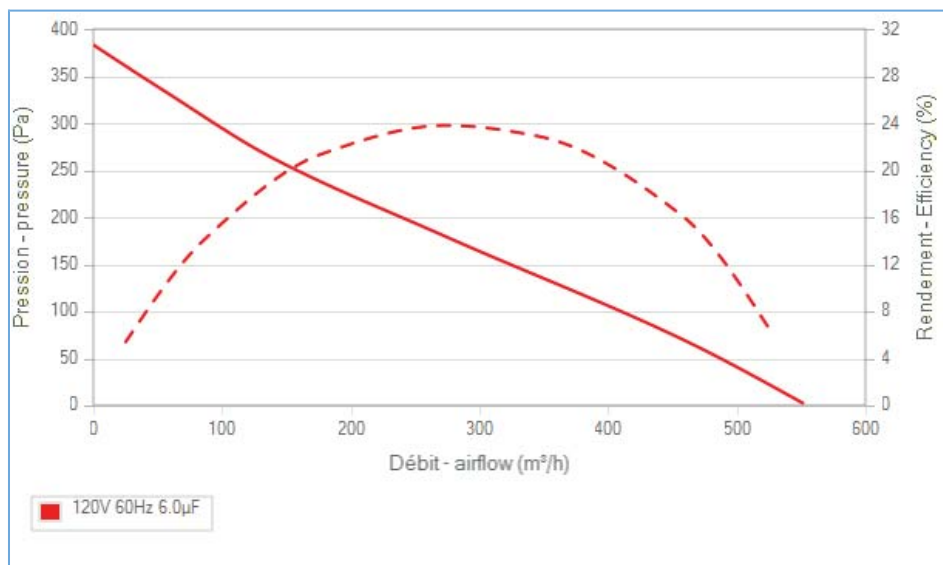
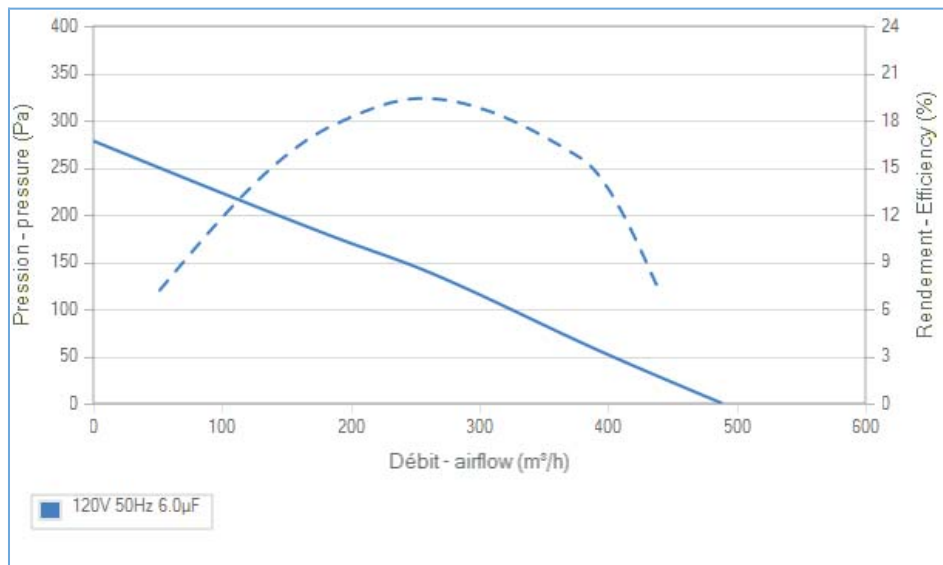
16043 OUIE OG 128 GALVA

Documents

- Manuel d'utilisation
www.ecofit.com/site/normes
- Operating and recycling manual
www.ecofit.com/anglais/normes



UL2111 (XEWR2,8)
N° file E135223
2RS73



Non contractual document. All specifications are subject to change without prior notice. Picture for information only.



2RREu15 192x40R (115V)

C10-A6 p



DATA SHEET

Replace B12-A1 p

release. f - Revision 04-2016

Voltage	Frequency	Input Power	Input Current	Capacitor	Airflow	Rotation speed	Acoustic level	Direction rotation	Admissible Temperature
V	Hz	W	A	µF	m³/h	RPM	dBA		Min/Max
115	60	88	0,77	8,0	670	3010	65	R	-40°C / +50°C
115	50				394 CFM				-40°F / 122°F

dBA : free blowing

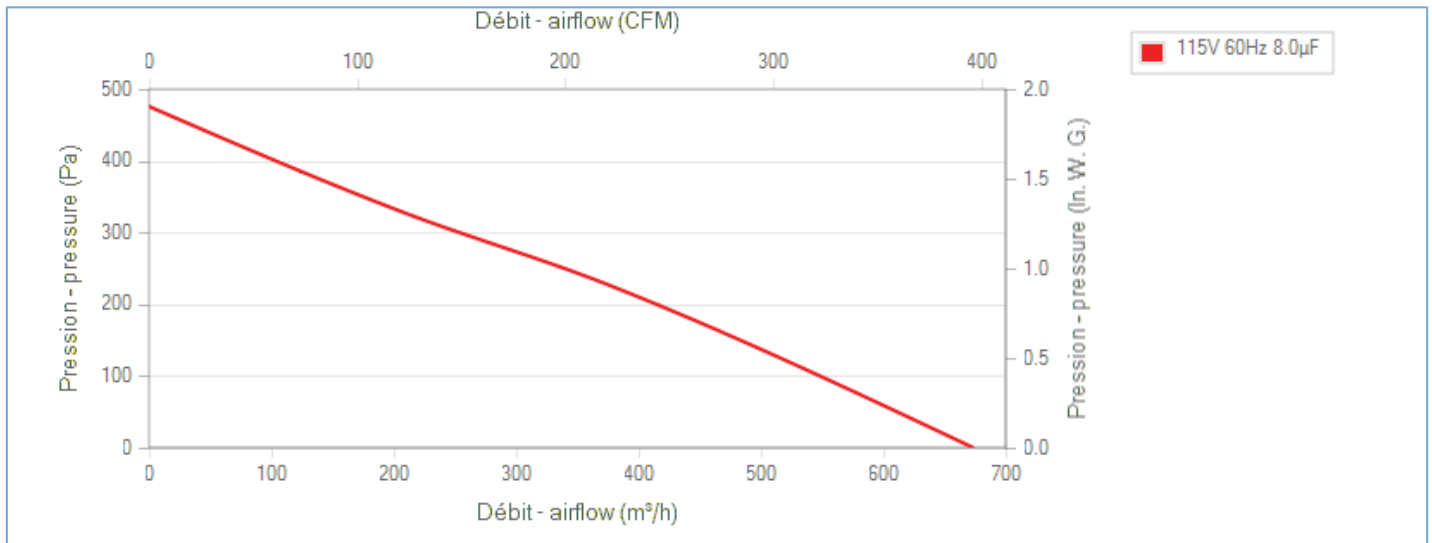
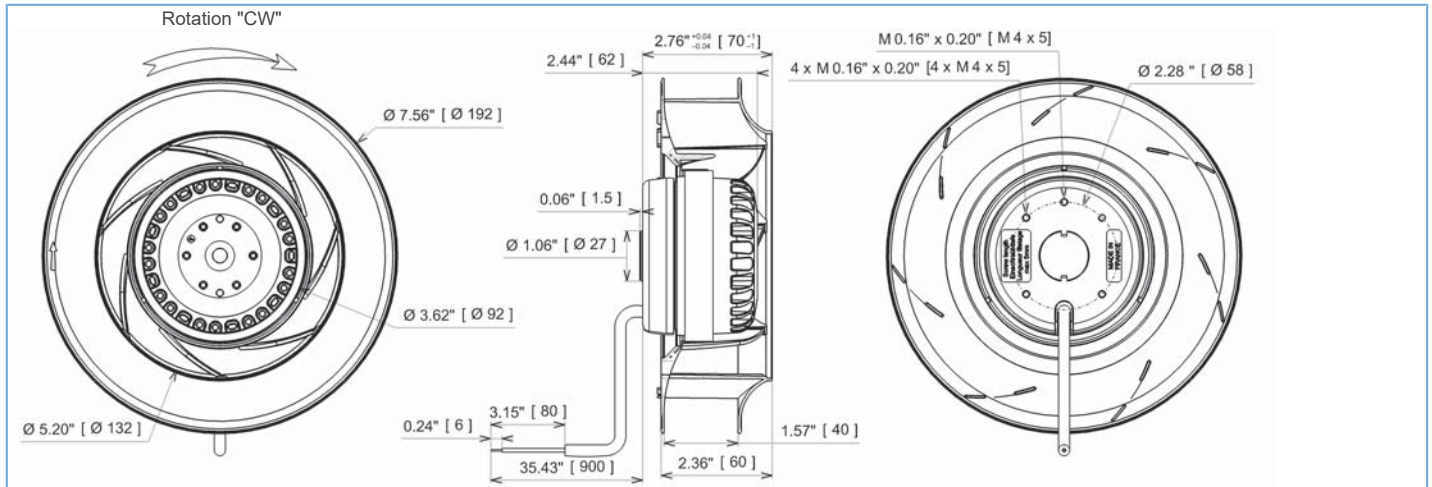
NA : not applicable

ErP 2013

NA

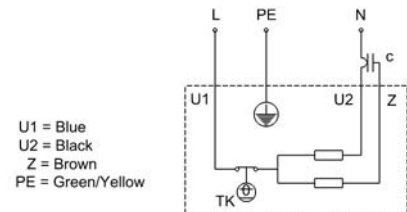
ErP 2015

NA



Description

- .Weight : 1,3 Kg
- .Ball bearing
- .Class F, thermally protected
- .IP54 protection depending on installation and position as per EN60034-5
- .G2.5 balancing
- .Rotor : black paint
- .PP UL 94 V-0 plastic impeller
- .Motor - UL Recognized component



Non contractual document. All specifications are subject to change without prior notice. Picture for information only.



2RREu15 192x40R (115V) C10-A6 p

Replace B12-A1 p



DATA SHEET

release. f - Revision 04-2016

Data in accordance to ErP directive

Voltage	115	V
Frequency	60	Hz
Power	0,096	kW ⁽¹⁾
Airflow	376	m ³ /h ⁽¹⁾
Pressure	226	Pa ⁽¹⁾
Rotation speed	2841	RPM ⁽¹⁾

(1) at optimal efficiency point

ErP directive (EU 2009/125/EC) not applicable :
Power at optimum energy efficiency point

Accessories

-
19222
21181
16043

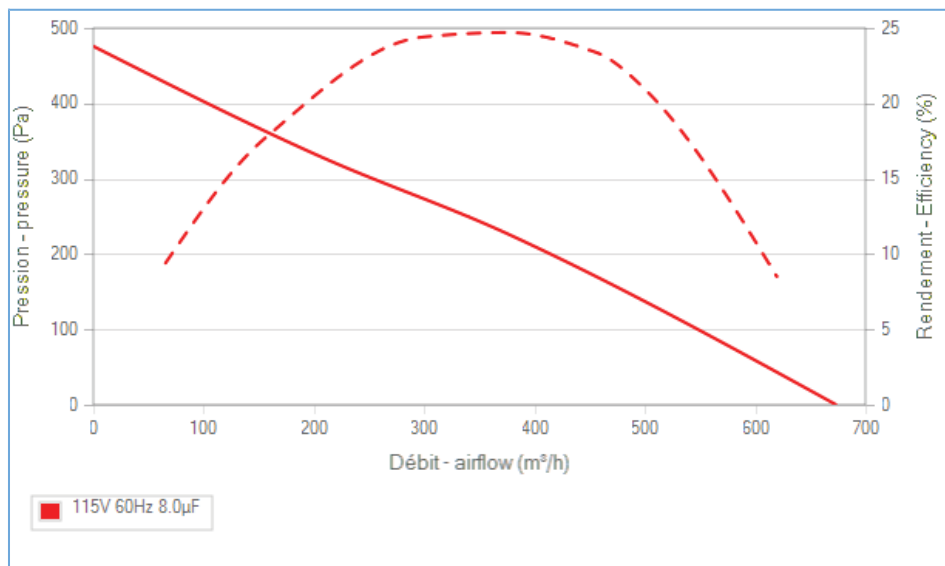
Measurement setup

16043 OUIE OG 128 GALVA

Documents

Manuel d'utilisation
www.ecofit.com/site/normes

Operating and recycling manual
www.ecofit.com/anglais/normes



Non contractual document. All specifications are subject to change without prior notice. Picture for information only.



UL2111 (XEW2,8)
N° file E135223
2RS915



2RREu15 192x40R

J47-A5 p



DATA SHEET

release. d - Revision 08-2016

Voltage	Frequency	Input Power	Input Current	Capacitor	Airflow	Rotation speed	Acoustic level	Direction rotation	Admissible Temperature
V	Hz	W	A	µF	m³/h	RPM	dBA		Min/Max
230	50	62	0,28	2,0	575	2510	60	R	-40°C / +70°C
230	60	76	0,34	2,0	625	2785	64	R	-40°C / +70°C
230	50				338 CFM				-40°F / 158°F
230	60				367 CFM				-40°F / 158°F



dBA : free blowing

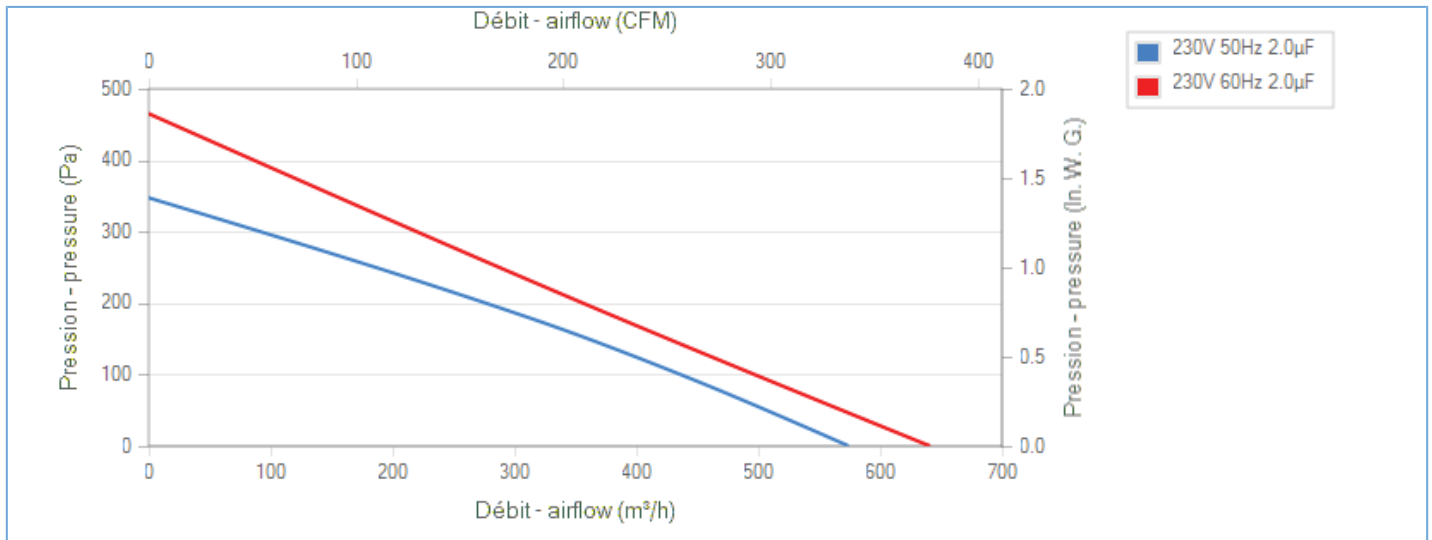
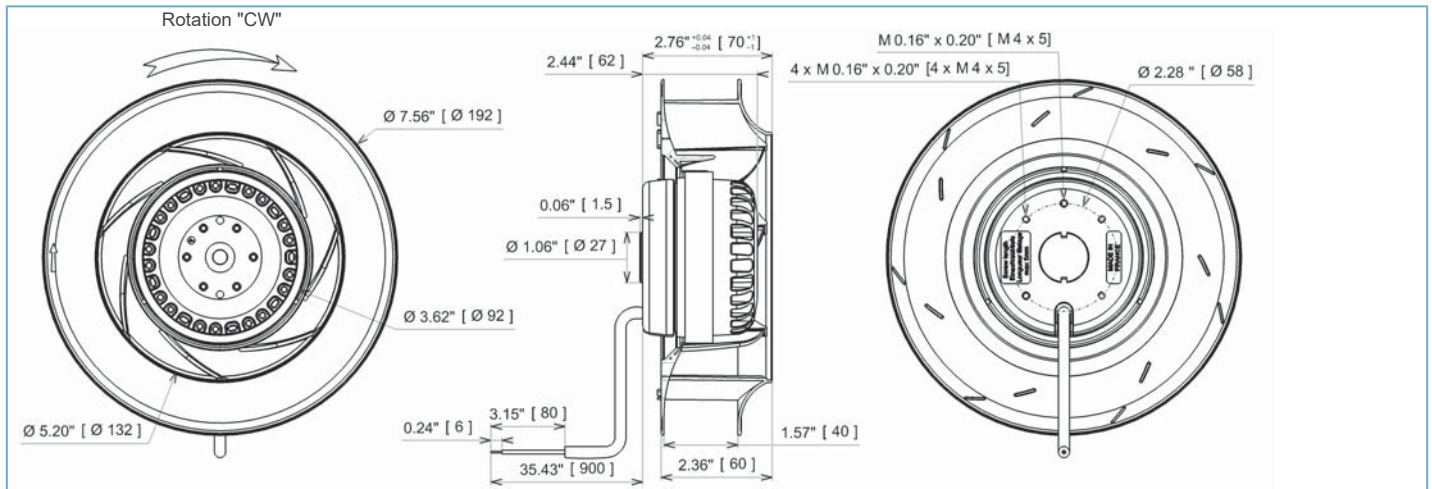
NA : not applicable

ErP 2013

NA

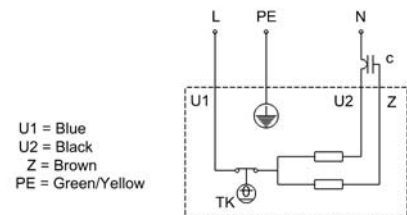
ErP 2015

NA



Description

- .Weight : 1,3 Kg
- .Ball bearing
- .Class F, thermally protected
- .IP44 protection depending on installation and position as per EN60034-5
- .G2.5 balancing
- .Rotor : black paint
- .PP UL 94 V-0 plastic impeller
- .Motor - UL Recognized component



Non contractual document. All specifications are subject to change without prior notice. Picture for information only.



2RREu15 192x40R

J47-A5 p



DATA SHEET

release. d - Revision 08-2016

Data in accordance to ErP directive

Voltage	230	V
Frequency	50	Hz
Power	0,066	kW ⁽¹⁾
Airflow	316	m ³ /h ⁽¹⁾
Pressure	177	Pa ⁽¹⁾
Rotation speed	2395	RPM ⁽¹⁾

(1) at optimal efficiency point

ErP directive (EU 2009/125/EC) not applicable :
Power at optimum energy efficiency point

Accessories

- 19217
- 19217
- 21181
- 16043

Measurement setup

16043 OUIE OG 128 GALVA

Documents

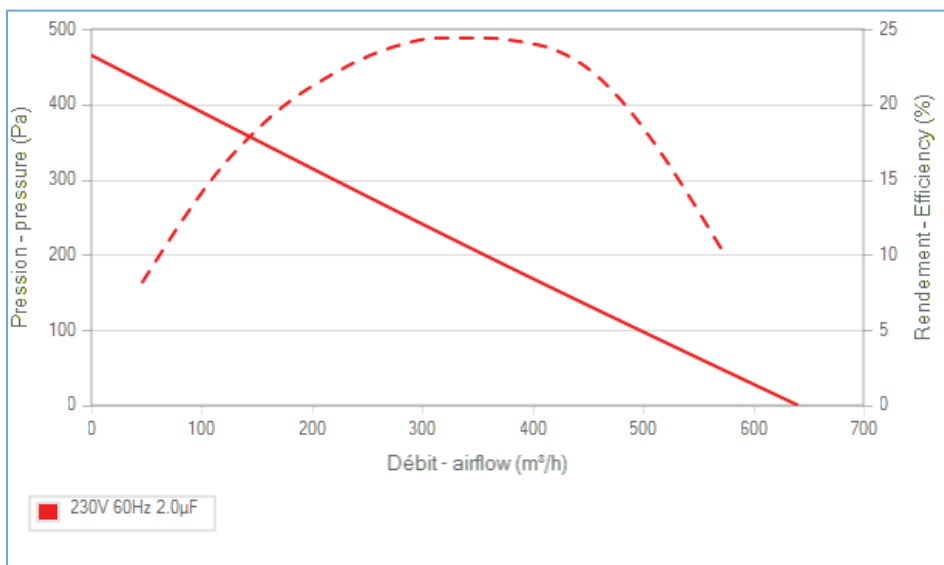
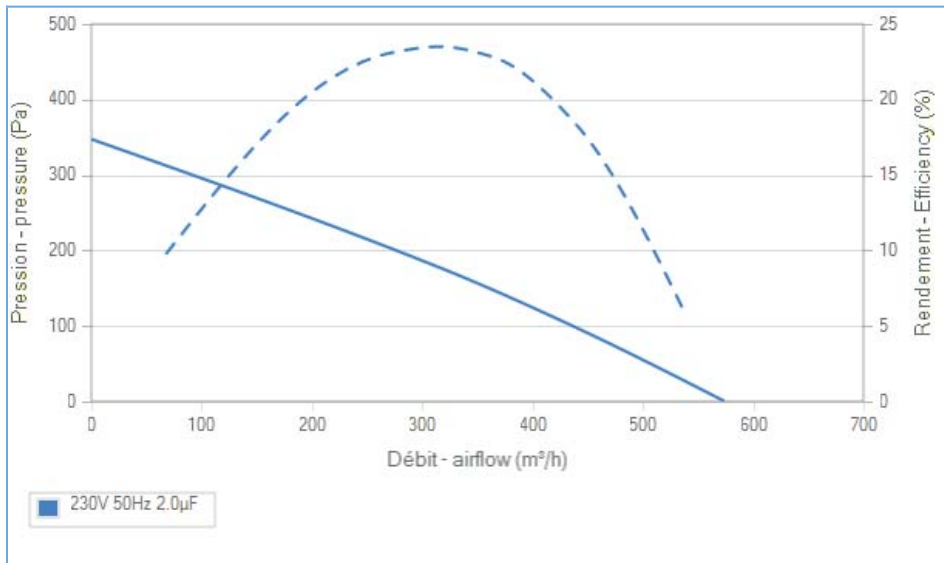
- Manuel d'utilisation
www.ecofit.com/site/normes
- Operating and recycling manual
www.ecofit.com/anglais/normes



UL2111 (XEW2,8)
N° file E135223
2RS915



A041865
2RS915CN



Non contractual document. All specifications are subject to change without prior notice. Picture for information only.



2RREu25 220x45R (115V)

D05-B5 p



DATA SHEET

release. d - Revision 12-2015

Replace B12-A2 p

Voltage	Frequency	Input Power	Input Current	Capacitor	Airflow	Rotation speed	Acoustic level	Direction rotation	Admissible Temperature
V	Hz	W	A	μF	m ³ /h	RPM	dBA		Min/Max
115	50	89	0,79	8,0	905	2510	64	R	-40°C / +70°C
115	60	124	1,08	8,0	950	2645	65	R	-40°C / +70°C
115	50				532 CFM				-40°F / 158°F
115	60				559 CFM				-40°F / 158°F



dBa : free blowing

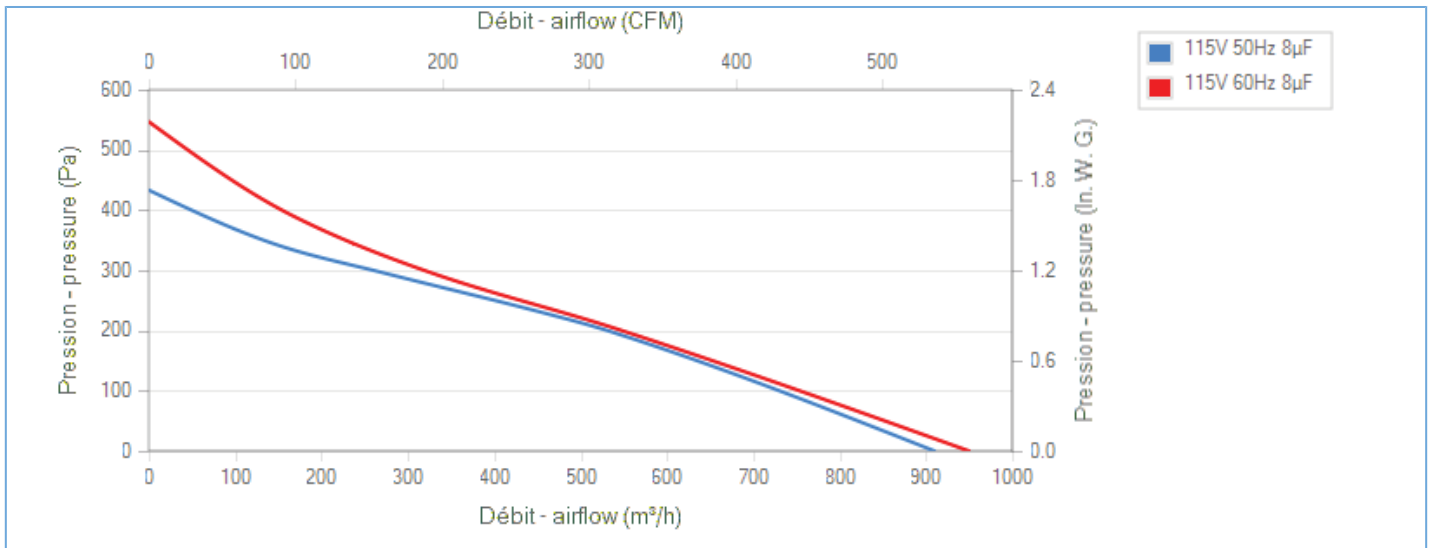
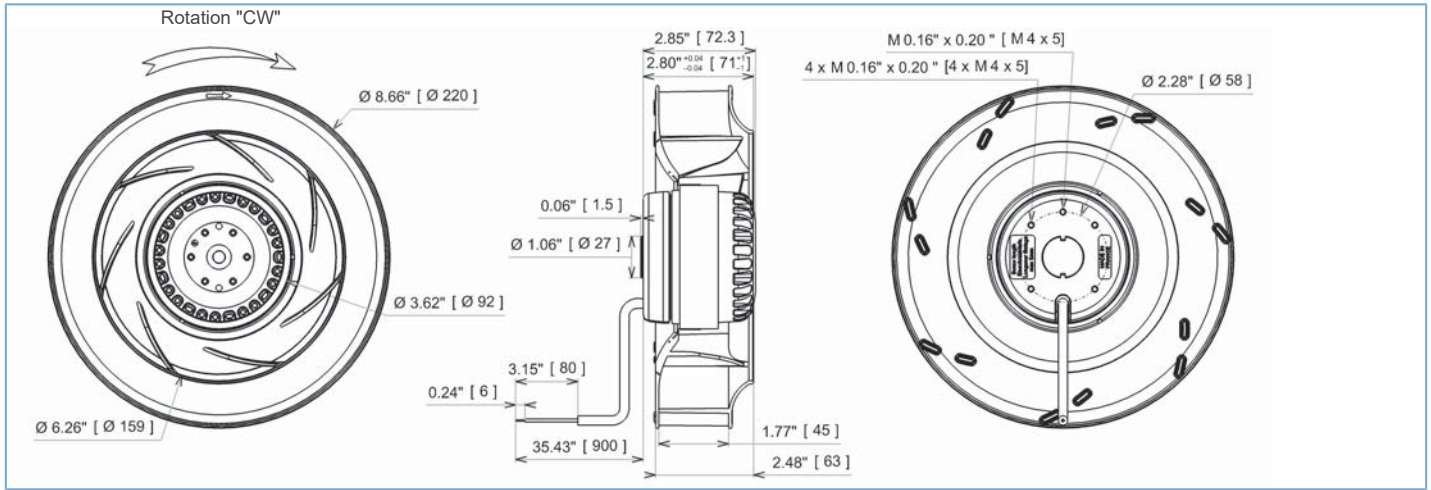
NA : not applicable

ErP 2013

NA

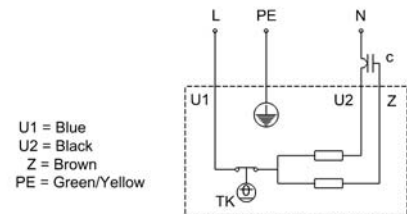
ErP 2015

NA



Description

- .Weight : 1,7 Kg
- .Ball bearing
- .Class F, thermally protected
- .IP44 protection depending on installation and position as per EN60034-5
- .G2.5 balancing
- .Rotor : black paint
- .PA 6/6 UL 94 V-0 plastic impeller
- .Motor - UL Recognized component



Non contractual document. All specifications are subject to change without prior notice. Picture for information only.



2RREu25 220x45R (115V)

D05-B5 p



DATA SHEET

Replace B12-A2 p

release. d - Revision 12-2015

Data in accordance to ErP directive

Voltage	115	V
Frequency	50	Hz
Power	0,098	kW ⁽¹⁾
Airflow	460	m ³ /h ⁽¹⁾
Pressure	228,3	Pa ⁽¹⁾
Rotation speed	2382	RPM ⁽¹⁾

(1) at optimal efficiency point

ErP directive (EU 2009/125/EC) not applicable :
Power at optimum energy efficiency point

Accessories

- 19222
- 19222
- 16214

Measurement setup

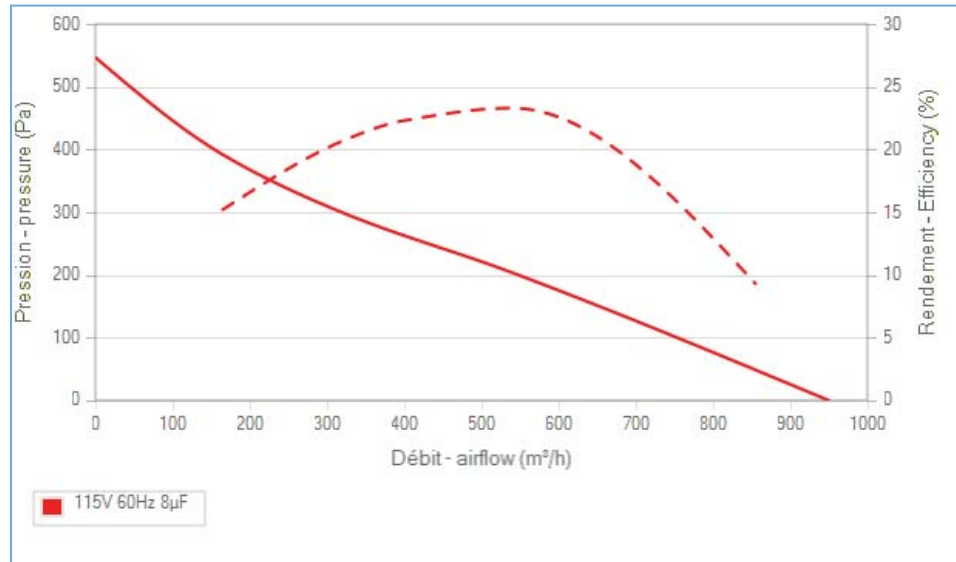
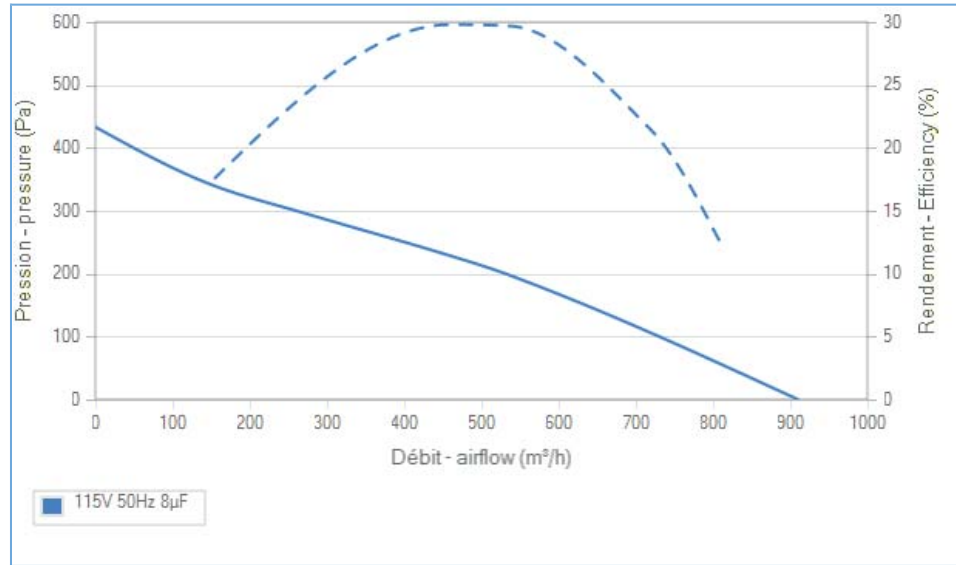
O_Sp155

Documents

- Manuel d'utilisation
www.ecofit.com/site/normes
- Operating and recycling manual
www.ecofit.com/anglais/normes



UL2111 (XEW2,8)
N° file E135223
2RS925



Non contractual document. All specifications are subject to change without prior notice. Picture for information only.



2RREu15 220x45R (115V) I40-B1 p



DATA SHEET

release. a - Revision 11-2015

Voltage	Frequency	Input Power	Input Current	Capacitor	Airflow	Rotation speed	Acoustic level	Direction rotation	Admissible Temperature
V	Hz	W	A	µF	m³/h	RPM	dBA		Min/Max
120	50	82	0,69	8,0	840	2340	63	R	-40°C / +55°C
120	60	98	0,82	8,0	910	2580	64	R	-40°C / +70°C
120	50				494 CFM				-40°F / 131°F
120	60				535 CFM				-40°F / 158°F



dBA : free blowing

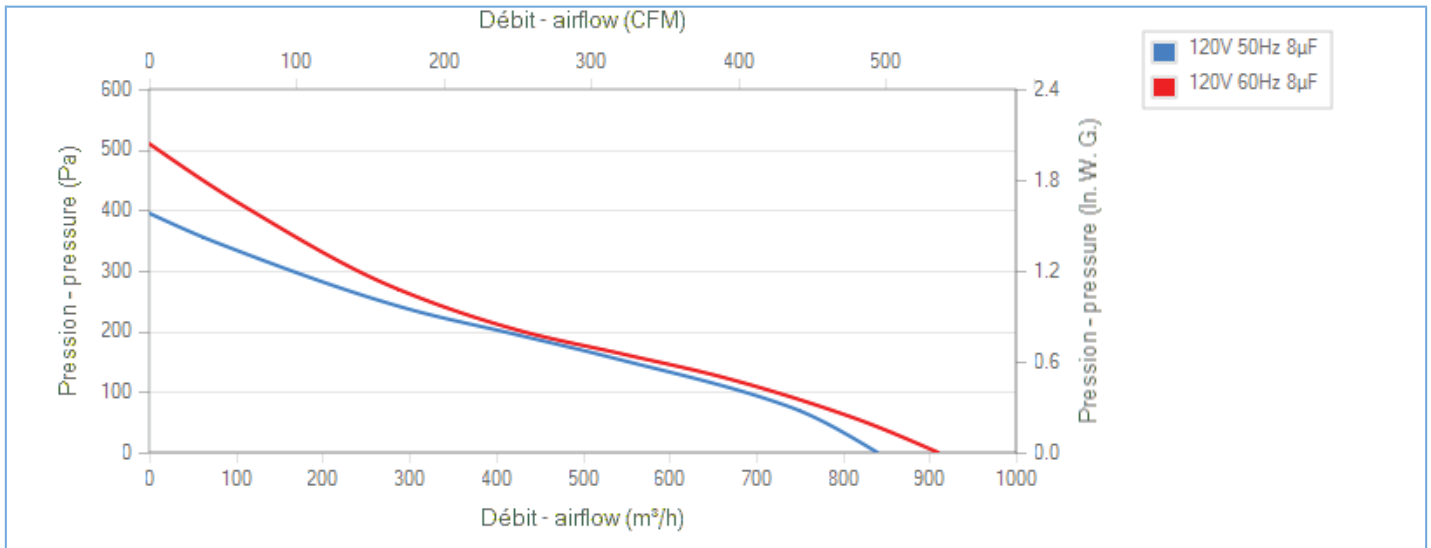
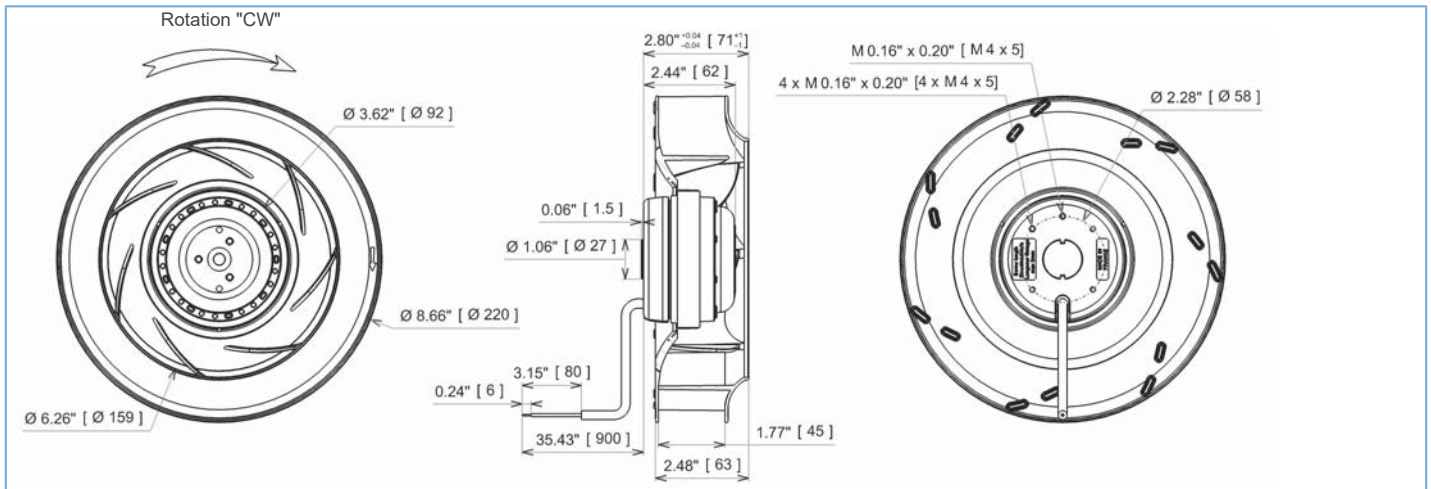
NA : not applicable

ErP 2013

NA

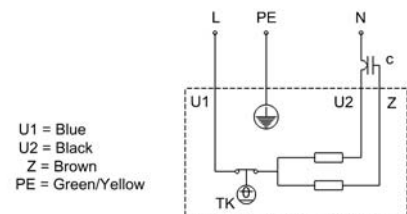
ErP 2015

NA



Description

- .Weight : 1,6 Kg
- .Ball bearing
- .Class F, thermally protected
- .IP44 protection depending on installation and position as per EN60034-5
- .G2.5 balancing
- .Rotor : black paint
- .PA 6/6 UL 94 V-0 plastic impeller
- .Motor - UL Recognized component



Non contractual document. All specifications are subject to change without prior notice. Picture for information only.



2RREu15 220x45R (115V) I40-B1 p



DATA SHEET

release. a - Revision 11-2015

Data in accordance to ErP directive

Voltage	120	V
Frequency	50	Hz
Power	0,089	kW ⁽¹⁾
Airflow	532	m ³ /h ⁽¹⁾
Pressure	157	Pa ⁽¹⁾
Rotation speed	2146	RPM ⁽¹⁾

(1) at optimal efficiency point

ErP directive (EU 2009/125/EC) not applicable :
Power at optimum energy efficiency point

Accessories

19222

19222

16214

Measurement setup

16214 Ouie Ø252 ext Ø155 int GALVA

Documents

Manuel d'utilisation

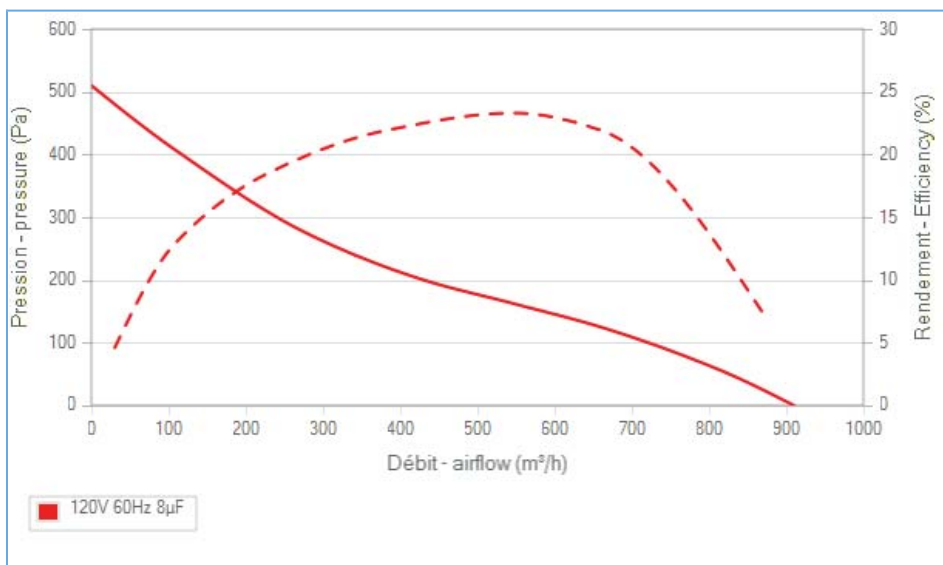
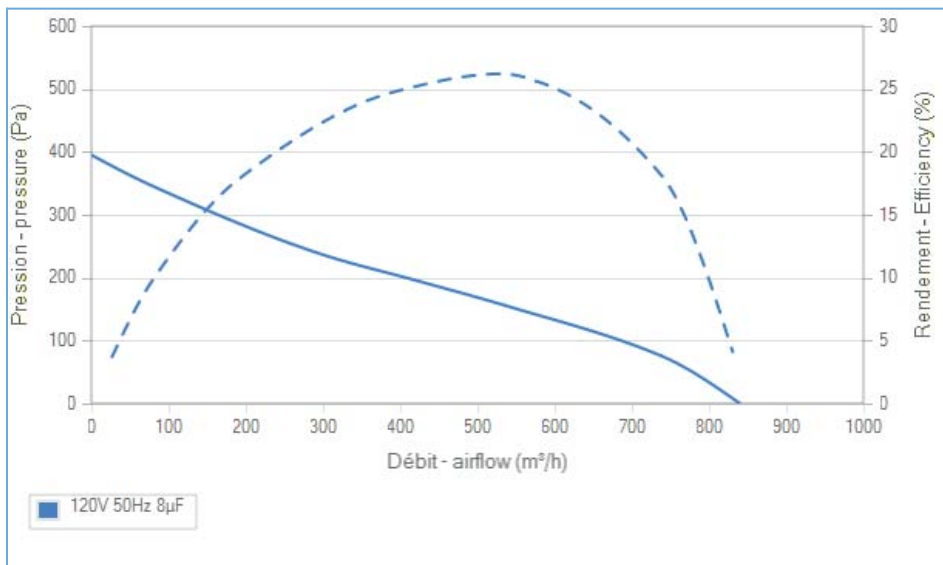
www.ecofit.com/site/normes

Operating and recycling manual

www.ecofit.com/anglais/normes



UL2111 (XEW2,8)
N° file E135223
2RS915



Non contractual document. All specifications are subject to change without prior notice. Picture for information only.



2RREu15 220x45R

L23-A9 p



DATA SHEET

release. b - Revision 04-2017

Voltage	Frequency	Input Power	Input Current	Capacitor	Airflow	Rotation speed	Acoustic level	Direction rotation	Admissible Temperature
V	Hz	W	A	µF	m³/h	RPM	dBA	↻	Min/Max
230	50	84	0,38	2,0	890	2350		R	-40°C / +60°C
230	60	101	0,44	2,0	960	2540		R	-40°C / +70°C
230	50				523 CFM				-40°F / 140°F
230	60				565 CFM				-40°F / 158°F



dBA : free blowing

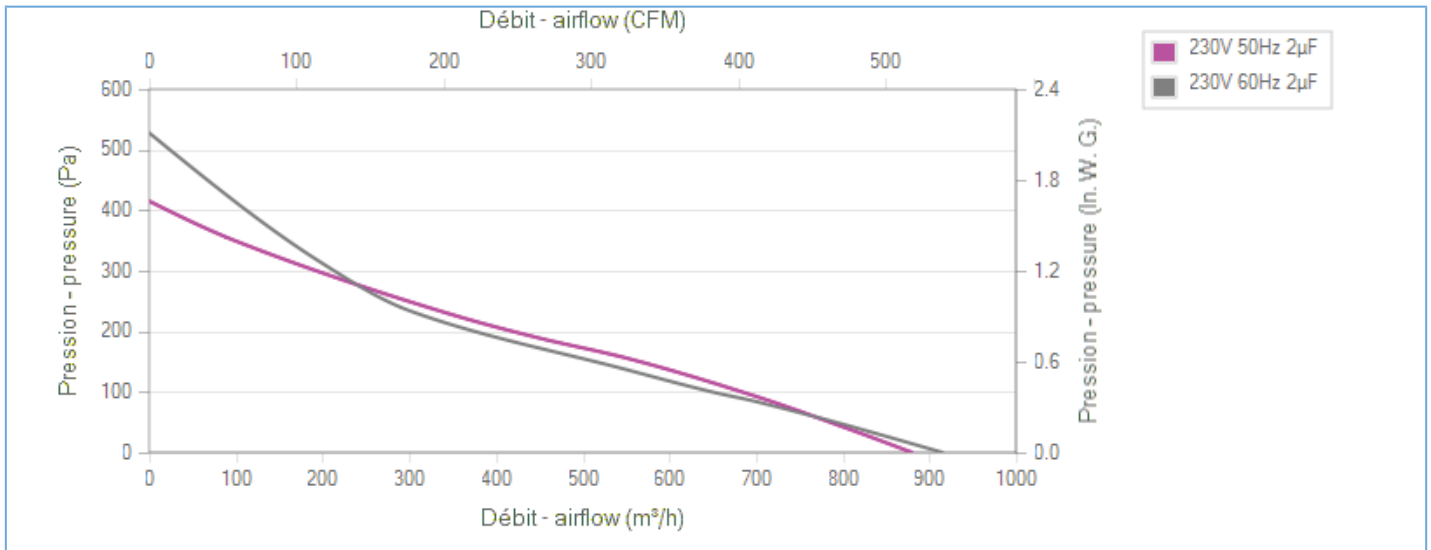
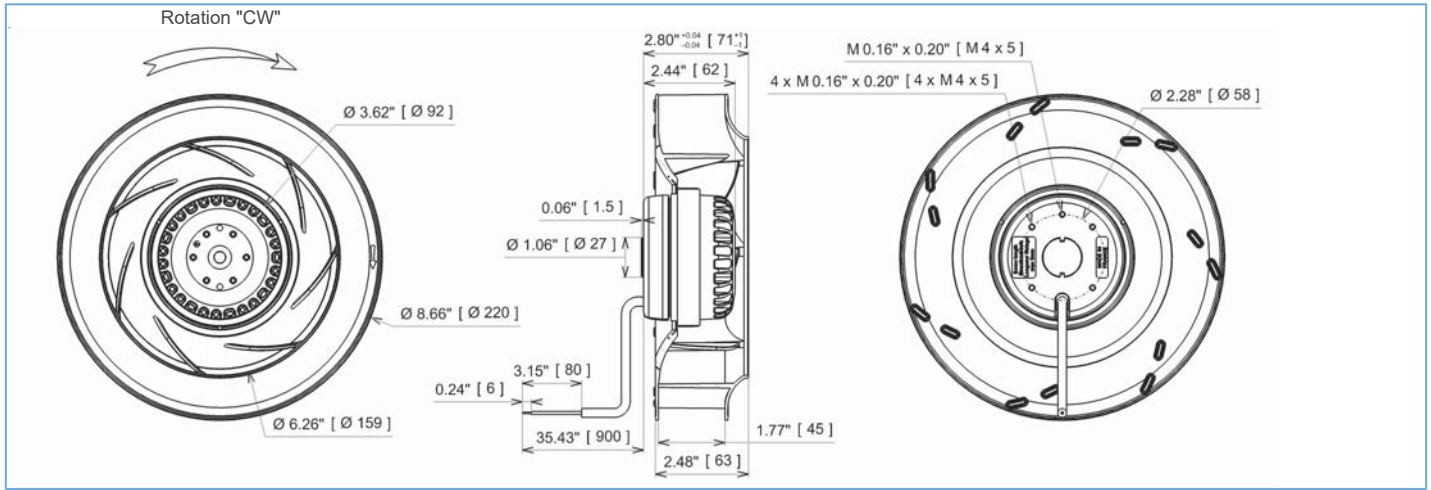
NA : not applicable

ErP 2013

NA

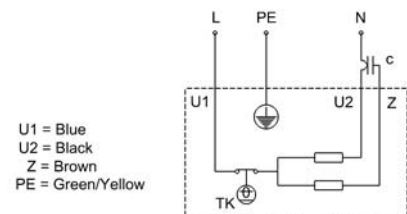
ErP 2015

NA



Description

- .Weight : 1,6 Kg
- .Ball bearing
- .Class F, thermally protected
- .IP44 protection depending on installation and position as per EN60034-5
- .G2.5 balancing
- .Rotor : black paint
- .PA 6/6 UL 94 V-0 plastic impeller
- .Motor - UL Recognized component



Non contractual document. All specifications are subject to change without prior notice. Picture for information only.



2RREu15 220x45R

L23-A9 p



DATA SHEET

release. b - Revision 04-2017

Data in accordance to ErP directive

Voltage	230	V
Frequency	50	Hz
Power	0,094	kW ⁽¹⁾
Airflow	515	m ³ /h ⁽¹⁾
Pressure	171	Pa ⁽¹⁾
Rotation speed	2166	RPM ⁽¹⁾

(1) at optimal efficiency point

ErP directive (EU 2009/125/EC) not applicable :
Power at optimum energy efficiency point

Accessories

- 19217
- 19217
- 16214

Measurement setup

16214 Ouie Ø252 ext Ø153 int GALVA

Documents

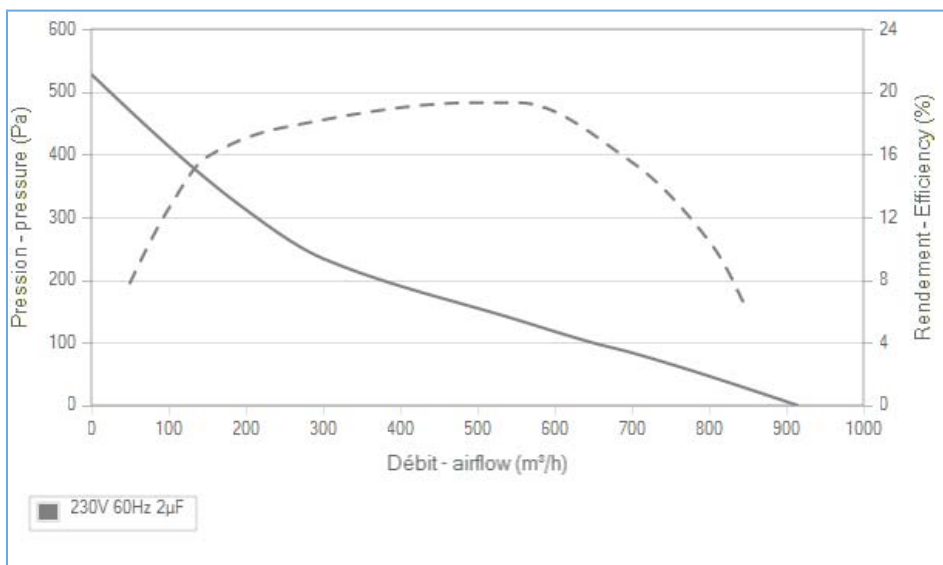
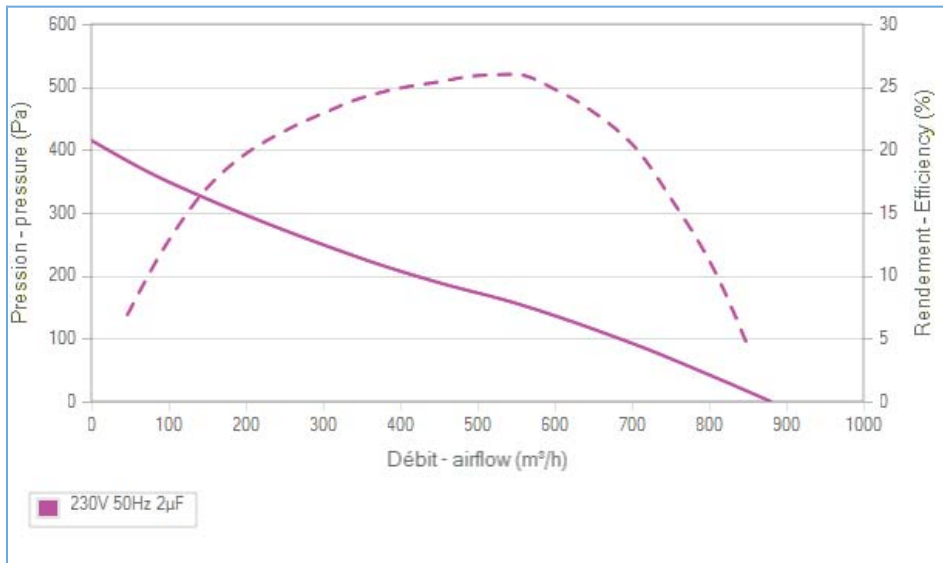
- Manuel d'utilisation
www.ecofit.com/site/normes
- Operating and recycling manual
www.ecofit.com/anglais/normes



UL2111 (XEW2,8)
N° file E135223
2RS915



A041865
2RS915CN



Non contractual document. All specifications are subject to change without prior notice. Picture for information only.

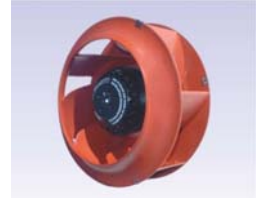


2RREu35 225x63R (115V) B12-A3 p

DATA SHEET

release. e - Revision 04-2016

Voltage	Frequency	Input Power	Input Current	Capacitor	Airflow	Rotation speed	Acoustic level	Direction rotation	Admissible Temperature
V	Hz	W	A	µF	m³/h	RPM	dBA		Min/Max
115	50	156	1,36	18,0	1215	2560	67	R	-40°C / +50°C
115	60	212	1,86	18,0	1285	2695	68	R	-40°C / +50°C
115	50				715 CFM				-40°F / 122°F
115	60				756 CFM				-40°F / 122°F



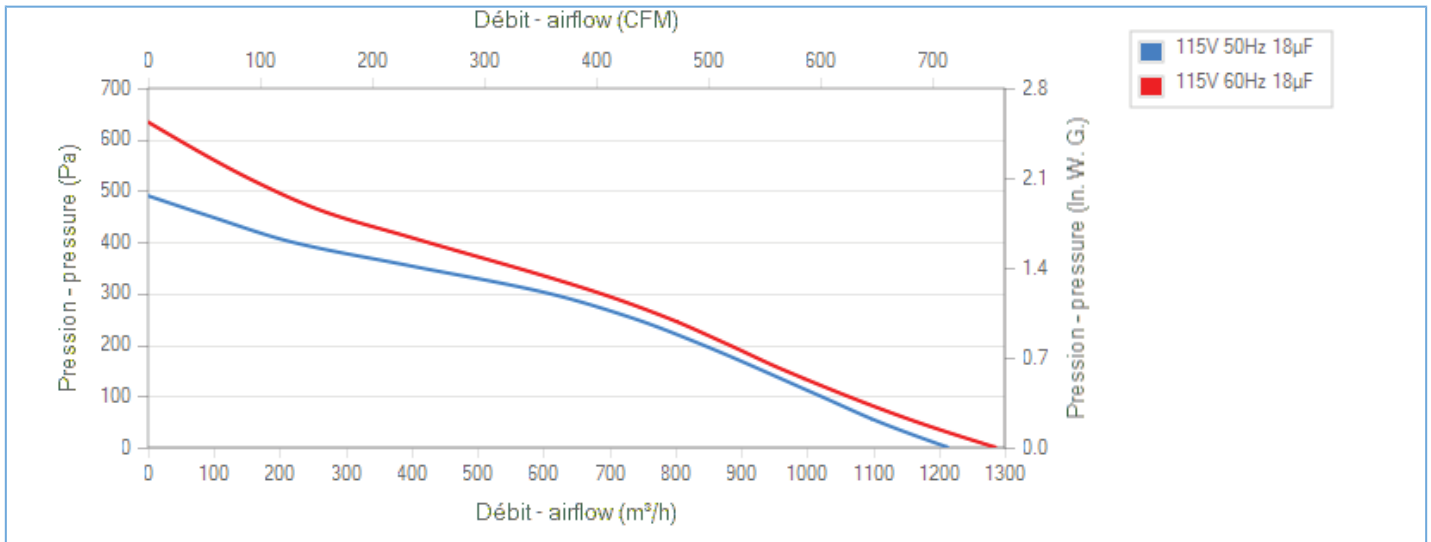
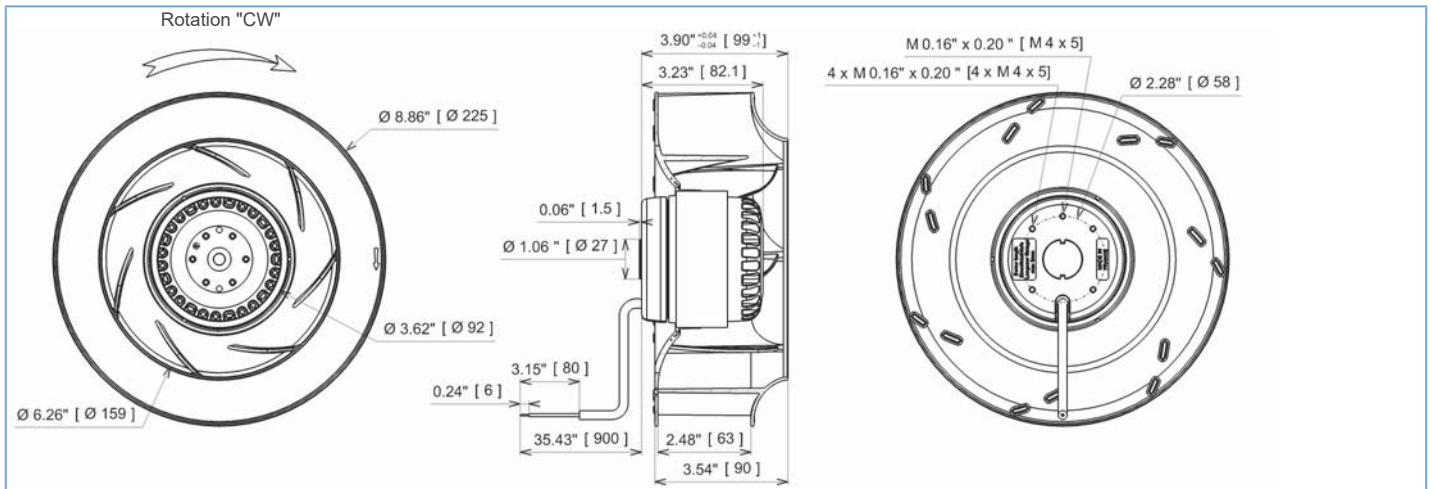
dBA : free blowing

ErP 2013

NOK

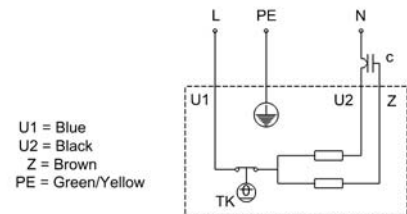
ErP 2015

NOK



Description

- .Weight : 2,4 Kg
- .Ball bearing
- .Class F, thermally protected
- .IP44 protection depending on installation and position as per EN60034-5
- .G2.5 balancing
- .Rotor : black paint
- .PA 6/6 UL 94 V-0 plastic impeller
- .Motor - UL Recognized component



Non contractual document. All specifications are subject to change without prior notice. Picture for information only.



2RREu35 225x63R (115V) B12-A3 p

DATA SHEET

release. e - Revision 04-2016

Data in accordance to ErP directive

Voltage	115	V
Frequency	50	Hz
Power	0,167	kW ⁽¹⁾
Airflow	736	m ³ /h ⁽¹⁾
Pressure	252	Pa ⁽¹⁾
Rotation speed	2450	RPM ⁽¹⁾

(1) at optimal efficiency point

For service use only in Europe according ErP directive EU 2009/125/EC

Accessories

- 19225
- 19225
- 16214

Measurement setup

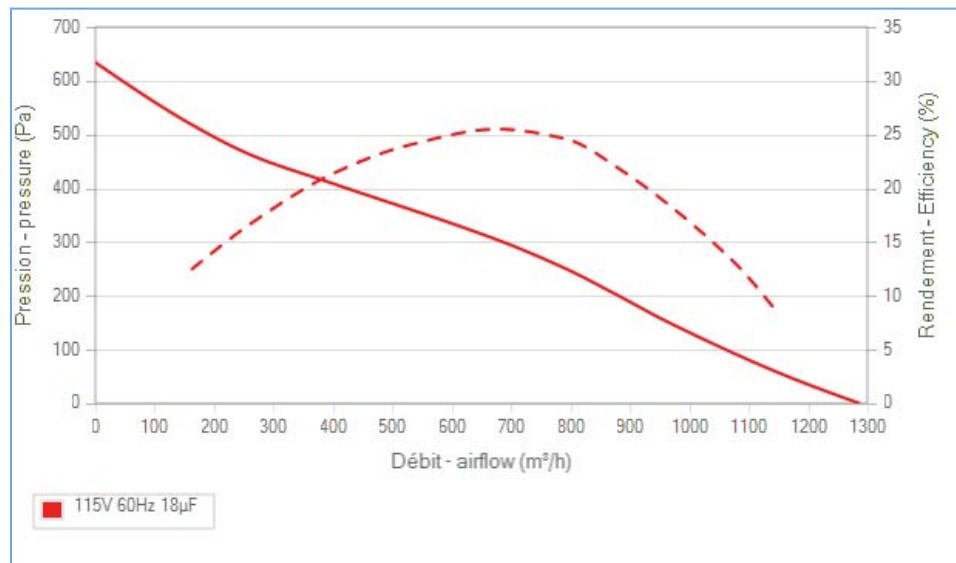
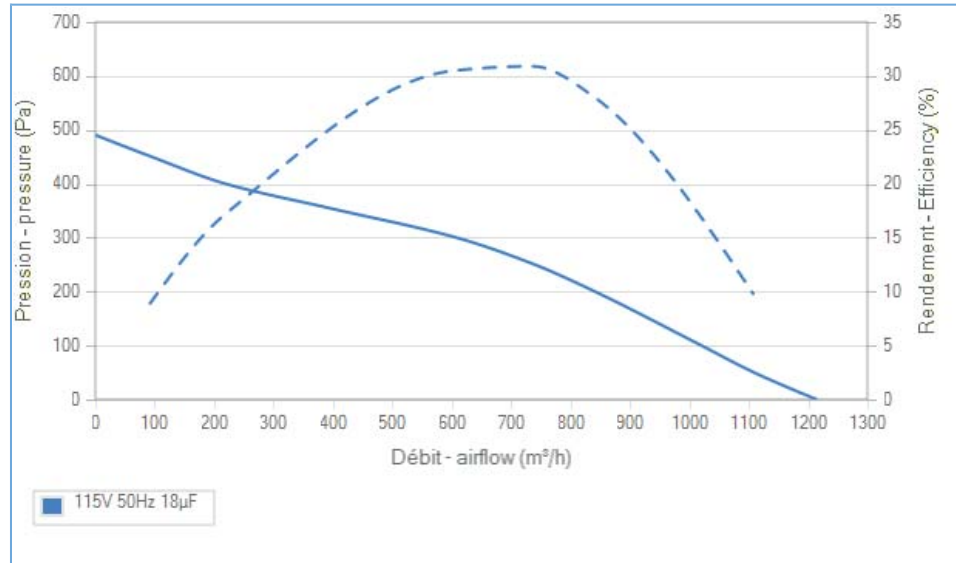
16214 Ouie Ø252 ext Ø153 int GALVA

Documents

- Manuel d'utilisation
www.ecofit.com/site/normes
- Operating and recycling manual
www.ecofit.com/anglais/normes



UL2111 (XEW2,8)
N° file E135223
2RS935



Non contractual document. All specifications are subject to change without prior notice. Picture for information only.



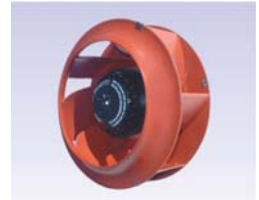
2RREu35 225x63R

C25-A4 p

DATA SHEET

release. e - Revision 09-2017

Voltage	Frequency	Input Power	Input Current	Capacitor	Airflow	Rotation speed	Acoustic level	Direction rotation	Admissible Temperature
V	Hz	W	A	µF	m³/h	RPM	dBA		Min/Max
230	50	143	0,63	4,0	1220	2505	68	R	-40°C / +70°C
230	60	197	0,86	4,0	1300	2640	69	R	-40°C / +70°C
230	50				718 CFM				-40°F / 158°F
230	60				765 CFM				-40°F / 158°F



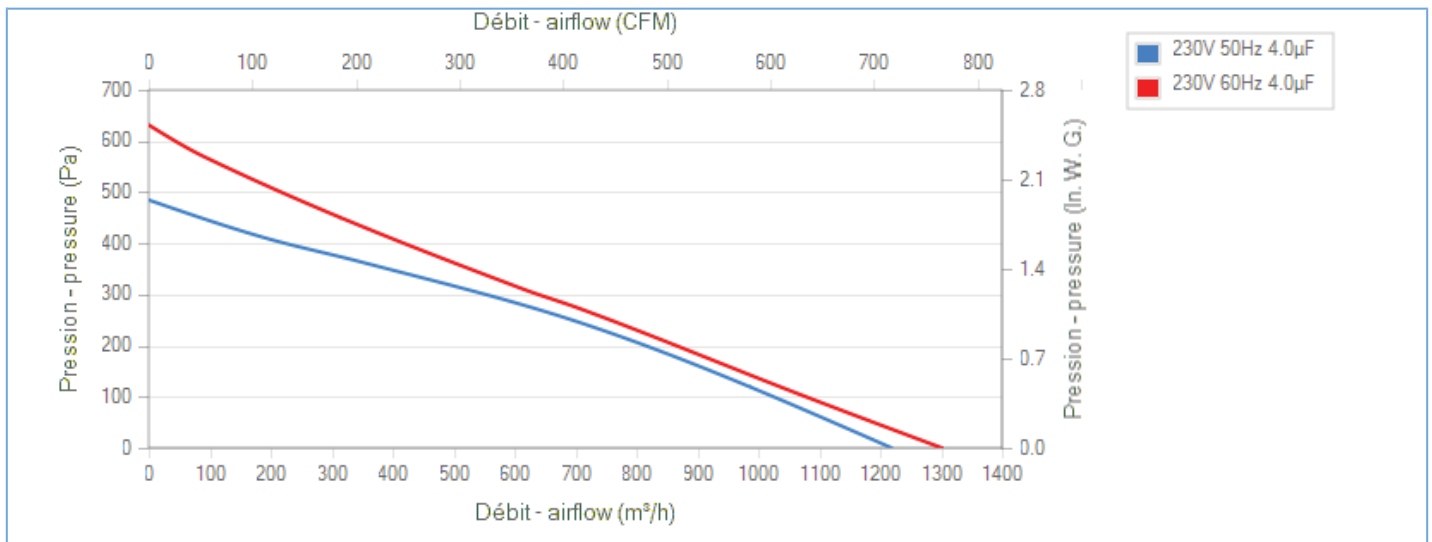
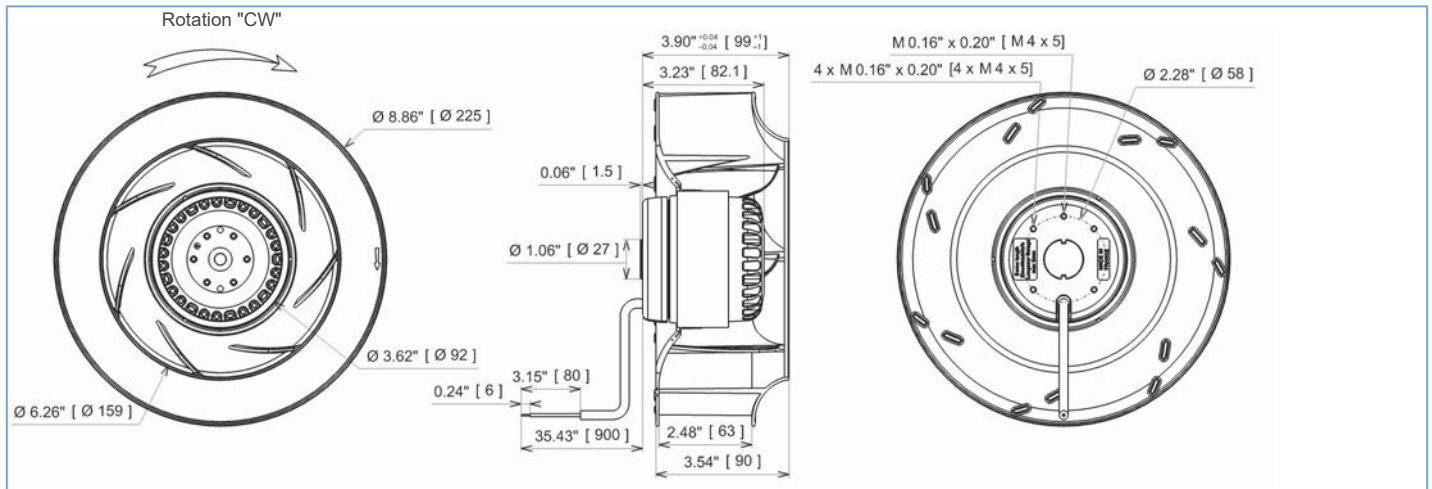
dBa : free blowing

ErP 2013

NOK

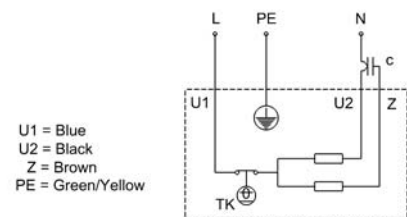
ErP 2015

NOK



Description

- .Weight : 2,4 Kg
- .Ball bearing
- .Class F, thermally protected
- .IP44 protection depending on installation and position as per EN60034-5
- .G2.5 balancing
- .Rotor : black paint
- .PA 6/6 UL 94 V-0 plastic impeller
- .Motor - UL Recognized component



Non contractual document. All specifications are subject to change without prior notice. Picture for information only.



2RREu35 225x63R

C25-A4 p

DATA SHEET

release. e - Revision 09-2017

Data in accordance to ErP directive

Voltage	230	V
Frequency	50	Hz
Power	0,158	kW ⁽¹⁾
Airflow	700	m ³ /h ⁽¹⁾
Pressure	248	Pa ⁽¹⁾
Rotation speed	2379	RPM ⁽¹⁾

(1) at optimal efficiency point

For service use only in Europe according ErP directive EU 2009/125/EC

Accessories

- 19220
- 19220
- 16214

Measurement setup

16214 Ouie Ø252 ext Ø153 int GALVA

Documents

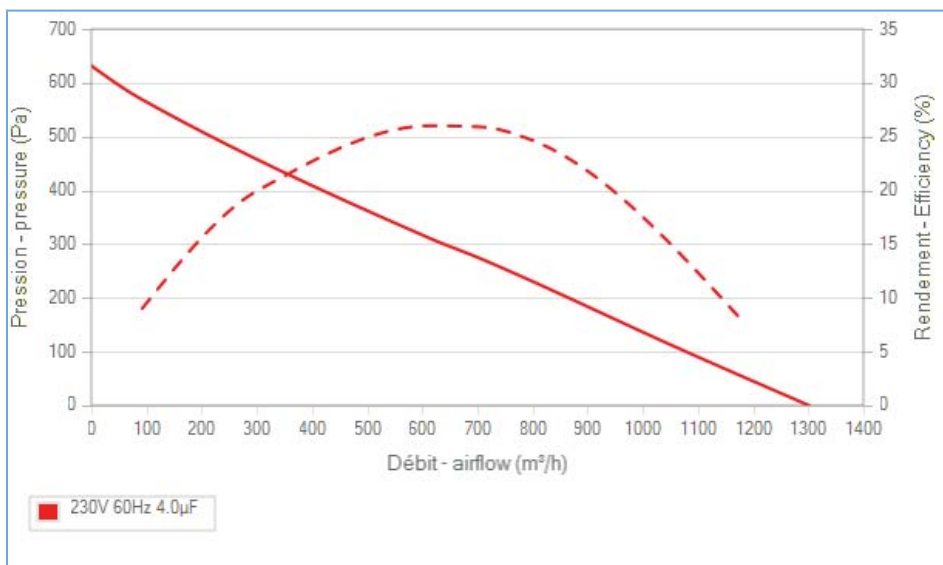
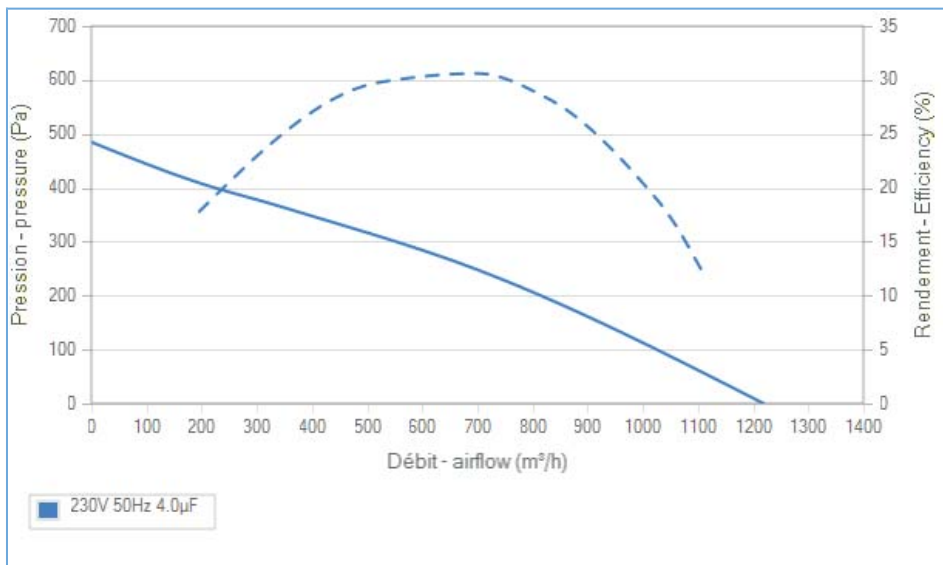
- Manuel d'utilisation
www.ecofit.com/site/normes
- Operating and recycling manual
www.ecofit.com/anglais/normes



UL2111 (XEW2,8)
N° file E135223
2RS935



A041865
2RS935CN



Non contractual document. All specifications are subject to change without prior notice. Picture for information only.



2RRMu35 225x50R

P12-A2 p



DATA SHEET

release. b - Revision 06-2018

Voltage	Frequency	Input Power	Input Current	Capacitor	Airflow	Rotation speed	Direction rotation	Admissible Temperature
V	Hz	W	A	µF	m³/h	RPM		Min/Max
230	50	96	0,42	4,0	1000	2665	R	-40°C / +70°C
230	60	137	0,62	4,0	1080	2880	R	-40°C / +70°C
230	50				588 CFM			-40°F / 158°F
230	60				635 CFM			-40°F / 158°F



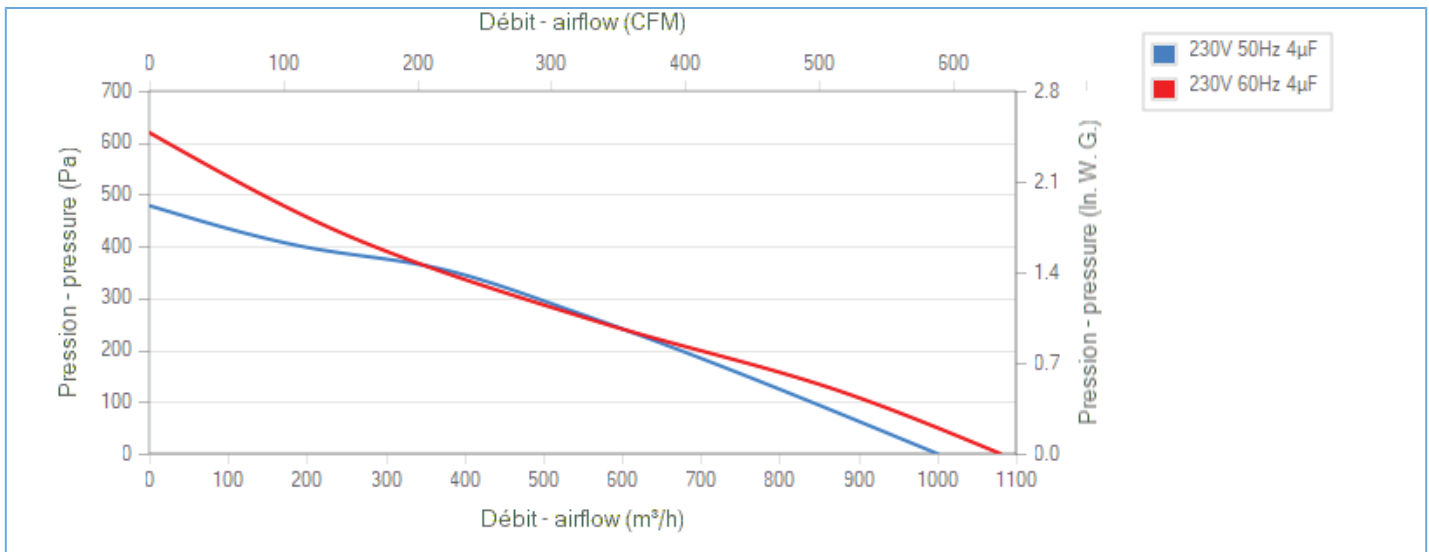
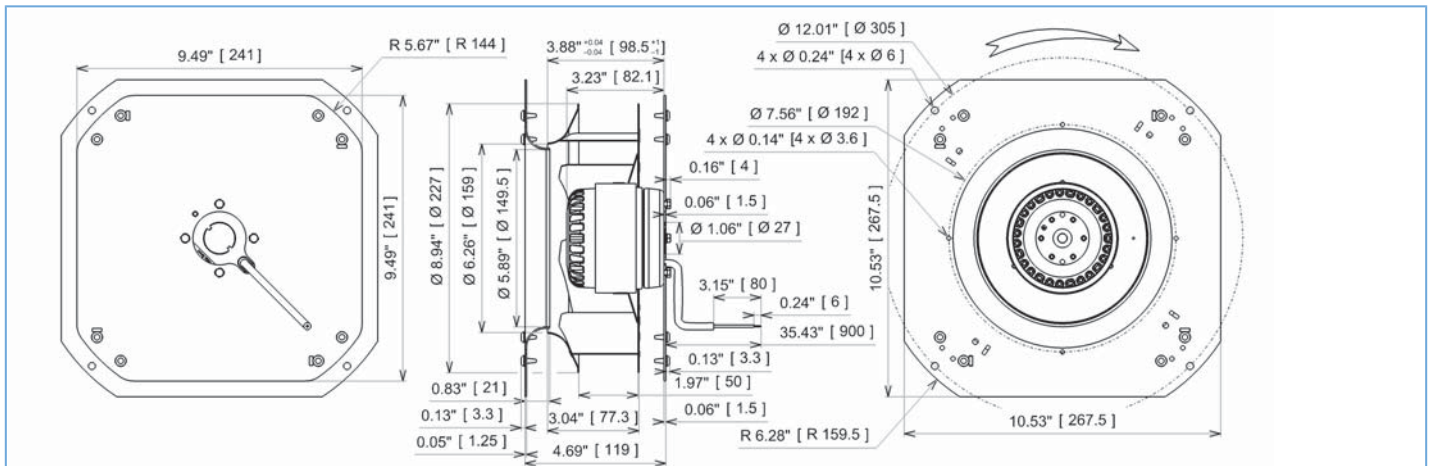
NA : not applicable

ErP 2013

NA

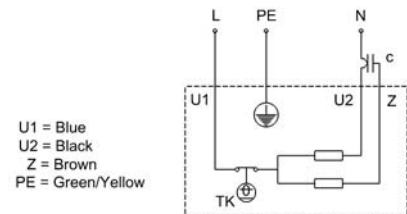
ErP 2015

NA



Description

- .Weight : 5,0 Kg
- .Ball bearing
- .Class F, thermally protected
- .IP44 protection depending on installation and position as per EN60034-5
- .G2.5 balancing
- .Rotor : black paint
- .Galvanized steel impeller



Non contractual document. All specifications are subject to change without prior notice. Picture for information only.



2RRMu35 225x50R

P12-A2 p



DATA SHEET

release. b - Revision 06-2018

Data in accordance to ErP directive

Voltage	230	V
Frequency	50	Hz
Power	0,124	kW ⁽¹⁾
Airflow	546	m ³ /h ⁽¹⁾
Pressure	271	Pa ⁽¹⁾
Rotation speed	2470	RPM ⁽¹⁾

(1) at optimal efficiency point

ErP directive (EU 2009/125/EC) not applicable :
Power at optimum energy efficiency point

Accessories

- 19220
- 19220
- 21194

Measurement setup

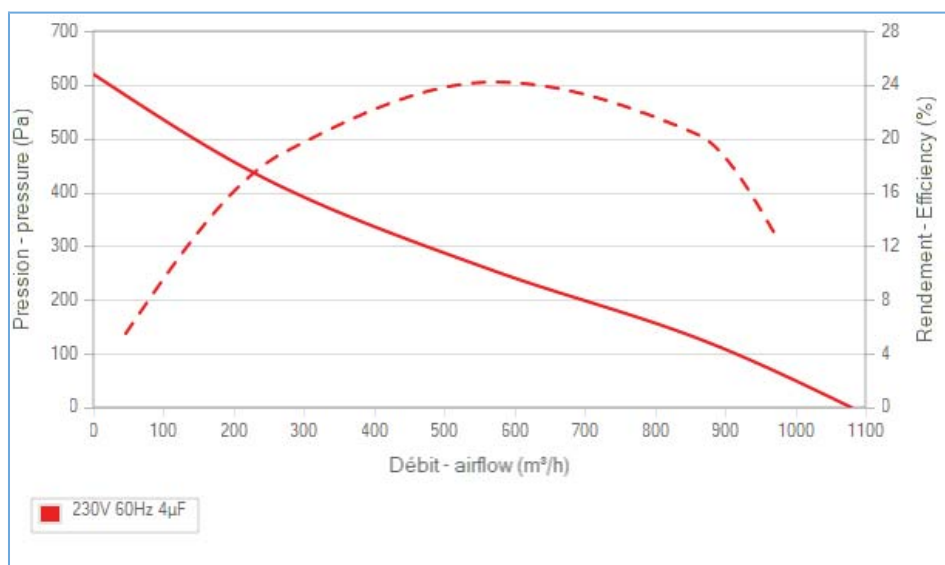
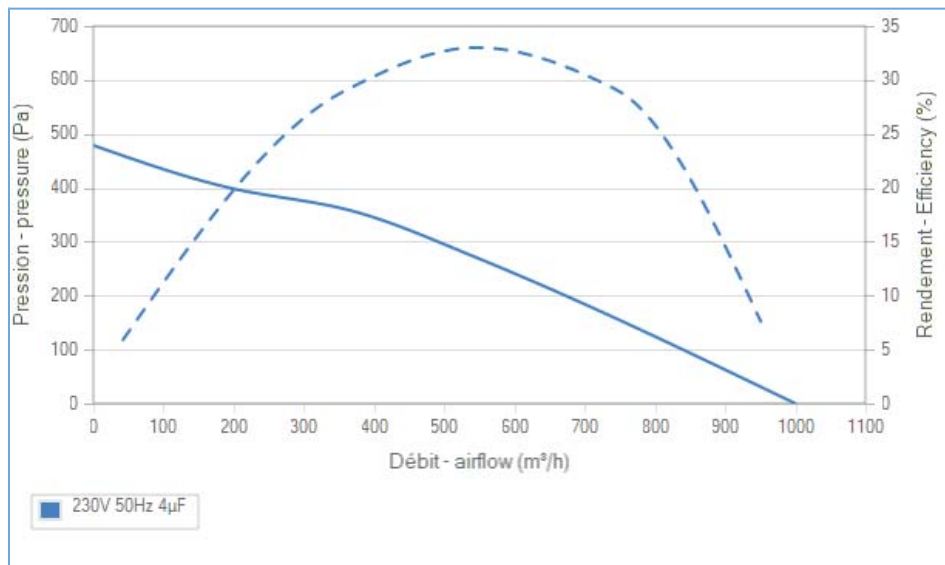
16214 Ouie Ø252 ext Ø153 int GALVA

Documents

- Manuel d'utilisation
www.ecofit.com/site/normes
- Operating and recycling manual
www.ecofit.com/anglais/normes



UL2111 (XEW2,8)
N° file E135223
2RS935



Non contractual document. All specifications are subject to change without prior notice. Picture for information only.



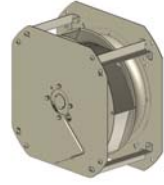
2RRMu35 225x50R (120V) P12-A3 p



DATA SHEET

release. a - Revision 06-2018

Voltage	Frequency	Input Power	Input Current	Capacitor	Airflow	Rotation speed	Direction rotation	Admissible Temperature
V	Hz	W	A	μ F	m ³ /h	RPM		Min/Max
120	50	97	0,9	16,0	990	2650	R	-40°C / +70°C
120	60	140	1,25	16,0	1075	2870	R	-40°C / +70°C
120	50				582 CFM			-40°F / 158°F
120	60				632 CFM			-40°F / 158°F



NA : not applicable

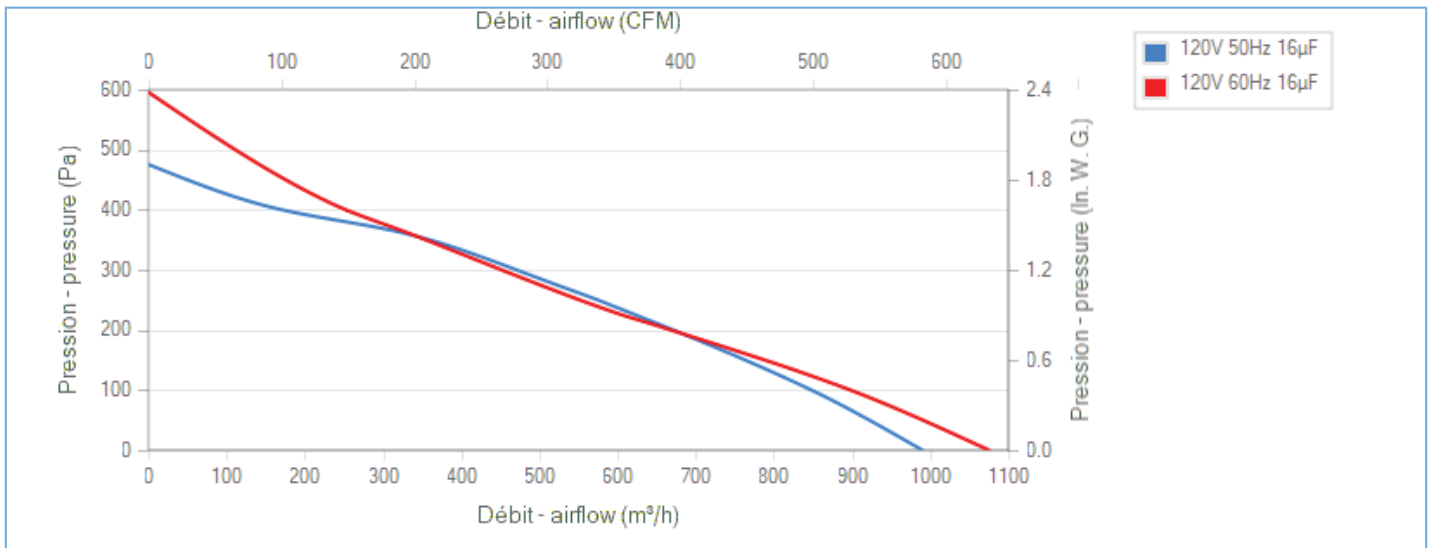
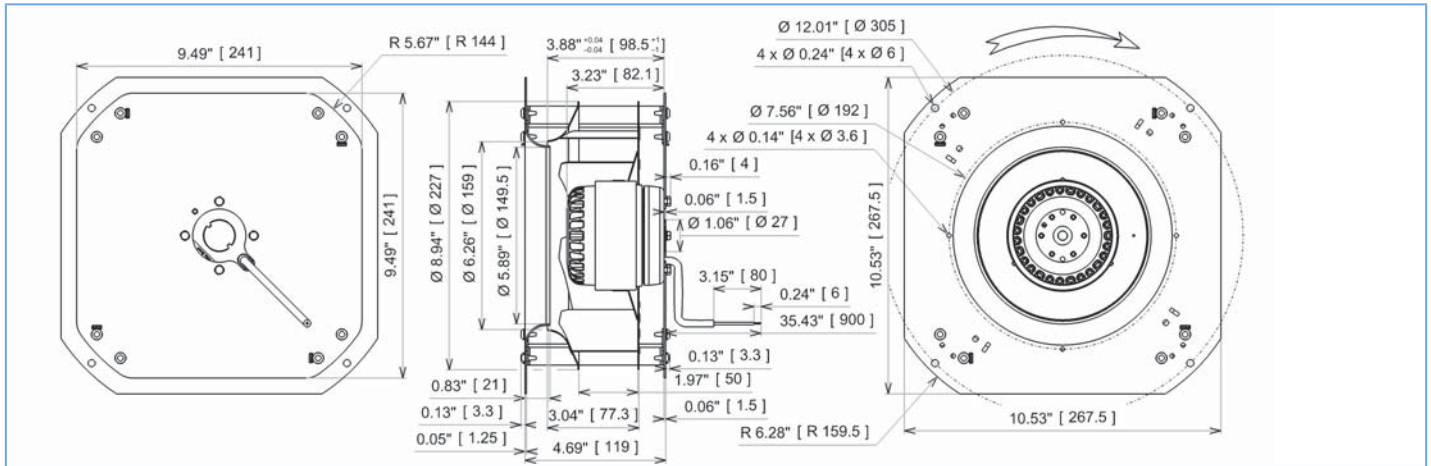
ErP 2013

NA

ErP 2015

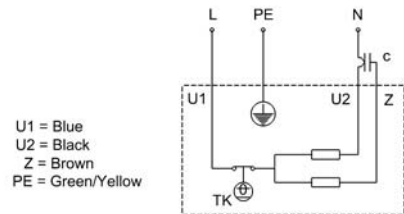
NA

Non contractual document. All specifications are subject to change without prior notice. Picture for information only.



Description

- .Weight : 5,0 Kg
- .Ball bearing
- .Class F, thermally protected
- .IP44 protection depending on installation and position as per EN60034-5
- .G2.5 balancing
- .Rotor : black paint
- .Galvanized steel impeller



U1 = Blue
 U2 = Black
 Z = Brown
 PE = Green/Yellow



2RRMu35 225x50R (120V) P12-A3 p



DATA SHEET

release. a - Revision 06-2018

Data in accordance to ErP directive

Voltage	120	V
Frequency	50	Hz
Power	0,120	kW ⁽¹⁾
Airflow	557	m ³ /h ⁽¹⁾
Pressure	258	Pa ⁽¹⁾
Rotation speed	2407	RPM ⁽¹⁾

(1) at optimal efficiency point

ErP directive (EU 2009/125/EC) not applicable :
Power at optimum energy efficiency point

Accessories

- 19251
- 19251
- 21194

Measurement setup

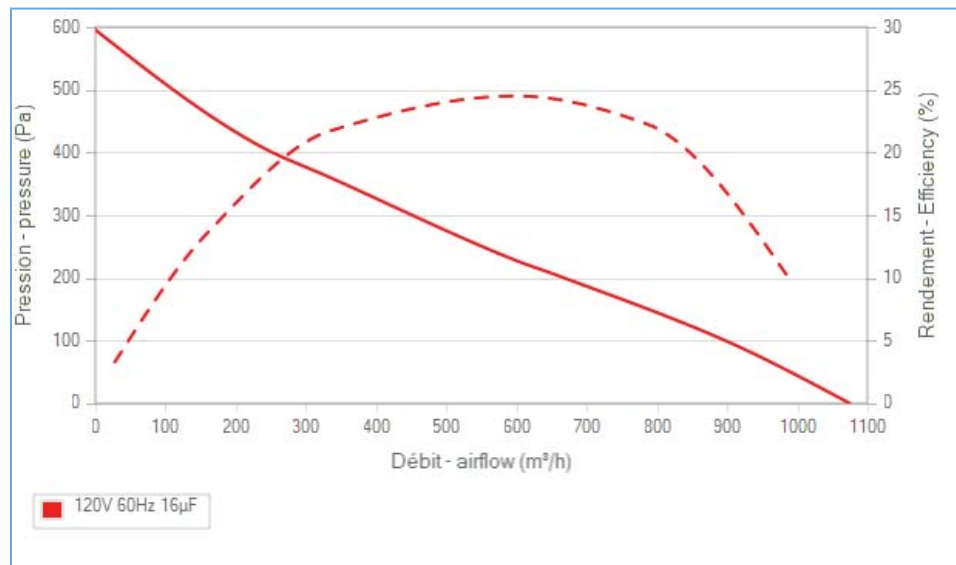
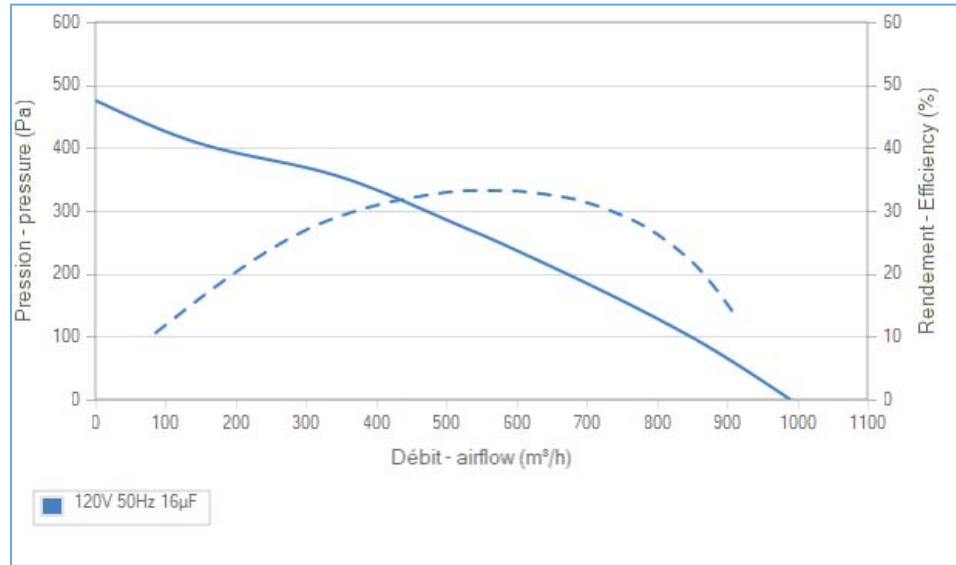
16236

Documents

- Manuel d'utilisation
www.ecofit.com/site/normes
- Operating and recycling manual
www.ecofit.com/anglais/normes



UL2111 (XEW2,8)
N° file E135223
2RS935



Non contractual document. All specifications are subject to change without prior notice. Picture for information only.



2RREu45 225x50R

P38-C2 p



DATA SHEET

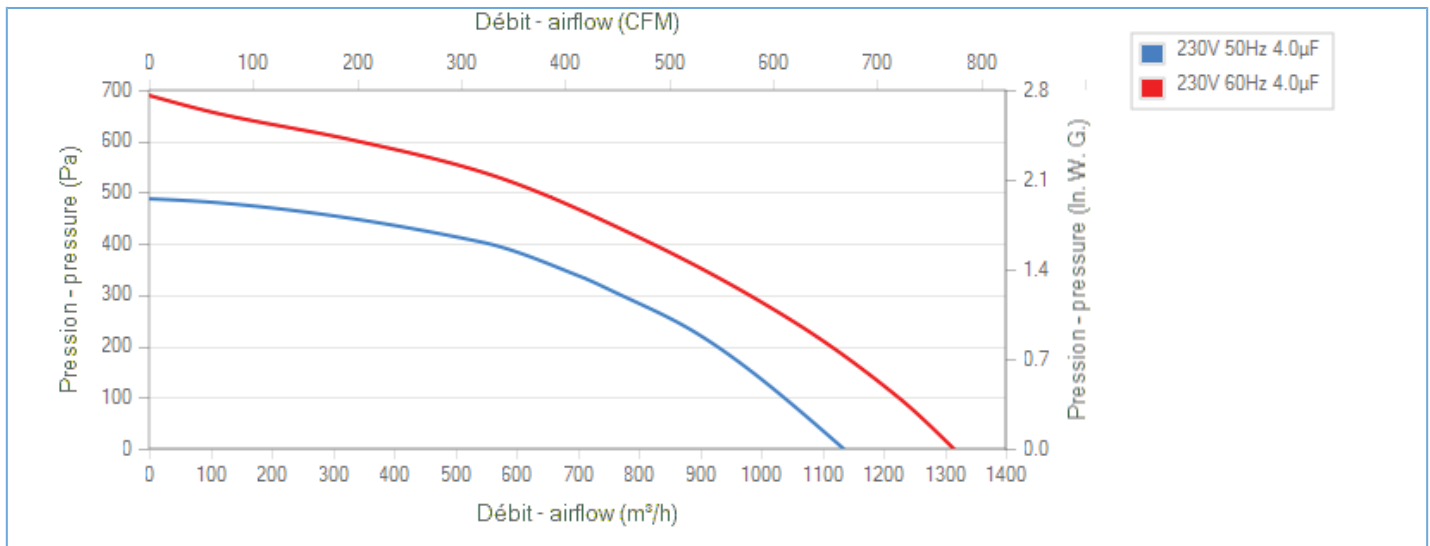
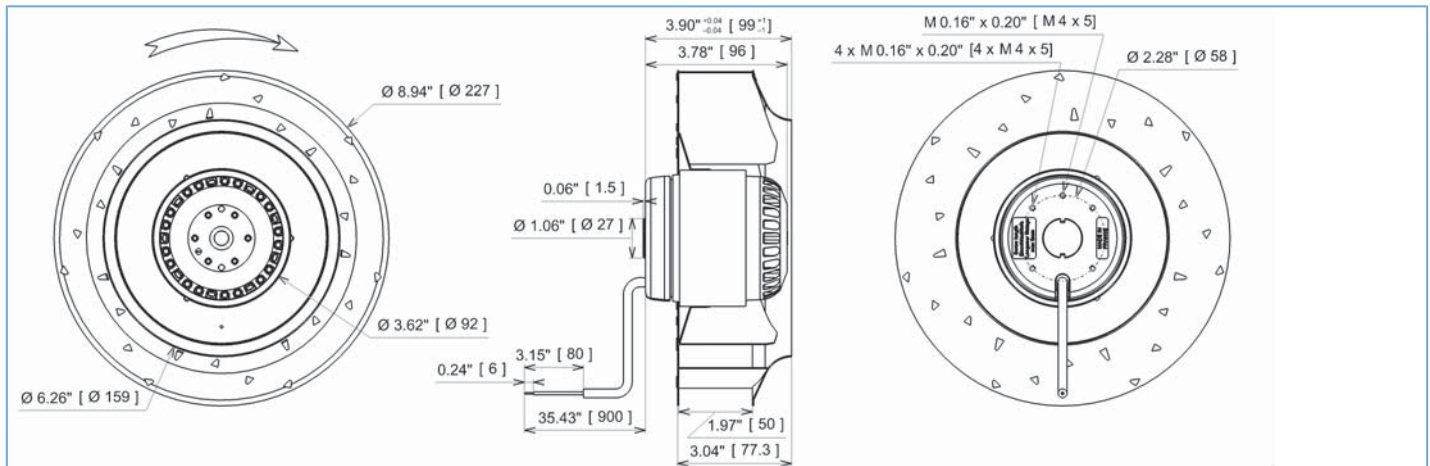
release. 0 - Revision 07-2018

Voltage	Frequency	Input Power	Input Current	Capacitor	Airflow	Rotation speed	Acoustic level	Direction rotation	Admissible Temperature
V	Hz	W	A	µF	m³/h	RPM	dBA	↻	Min/Max
230	50	110	0,49	4,0	1135	2860	71	R	-40°C / +70°C
230	60	165	0,72	4,0	1315	3315	75	R	-40°C / +70°C
230	50				668 CFM				-40°F / 158°F
230	60				774 CFM				-40°F / 158°F



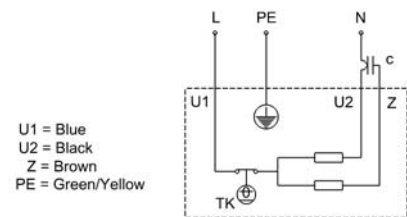
dBA : free blowing

ErP 2013 OK ErP 2015 OK



Description

- .Weight : 2,5 Kg
- .Ball bearing
- .Class F, thermally protected
- .IP44 protection depending on installation and position as per EN60034-5
- .G2.5 balancing
- .Rotor : black paint
- .Galvanized steel impeller
- .Motor - UL Recognized component



Non contractual document. All specifications are subject to change without prior notice. Picture for information only.



2RREu45 225x50R

P38-C2 p



DATA SHEET

release. 0 - Revision 07-2018

Data in accordance to ErP directive

Voltage	230	V
Frequency	50	Hz
Power	0,149	kW ⁽¹⁾
Airflow	757	m ³ /h ⁽¹⁾
Pressure	308	Pa ⁽¹⁾
Rotation speed	2739	RPM ⁽¹⁾

(1) at optimal efficiency point

	Actual	Request 2013	Request 2015
Overall efficiency (η)	43,5	38,8	42,8
Efficiency grade	63	58	62
Installation category	A		
Efficiency category	static		
Variable speed drive	No		
Specific ratio	1,00		

Designed for regular application according ErP directive EU 2009/125/EC

Accessories

- 19220
- 19220
- 21194
- 16236

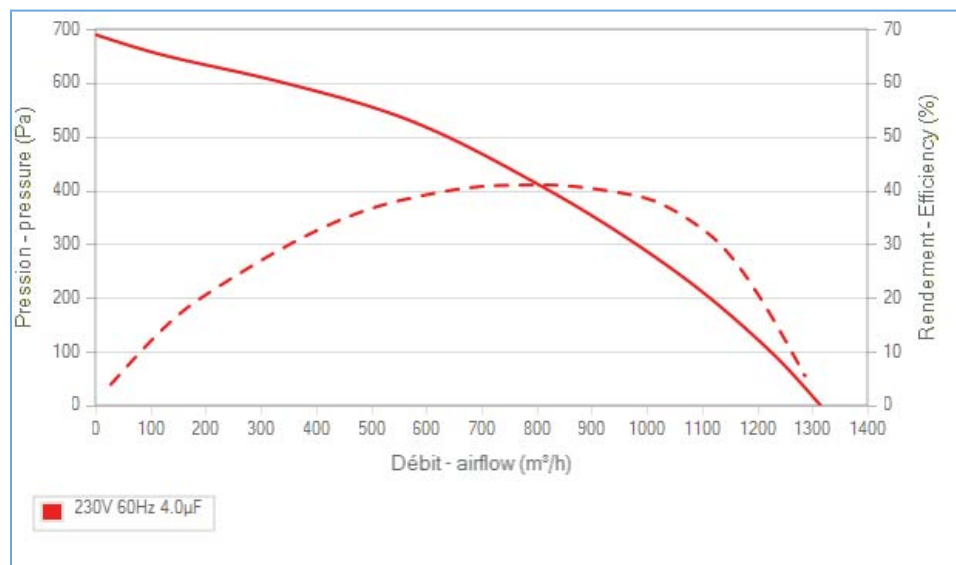
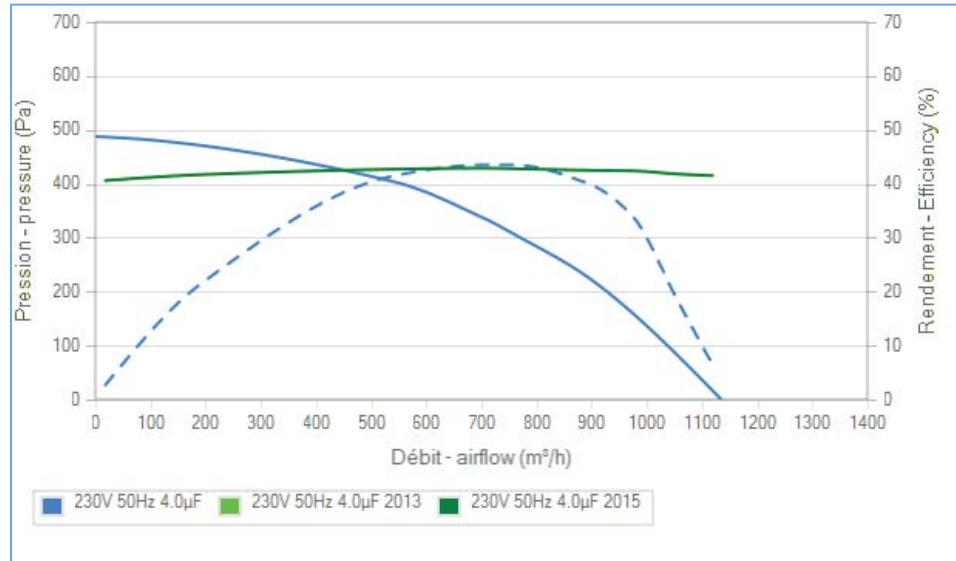
Measurement setup

- 16236

Documents

Manuel d'utilisation
www.ecofit.com/site/normes

Operating and recycling manual
www.ecofit.com/anglais/normes



Non contractual document. All specifications are subject to change without prior notice. Picture for information only.



UL2111 (XEW2,8)
 N° file E135223
 2RS945



2RREu45 225x50R (120V) P38-C3 p



DATA SHEET

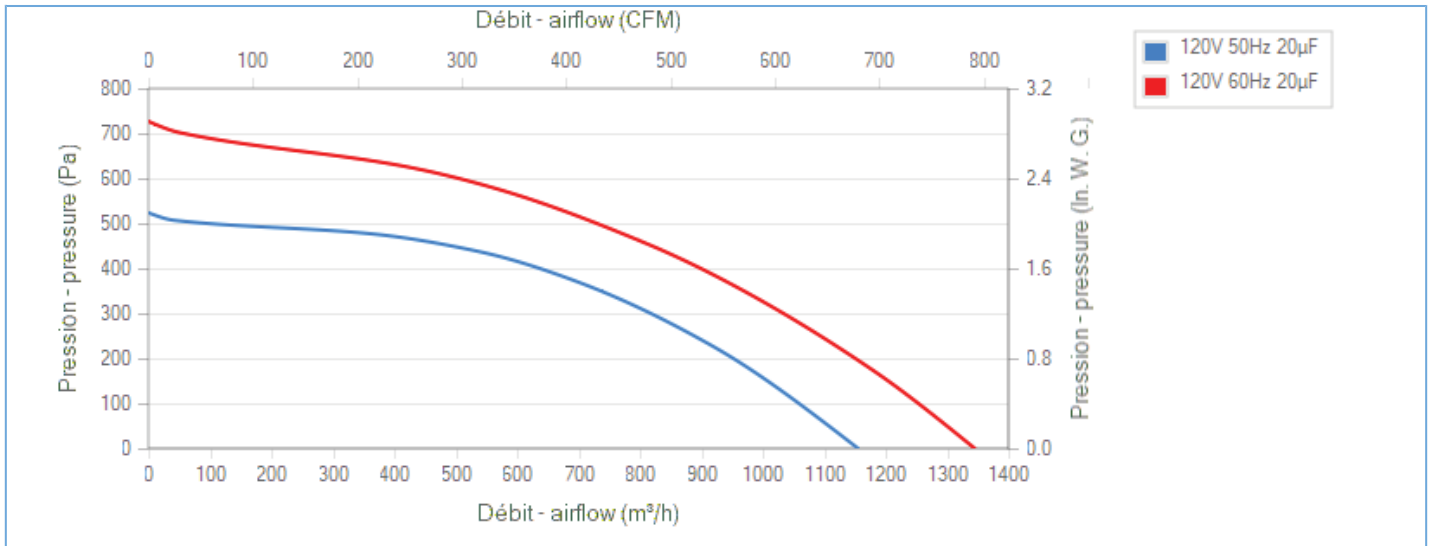
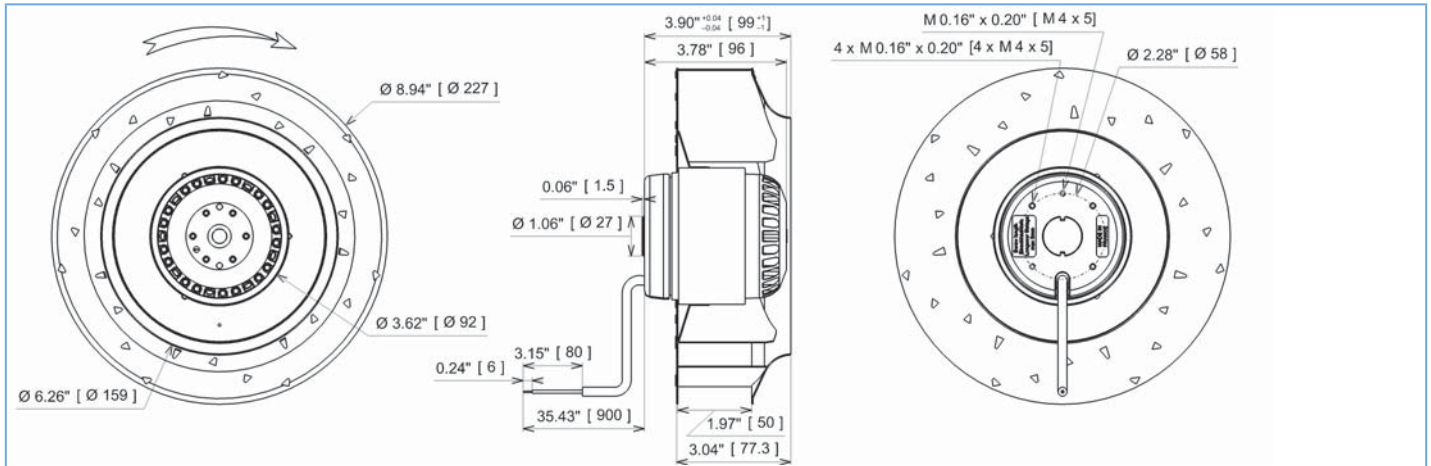
release. a - Revision 07-2018

Voltage	Frequency	Input Power	Input Current	Capacitor	Airflow	Rotation speed	Acoustic level	Direction rotation	Admissible Temperature
V	Hz	W	A	µF	m³/h	RPM	dBA	↻	Min/Max
120	50	125	1,06	20,0	1155	2840		R	-40°C / +70°C
120	60	178	1,53	20,0	1345	3305		R	-40°C / +70°C
120	50				679 CFM				-40°F / 158°F
120	60				791 CFM				-40°F / 158°F



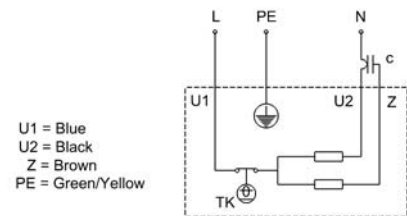
dBA : free blowing

ErP 2013 OK ErP 2015 OK



Description

- .Weight : 3,0 Kg
- .Ball bearing
- .Class F, thermally protected
- .IP44 protection depending on installation and position as per EN60034-5
- .G2.5 balancing
- .Rotor : black paint
- .Galvanized steel impeller
- .Motor - UL Recognized component



Non contractual document. All specifications are subject to change without prior notice. Picture for information only.



2RREu45 225x50R (120V) P38-C3 p



DATA SHEET

release. a - Revision 07-2018

Data in accordance to ErP directive

Voltage	120	V
Frequency	50	Hz
Power	0,163	kW ⁽¹⁾
Airflow	701	m ³ /h ⁽¹⁾
Pressure	369	Pa ⁽¹⁾
Rotation speed	2745	RPM ⁽¹⁾
(1) at optimal efficiency point		

	Actual	Request 2013	Request 2015
Overall efficiency (η)	44,1	39,2	43,2
Efficiency grade	63	58	62
Installation category	A		
Efficiency category	static		
Variable speed drive	No		
Specific ratio	1,00		

Designed for regular application according ErP directive EU 2009/125/EC

Accessories

19252

19252

21194

16236

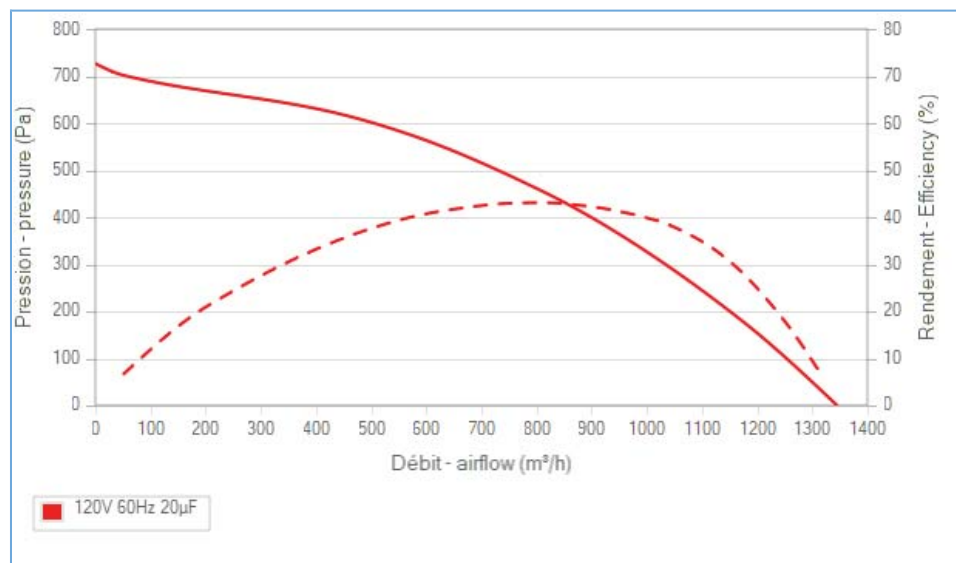
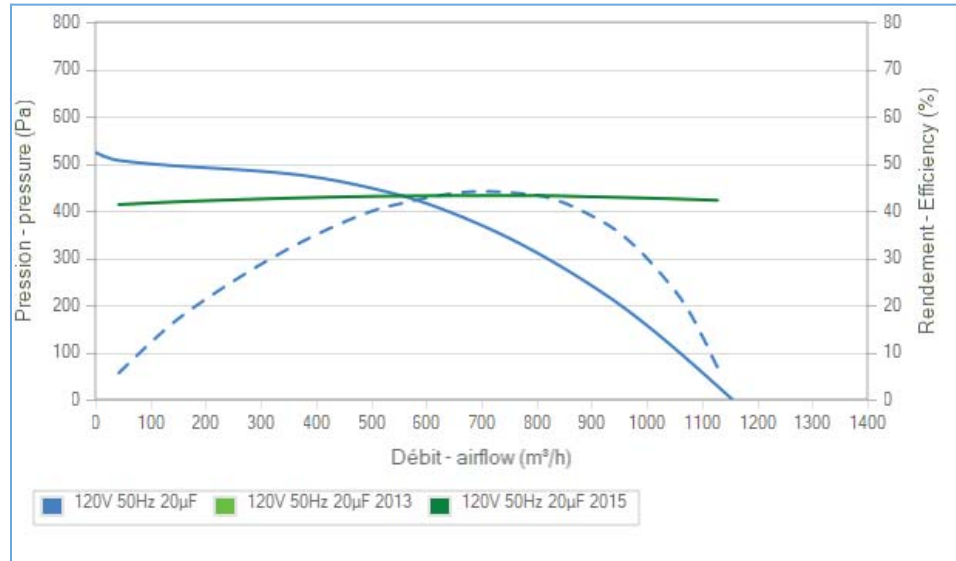
Measurement setup

16236

Documents

Manuel d'utilisation
www.ecofit.com/site/normes

Operating and recycling manual
www.ecofit.com/anglais/normes



Non contractual document. All specifications are subject to change without prior notice. Picture for information only.



UL2111 (XEW2,8)
 N° file E135223
 2RS945



2RREu35 225x50R

Q17-A1 p



DATA SHEET

release. 0 - Revision 10-2016

Voltage	Frequency	Input Power	Input Current	Capacitor	Airflow	Rotation speed	Acoustic level	Direction rotation	Admissible Temperature
V	Hz	W	A	µF	m³/h	RPM	dBA	↻	Min/Max
230	50	90	0,4	4,0	1150	2710	69	R	-40°C / +70°C
230	60	124	0,57	4,0	1290	3065	72	R	-40°C / +70°C
230	50				676 CFM				-40°F / 158°F
230	60				759 CFM				-40°F / 158°F



dBa : free blowing

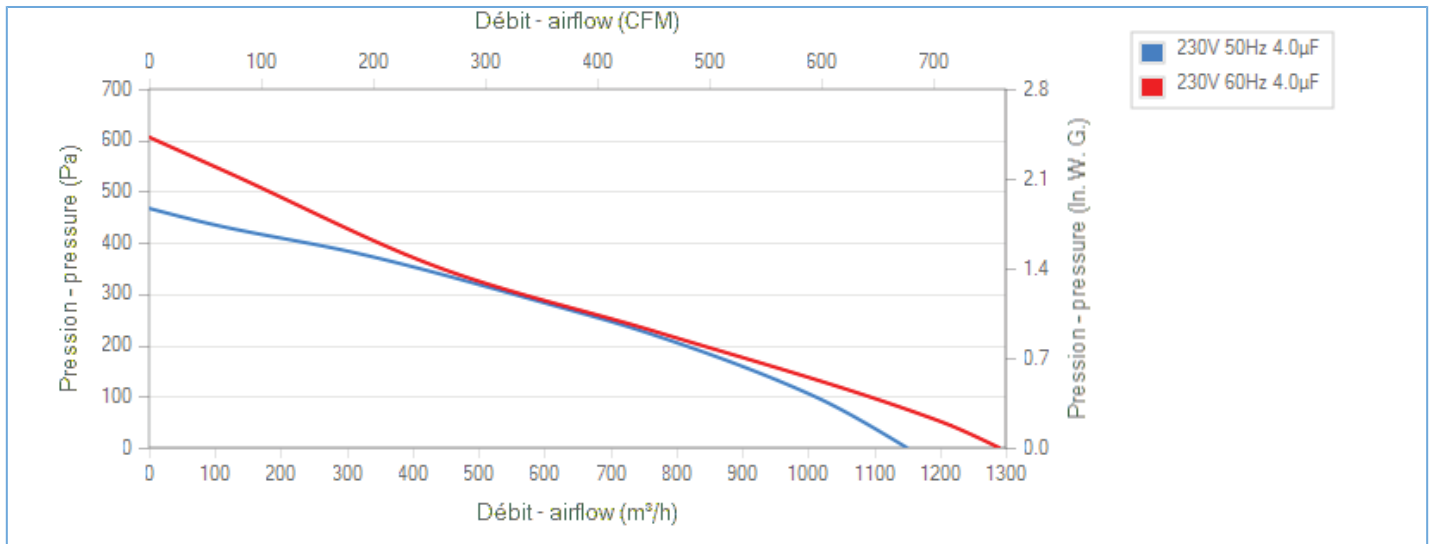
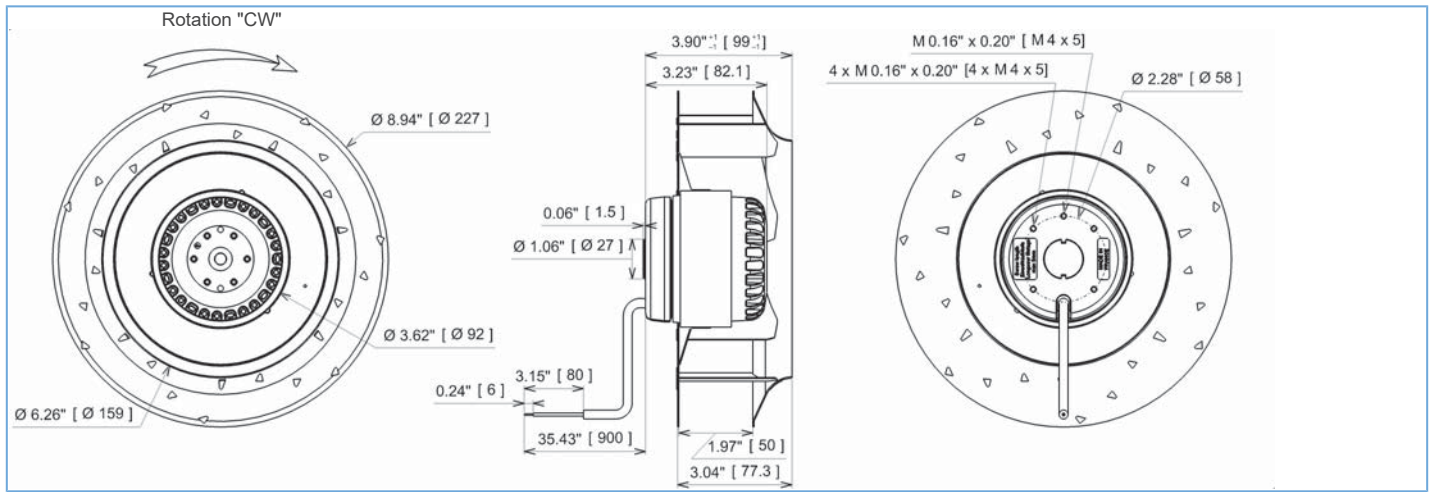
NA : not applicable

ErP 2013

NA

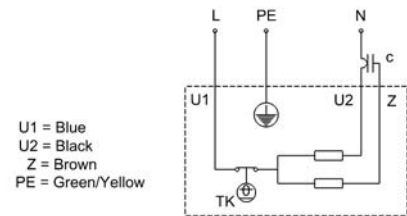
ErP 2015

NA



Description

- .Weight : 2,4 Kg
- .Ball bearing
- .Class F, thermally protected
- .IP44 protection depending on installation and position as per EN60034-5
- .G2.5 balancing
- .Rotor : black paint
- .Galvanized steel impeller



Non contractual document. All specifications are subject to change without prior notice. Picture for information only.



2RREu35 225x50R

Q17-A1 p



DATA SHEET

release. 0 - Revision 10-2016

Data in accordance to ErP directive

Voltage	230	V
Frequency	50	Hz
Power	0,123	kW ⁽¹⁾
Airflow	756	m ³ /h ⁽¹⁾
Pressure	224	Pa ⁽¹⁾
Rotation speed	2463	RPM ⁽¹⁾

(1) at optimal efficiency point

ErP directive (EU 2009/125/EC) not applicable :
Power at optimum energy efficiency point

Accessories

- 19220
- 19220
- 21194
- 16236

Measurement setup

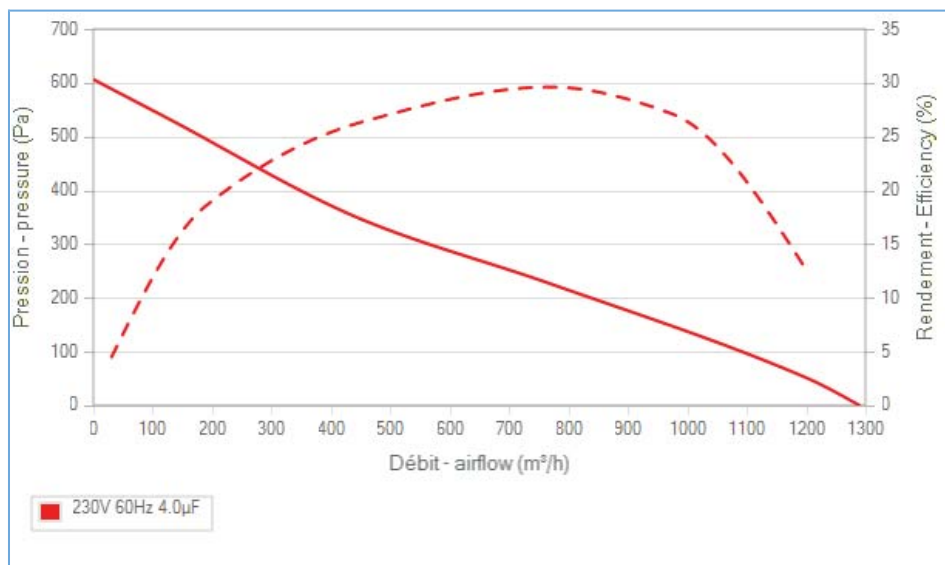
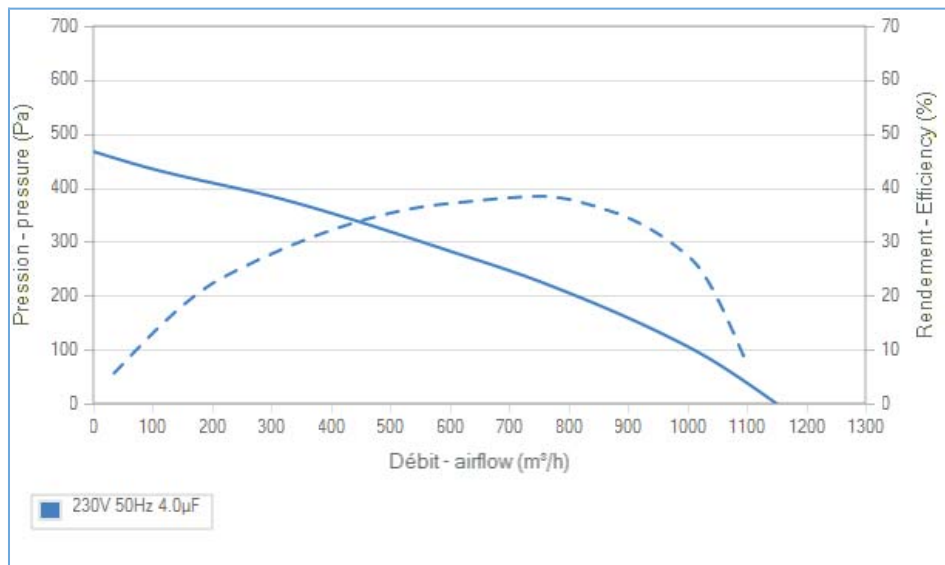
- 16236

Documents

- Manuel d'utilisation
www.ecofit.com/site/normes
- Operating and recycling manual
www.ecofit.com/anglais/normes



UL2111 (XEWR2,8)
N° file E135223
2RS935



Non contractual document. All specifications are subject to change without prior notice. Picture for information only.



2RREu45 250x56R (115V) E15-A5 p

DATA SHEET

Replace B12-A4 p

release. c - Revision 09-2017

Voltage	Frequency	Input Power	Input Current	Capacitor	Airflow	Rotation speed	Acoustic level	Direction rotation	Admissible Temperature
V	Hz	W	A	µF	m³/h	RPM	dBA	↻	Min/Max
115	50	175	1,61	25,0	1485	2690	72	R	-40°C / +60°C
115	60	235	2,05	25,0	1705	3050	75	R	-40°C / +60°C
115	50				874 CFM				-40°F / 140°F
115	60				1003 CFM				-40°F / 140°F



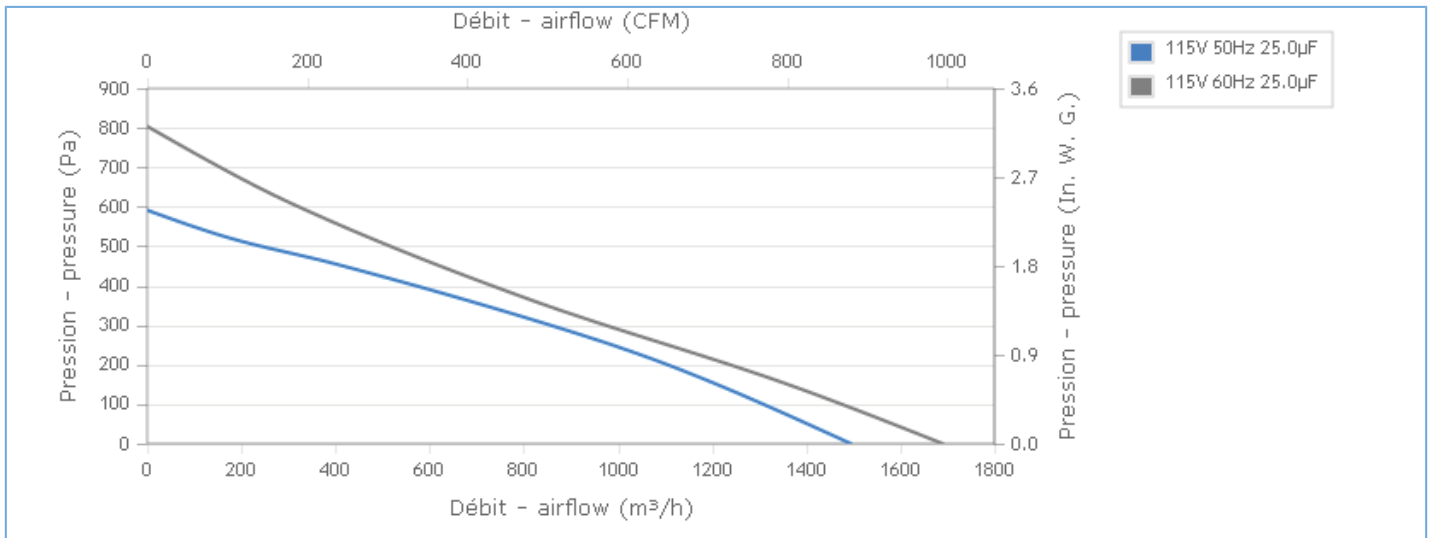
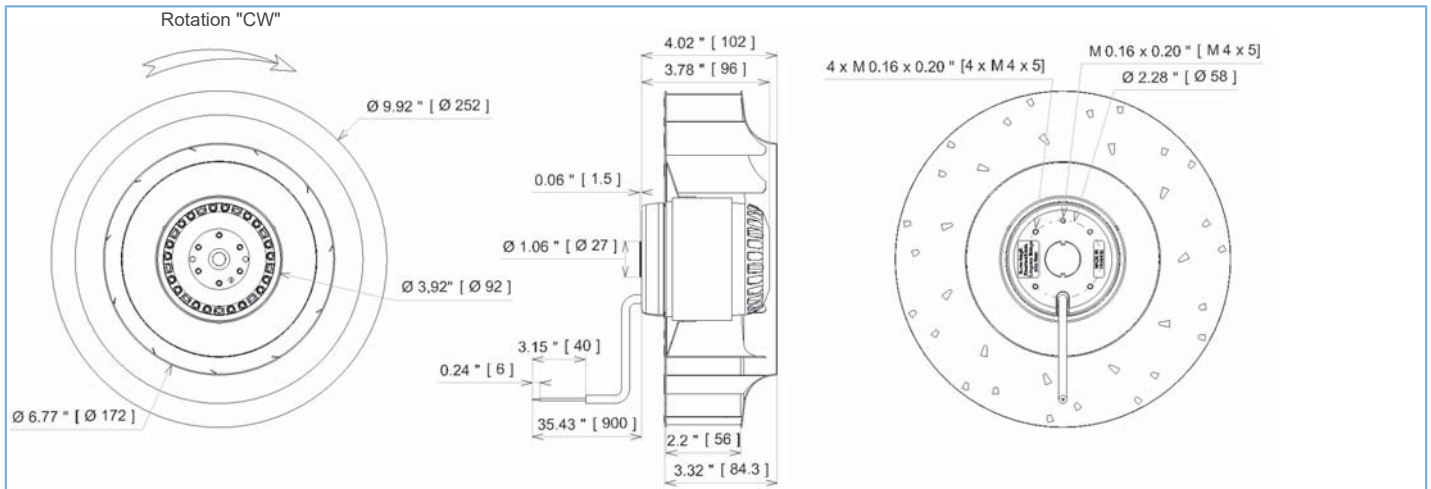
dBA : free blowing

ErP 2013

NOK

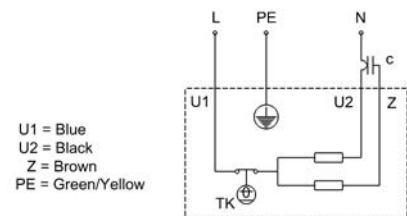
ErP 2015

NOK



Description

- .Weight : 3,4 Kg
- .Ball bearing
- .Class F, thermally protected
- .IP44 protection depending on installation and position as per EN60034-5
- .G2.5 balancing
- .Rotor : black paint
- .Galvanized steel impeller
- .Motor - UL Recognized component



Non contractual document. All specifications are subject to change without prior notice. Picture for information only.



2RREu45 250x56R (115V)

E15-A5 p

DATA SHEET

Replace B12-A4 p

release. c - Revision 09-2017

Data in accordance to ErP directive

Voltage	115	V
Frequency	50	Hz
Power	0,217	kW ⁽¹⁾
Airflow	864	m ³ /h ⁽¹⁾
Pressure	297	Pa ⁽¹⁾
Rotation speed	2460	RPM ⁽¹⁾

(1) at optimal efficiency point

For service use only in Europe according ErP directive EU 2009/125/EC

Accessories

- 19257
- 19257
- 21360
- 16114

Measurement setup

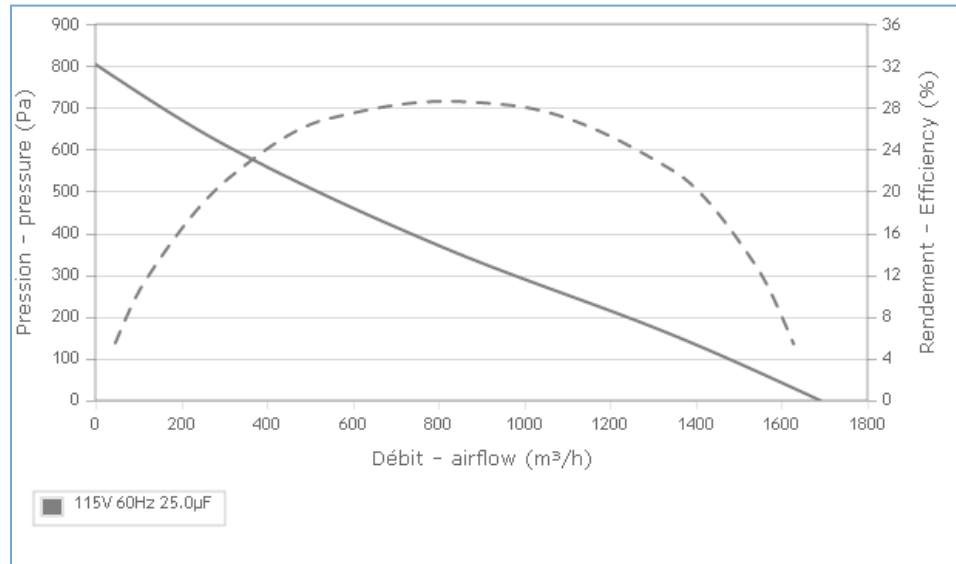
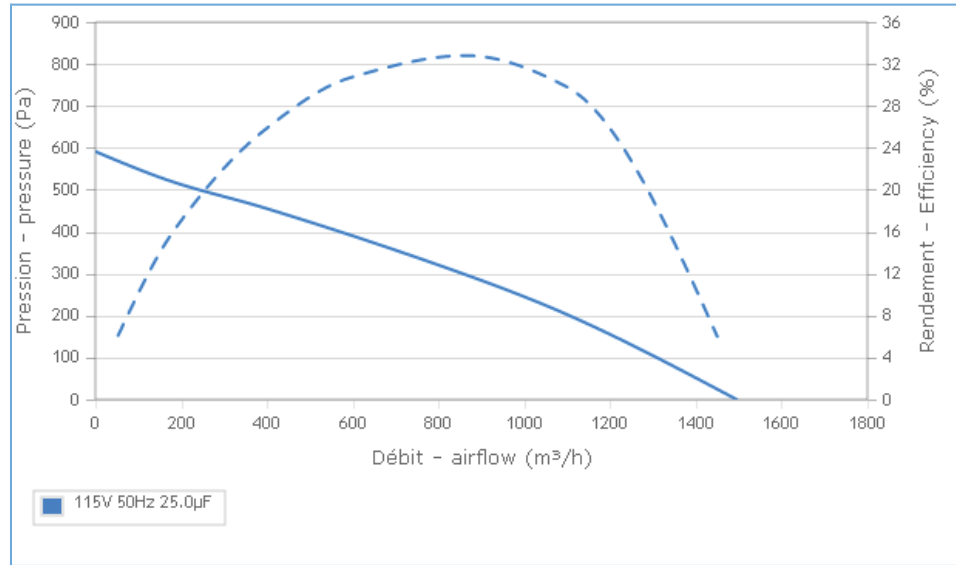
16114 M07-457 PAVILLON Dia Int.164 Ext.255 Galva

Documents

- Manuel d'utilisation
www.ecofit.com/site/normes
- Operating and recycling manual
www.ecofit.com/anglais/normes



UL2111 (XEW2,8)
N° file E135223
2RS945



Non contractual document. All specifications are subject to change without prior notice. Picture for information only.



2RREu45 250x50R

N06-B1 p



DATA SHEET

release. 0 - Revision 09-2017

Voltage	Frequency	Input Power	Input Current	Capacitor	Airflow	Rotation speed	Acoustic level	Direction rotation	Admissible Temperature
V	Hz	W	A	µF	m³/h	RPM	dBA	↻	Min/Max
230	50	156	0,68	6,0	1415	2775	73	R	-40°C / +70°C
230	60	230	1,02	6,0	1610	3160	76	R	-40°C / +70°C
230	50				832 CFM				-40°F / 158°F
230	60				947 CFM				-40°F / 158°F



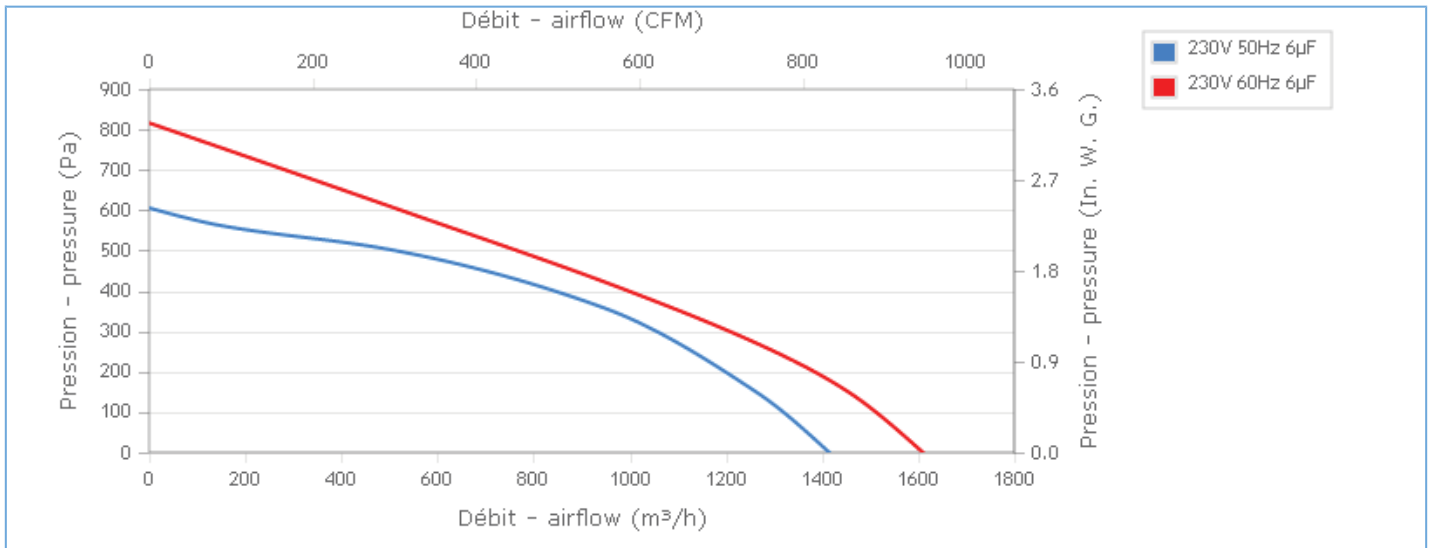
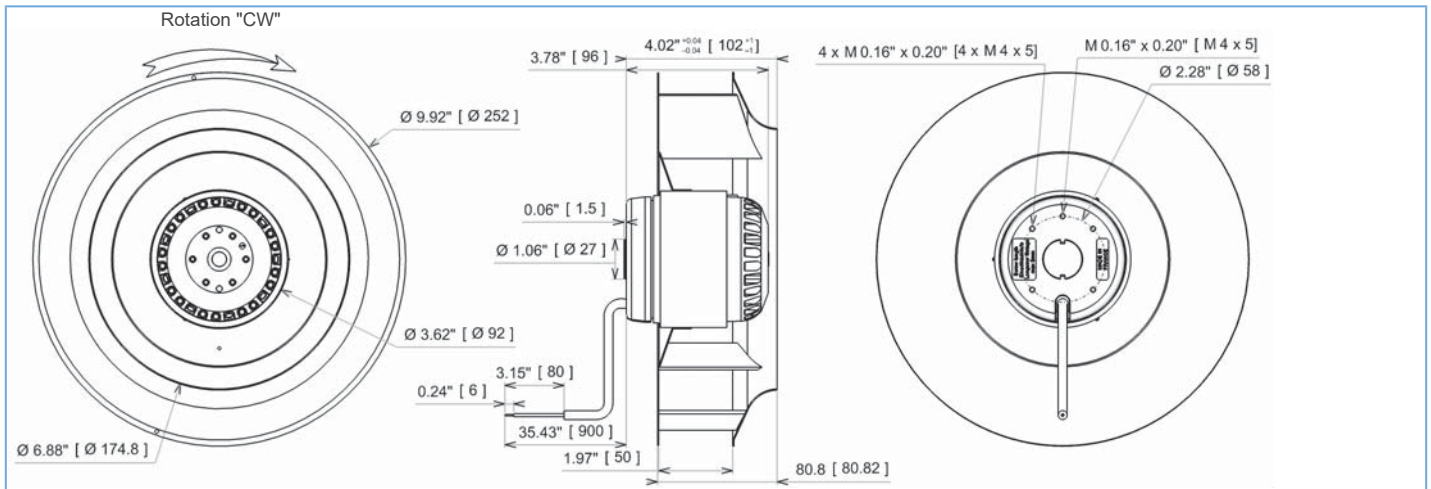
dBA : free blowing

ErP 2013

OK

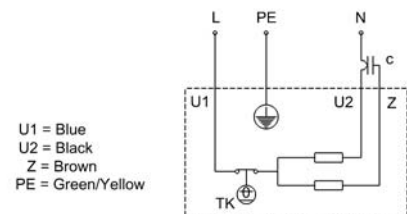
ErP 2015

OK



Description

- .Weight : 3,4 Kg
- .Ball bearing
- .Class F, thermally protected
- .IP44 protection depending on installation and position as per EN60034-5
- .G2.5 balancing
- .Rotor : black paint
- .Galvanized steel impeller
- .Motor - UL Recognized component



Non contractual document. All specifications are subject to change without prior notice. Picture for information only.



2RREu45 250x50R

N06-B1 p



DATA SHEET

release. 0 - Revision 09-2017

Data in accordance to ErP directive

Voltage	230	V
Frequency	50	Hz
Power	0,212	kW ⁽¹⁾
Airflow	949	m ³ /h ⁽¹⁾
Pressure	357	Pa ⁽¹⁾
Rotation speed	2620	RPM ⁽¹⁾

(1) at optimal efficiency point

	Actual	Request 2013	Request 2015
Overall efficiency (η)	44,5	40,4	44,4
Efficiency grade	62	58	62
Installation category	A		
Efficiency category	static		
Variable speed drive	No		
Specific ratio	1,00		

Designed for regular application according ErP directive EU 2009/125/EC

Accessories

- 19221
- 19221
- 16234
- 21360

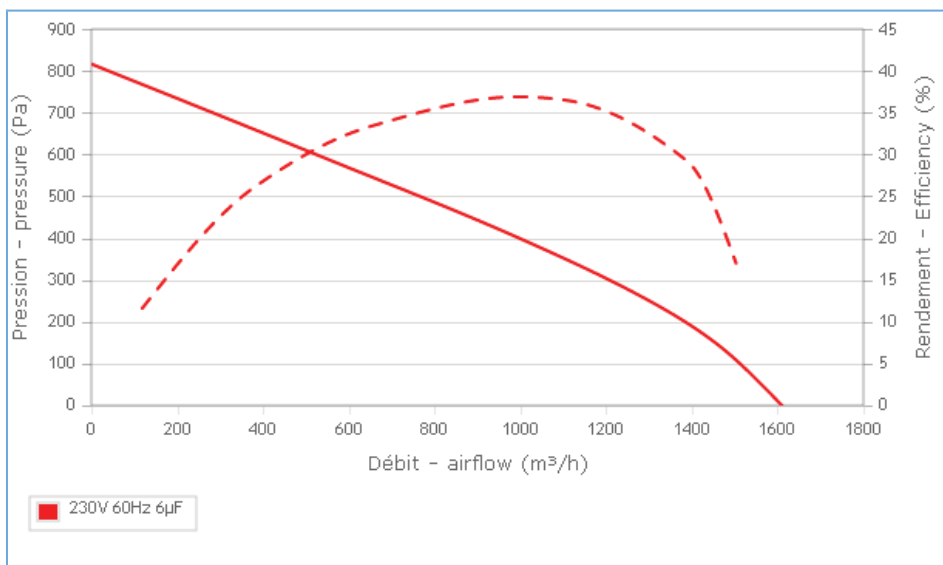
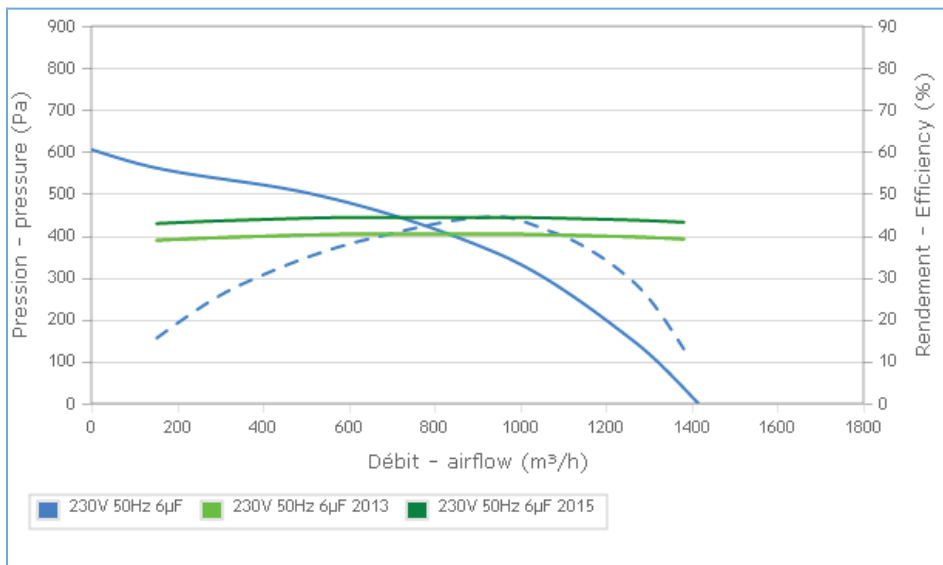
Measurement setup

- 16234

Documents

Manuel d'utilisation
www.ecofit.com/site/normes

Operating and recycling manual
www.ecofit.com/anglais/normes



Non contractual document. All specifications are subject to change without prior notice. Picture for information only.



UL2111 (XEW2,8)
 N° file E135223
 2RS945



2RRMu45 250x50R

N13-A5 p

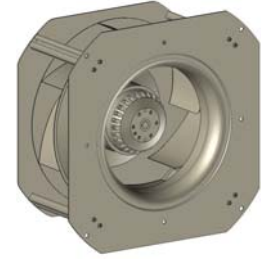


DATA SHEET

release. c - Revision 04-2018

Replace E04-A5

Voltage	Frequency	Input Power	Input Current	Capacitor	Airflow	Rotation speed	Acoustic level	Direction rotation	Admissible Temperature
V	Hz	W	A	µF	m³/h	RPM	dBA	↻	Min/Max
230	50	156	0,68	6,0	1415	2775	71	R	-40°C / +70°C
230	60	230	1,02	6,0	1610	3160	74	R	-40°C / +70°C
230	50				832 CFM				-40°F / 158°F
230	60				947 CFM				-40°F / 158°F



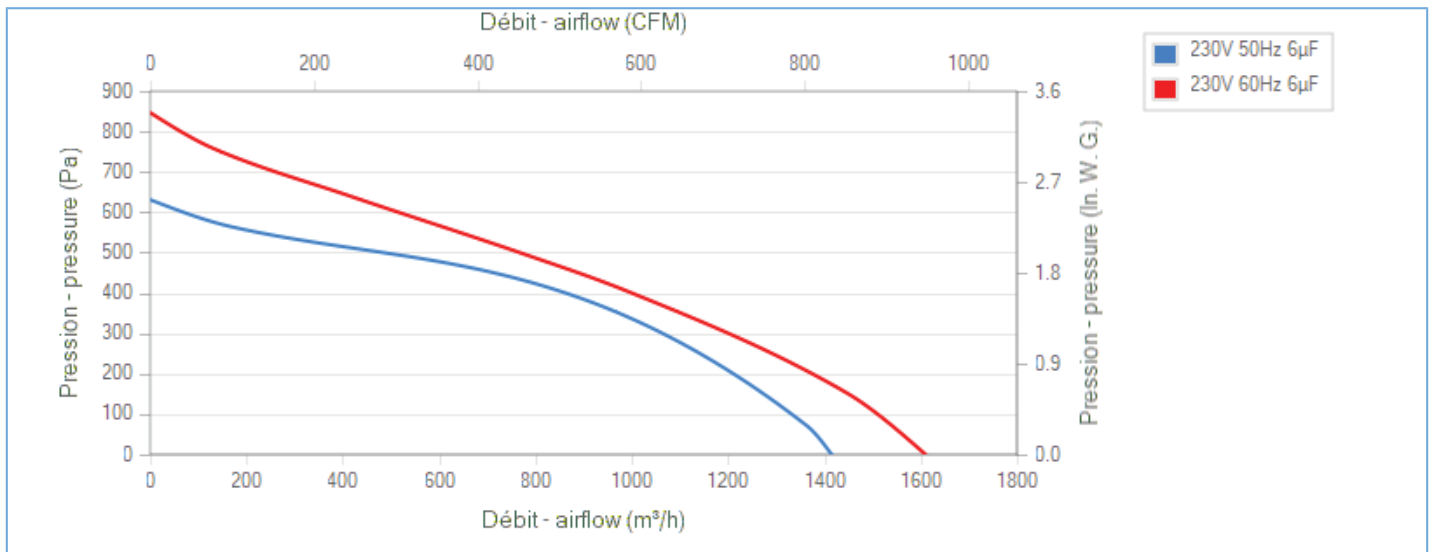
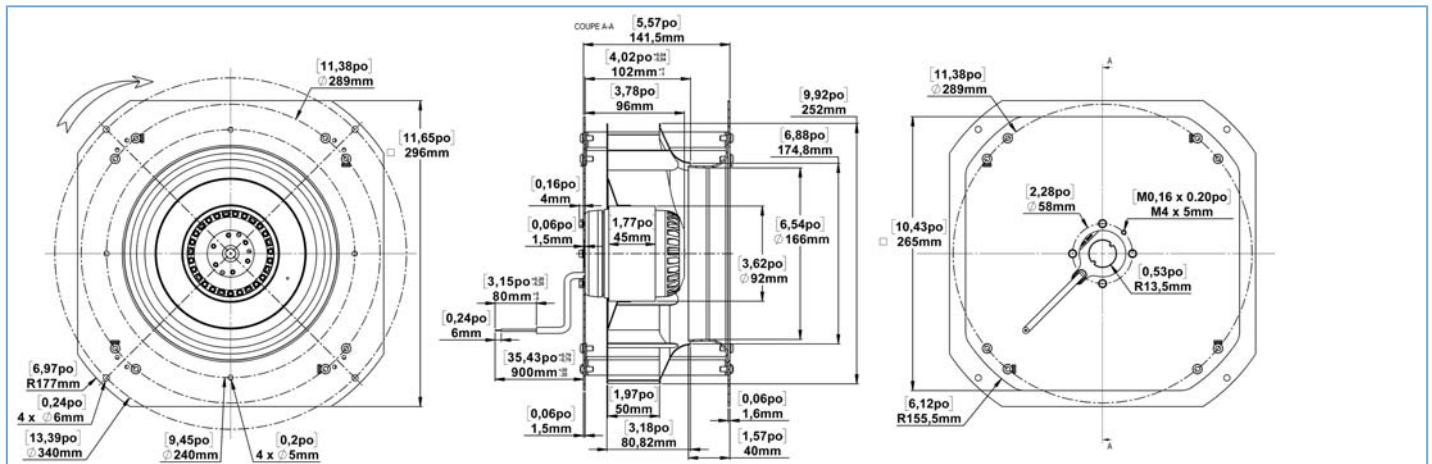
dBA : free blowing

ErP 2013

OK

ErP 2015

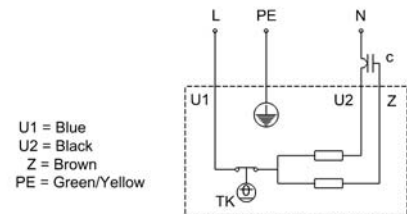
OK



Non contractual document. All specifications are subject to change without prior notice. Picture for information only.

Description

- .Weight : 5,0 Kg
- .Ball bearing
- .Class F, thermally protected
- .IP44 protection depending on installation and position as per EN60034-5
- .G2.5 balancing
- .Rotor : black paint
- .Galvanized steel impeller





2RRMu45 250x50R

N13-A5 p



DATA SHEET

Replace E04-A5

release. c - Revision 04-2018

Data in accordance to ErP directive

Voltage	230	V
Frequency	50	Hz
Power	0,214	kW ⁽¹⁾
Airflow	947	m ³ /h ⁽¹⁾
Pressure	363	Pa ⁽¹⁾
Rotation speed	2623	RPM ⁽¹⁾

(1) at optimal efficiency point

	Actual	Request 2013	Request 2015
Overall efficiency (η)	44,6	40,5	44,5
Efficiency grade	62	58	62
Installation category	A		
Efficiency category	static		
Variable speed drive	No		
Specific ratio	1,00		

Designed for regular application according ErP directive EU 2009/125/EC

Accessories

19221

19221

21360

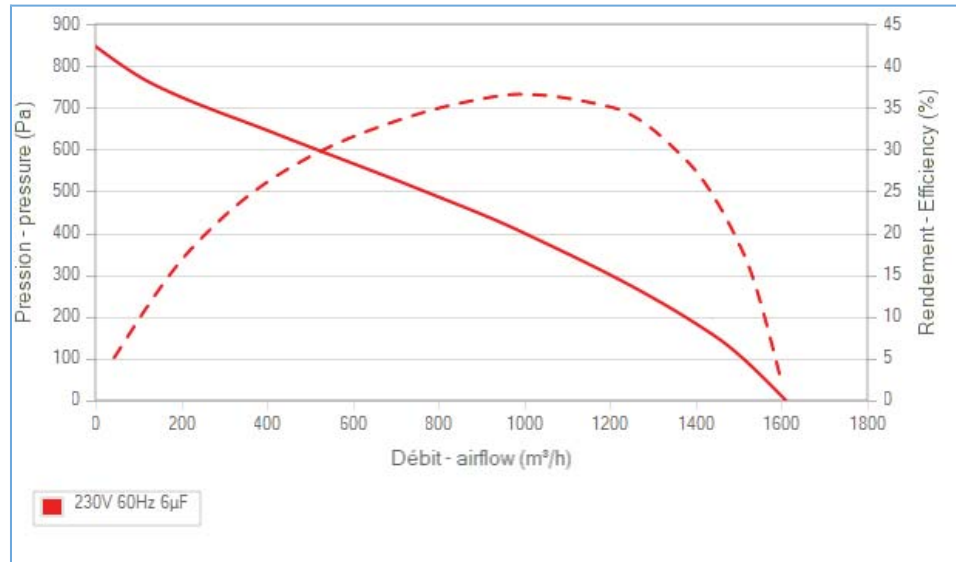
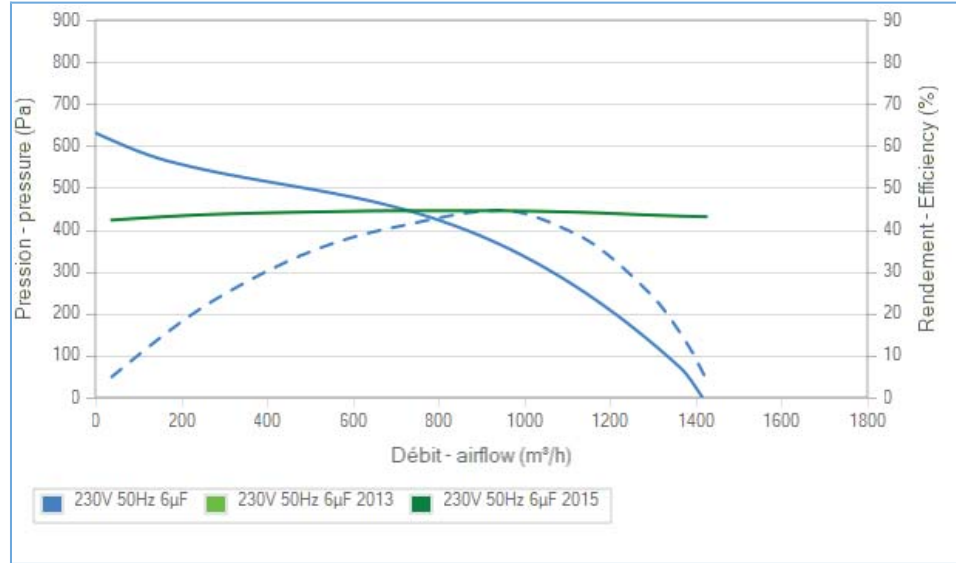
Measurement setup

16234

Documents

Manuel d'utilisation
www.ecofit.com/site/normes

Operating and recycling manual
www.ecofit.com/anglais/normes



Non contractual document. All specifications are subject to change without prior notice. Picture for information only.



UL2111 (XEW2,8)
 N° file E135223
 2RS945



2RREu45 250x50R

Q13-A0 p



DATA SHEET

release. b - Revision 12-2017

Voltage	Frequency	Input Power	Input Current	Capacitor	Airflow	Rotation speed	Acoustic level	Direction rotation	Admissible Temperature
V	Hz	W	A	μF	m³/h	RPM	dBA	↻	Min/Max
230	50	153	0,68	6,0	1550	2760	68	R	-40°C / +70°C
230	60	220	0,97	6,0	1765	3140	71	R	-40°C / +70°C
230	50				912 CFM				-40°F / 158°F
230	60				1038 CFM				-40°F / 158°F



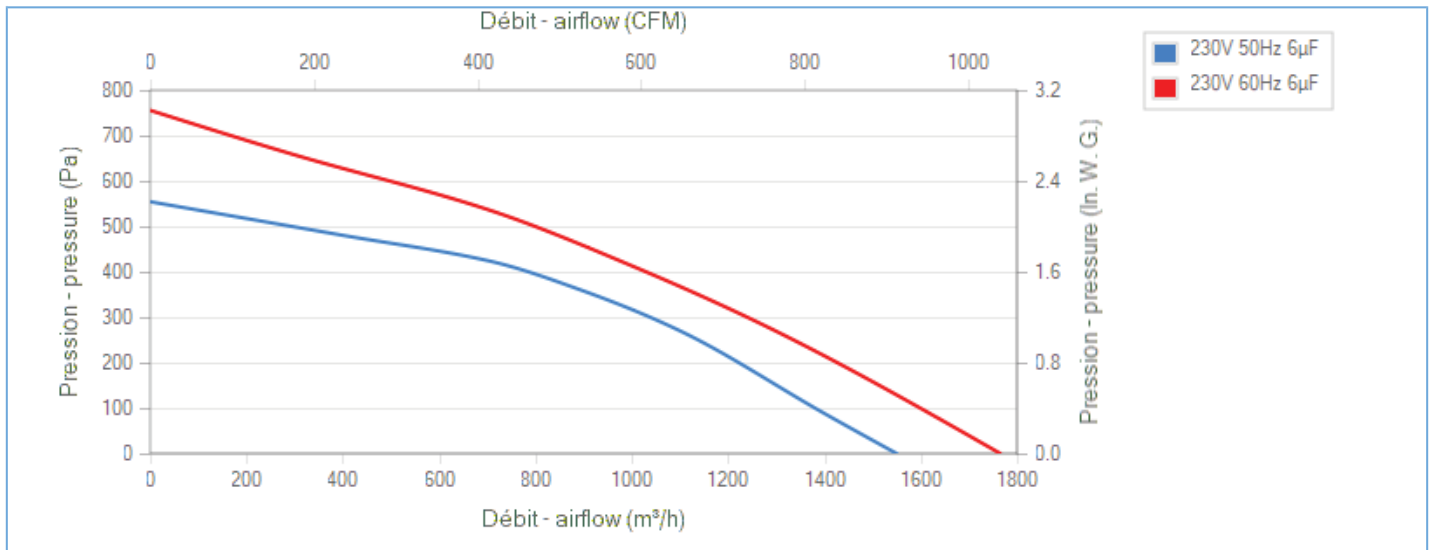
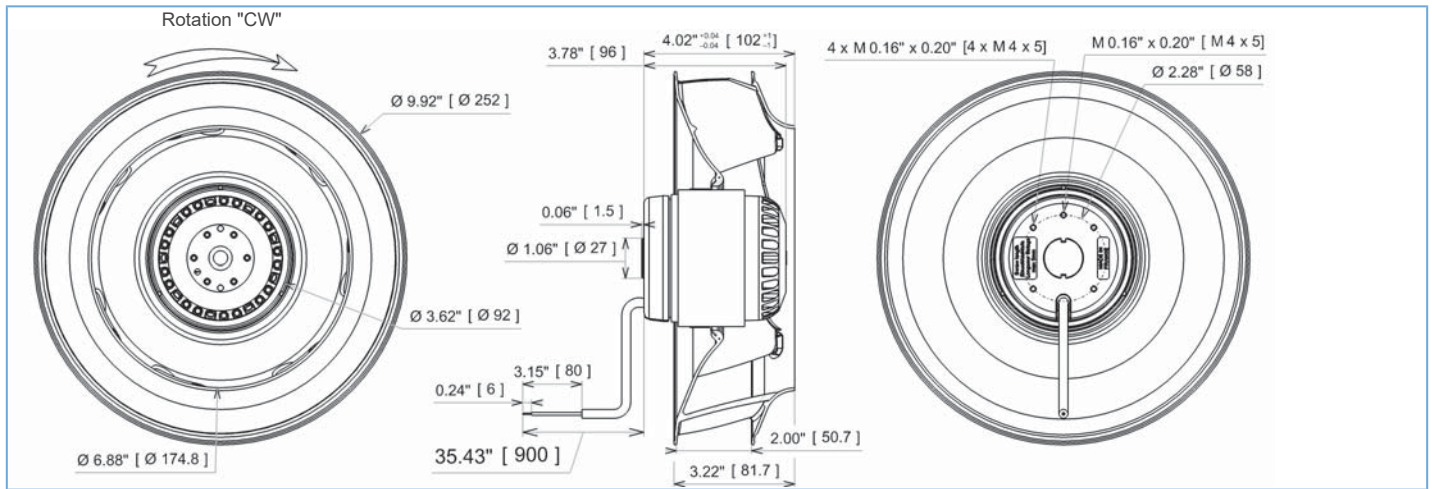
dBA : free blowing

ErP 2013

OK

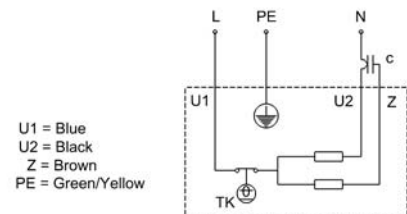
ErP 2015

OK



Description

- .Weight : 3,0 Kg
- .Ball bearing
- .Class F, thermally protected
- .IP44 protection depending on installation and position as per EN60034-5
- .G2.5 balancing
- .Rotor : black paint
- .PA 6/6 plastic impeller
- .Motor - UL Recognized component



Non contractual document. All specifications are subject to change without prior notice. Picture for information only.



2RREu45 250x50R

Q13-A0 p



DATA SHEET

release. b - Revision 12-2017

Data in accordance to ErP directive

Voltage	230	V
Frequency	50	Hz
Power	0,192	kW ⁽¹⁾
Airflow	900	m ³ /h ⁽¹⁾
Pressure	358	Pa ⁽¹⁾
Rotation speed	2658	RPM ⁽¹⁾

(1) at optimal efficiency point

	Actual	Request 2013	Request 2015
Overall efficiency (η)	46,6	40	44
Efficiency grade	65	58	62
Installation category	A		
Efficiency category	static		
Variable speed drive	No		
Specific ratio	1,00		

Designed for regular application according ErP directive EU 2009/125/EC

Accessories

- 19221
- 19221
- 16234
- 21360

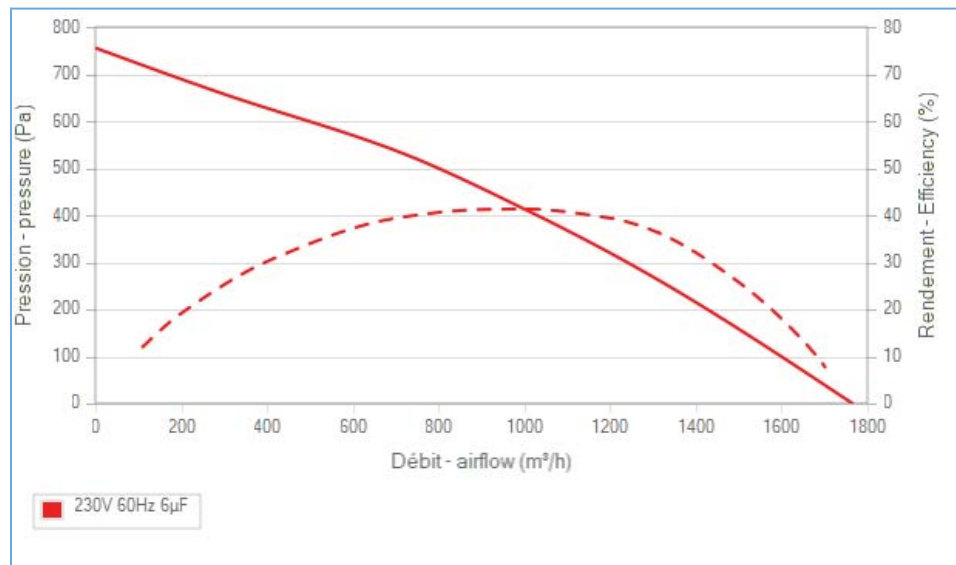
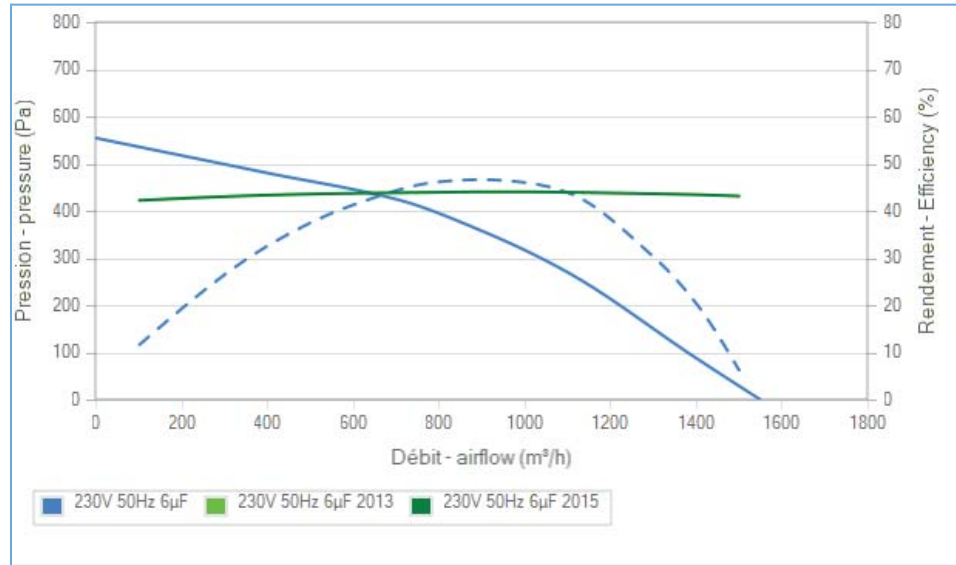
Measurement setup

- 16234

Documents

Manuel d'utilisation
www.ecofit.com/site/normes

Operating and recycling manual
www.ecofit.com/anglais/normes



Non contractual document. All specifications are subject to change without prior notice. Picture for information only.



UL2111 (XEW2,8)
 N° file E135223
 2RS945



2RREu45 250x50R (120V) Q13-A1 p



DATA SHEET

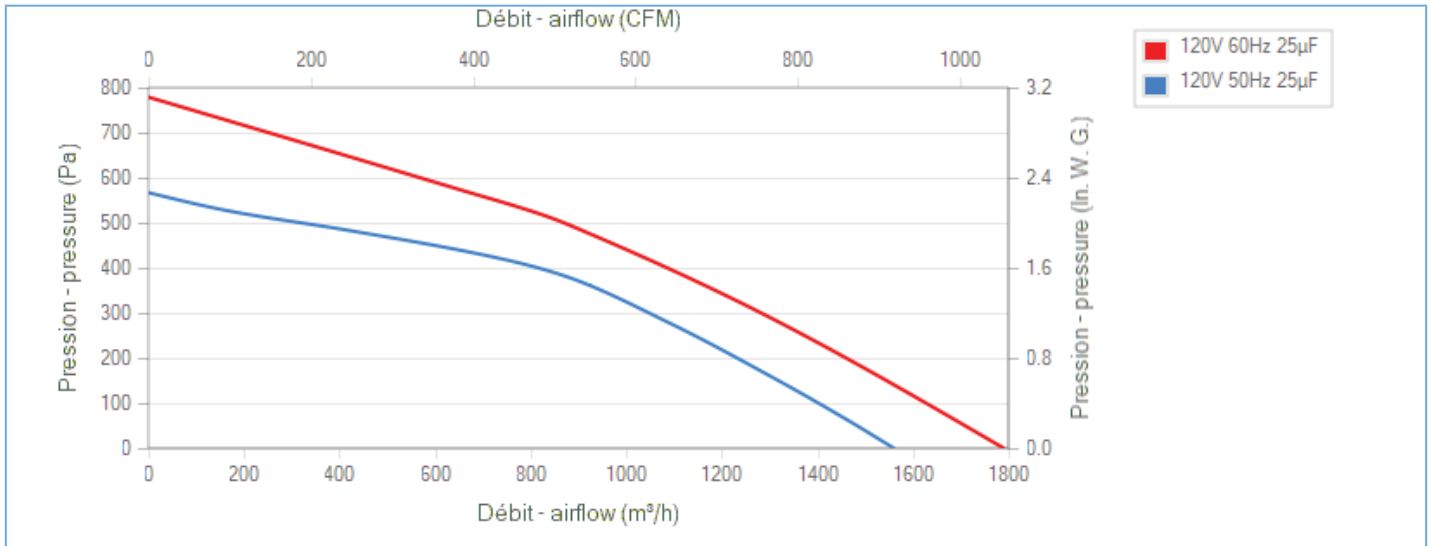
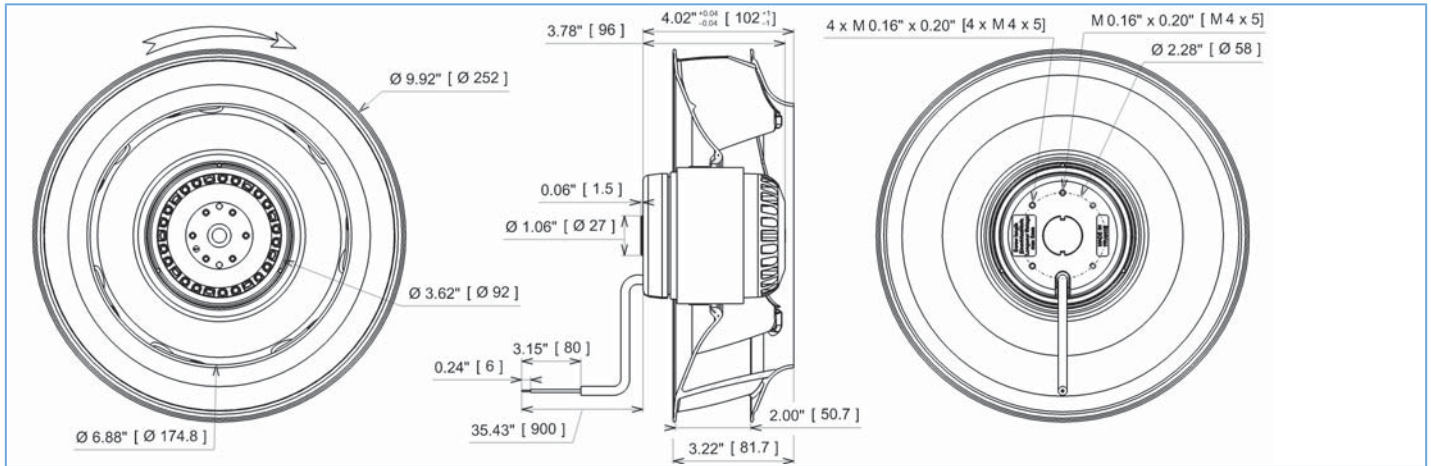
release. e - Revision 05-2018

Voltage	Frequency	Input Power	Input Current	Capacitor	Airflow	Rotation speed	Acoustic level	Direction rotation	Admissible Temperature
V	Hz	W	A	µF	m³/h	RPM	dBA	↻	Min/Max
120	50	174	1,48	25,0	1560	2745		R	-40°C / +55°C
120	60	237	2,01	25,0	1790	3145		R	-40°C / +70°C
120	50				918 CFM				-40°F / 131°F
120	60				1053 CFM				-40°F / 158°F



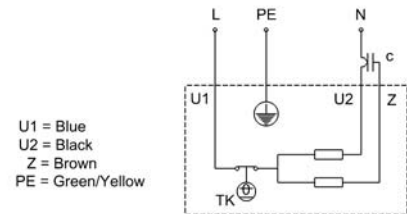
dBA : free blowing

ErP 2013 OK ErP 2015 OK



Description

- .Weight : 3,8 Kg
- .Ball bearing
- .Class F, thermally protected
- .IP44 protection depending on installation and position as per EN60034-5
- .G2.5 balancing
- .Rotor : black paint
- .PA 6/6 UL 94 V-0 plastic impeller
- .Motor - UL Recognized component



Non contractual document. All specifications are subject to change without prior notice. Picture for information only.



2RREu45 250x50R (120V) Q13-A1 p



DATA SHEET

release. e - Revision 05-2018

Data in accordance to ErP directive

Voltage	120	V
Frequency	50	Hz
Power	0,200	kW ⁽¹⁾
Airflow	871	m ³ /h ⁽¹⁾
Pressure	382	Pa ⁽¹⁾
Rotation speed	2648	RPM ⁽¹⁾

(1) at optimal efficiency point

	Actual	Request 2013	Request 2015
Overall efficiency (η)	46,2	40,2	44,2
Efficiency grade	64	58	62
Installation category	A		
Efficiency category	static		
Variable speed drive	No		
Specific ratio	1,00		

Designed for regular application according ErP directive EU 2009/125/EC

Accessories

- 19257
- 19257
- 16234
- 21360

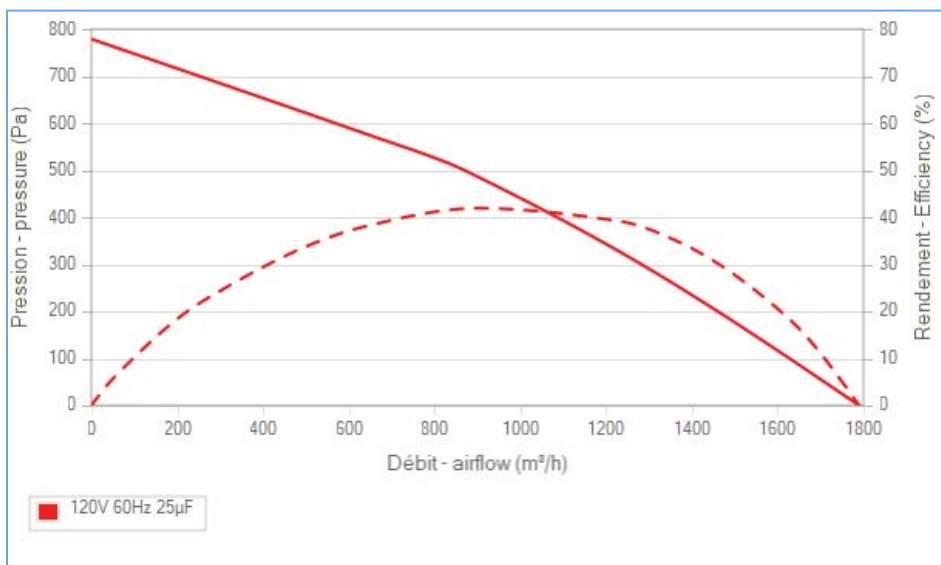
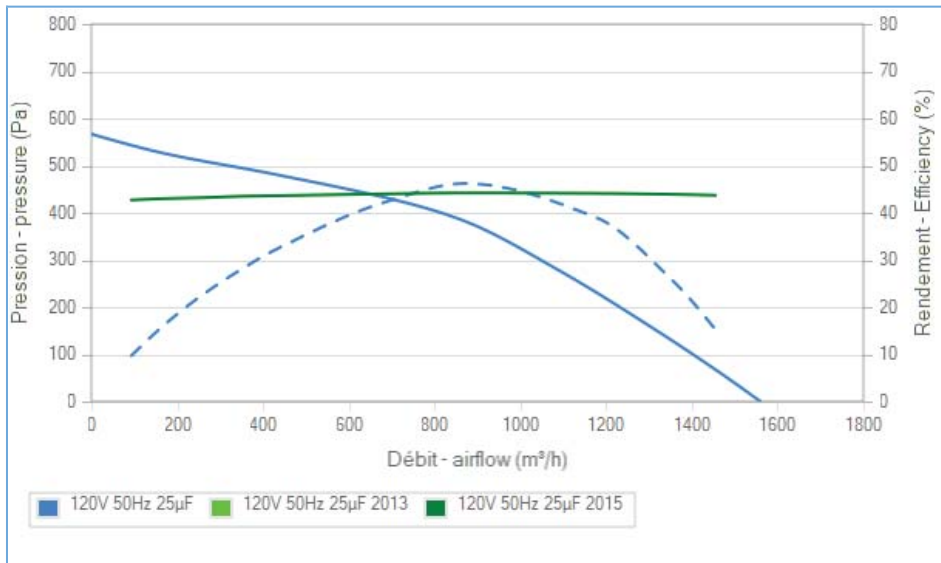
Measurement setup

- 16234

Documents

Manuel d'utilisation
www.ecofit.com/site/normes

Operating and recycling manual
www.ecofit.com/anglais/normes



Non contractual document. All specifications are subject to change without prior notice. Picture for information only.



UL2111 (XEW2,8)
 N° file E135223
 2RS945

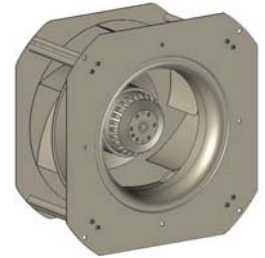


2RRMu45 250x50R (120V) S05-B0 p

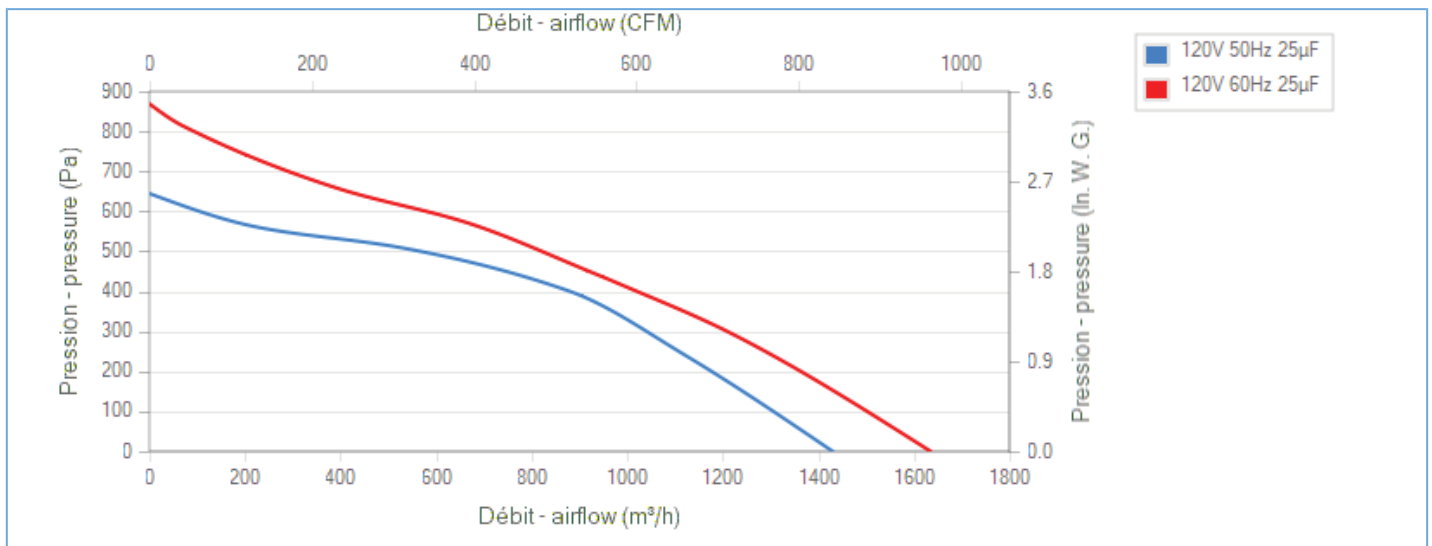
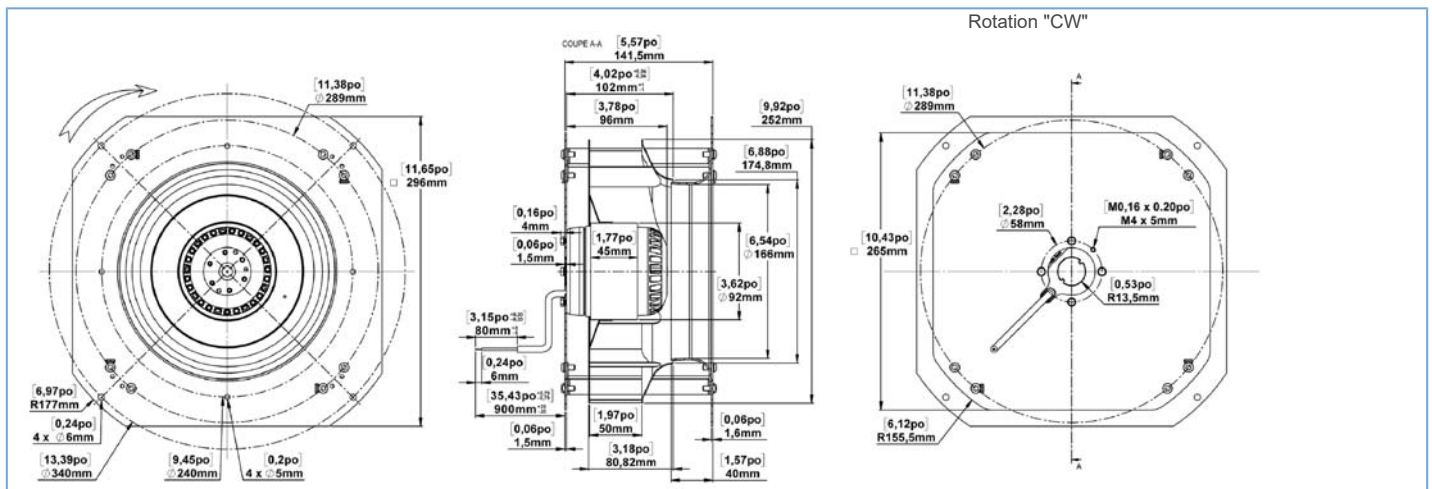
DATA SHEET

release. a - Revision 04-2018

Voltage	Frequency	Input Power	Input Current	Capacitor	Airflow	Rotation speed	Direction rotation	Admissible Temperature
V	Hz	W	A	µF	m³/h	RPM		Min/Max
120	50	167	1,4	25,0	1430	2785	R	-40°C / +70°C
120	60	238	2,05	25,0	1635	3195	R	-40°C / +70°C
120	50				841 CFM			
120	60				962 CFM			

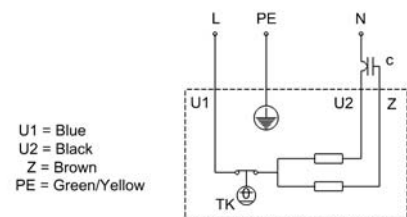


ErP 2013 OK ErP 2015 NOK



Description

- .Weight : 6,0 Kg
- .Ball bearing
- .Class F, thermally protected
- .IP44 protection depending on installation and position as per EN60034-5
- .G2.5 balancing
- .Rotor : black paint
- .Galvanized steel impeller



Non contractual document. All specifications are subject to change without prior notice. Picture for information only.



2RRMu45 250x50R (120V) S05-B0 p

DATA SHEET

release. a - Revision 04-2018

Data in accordance to ErP directive

Voltage	120	V
Frequency	50	Hz
Power	0,219	kW ⁽¹⁾
Airflow	880	m ³ /h ⁽¹⁾
Pressure	400	Pa ⁽¹⁾
Rotation speed	2640	RPM ⁽¹⁾

(1) at optimal efficiency point

Accessories

- 19257
- 19257
- 21360

Measurement setup

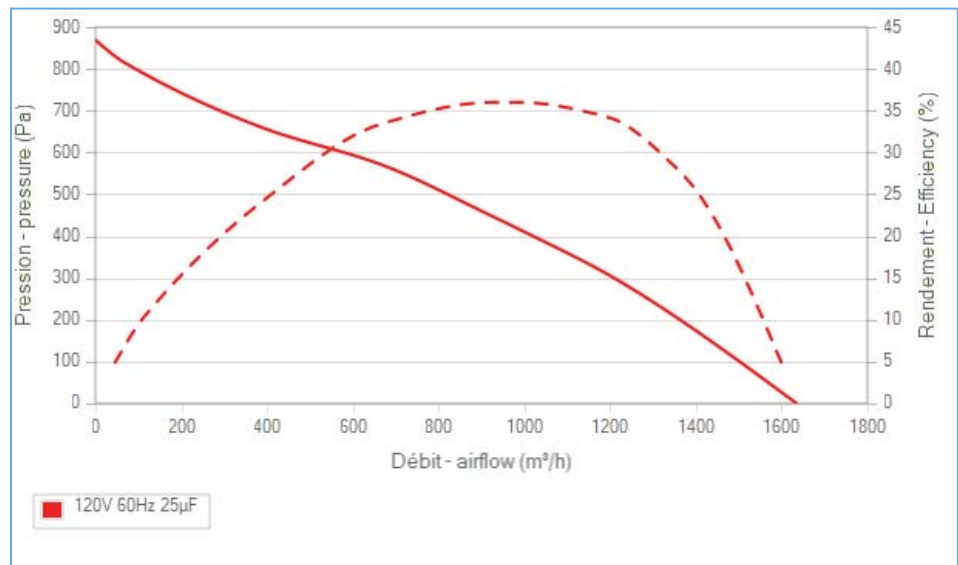
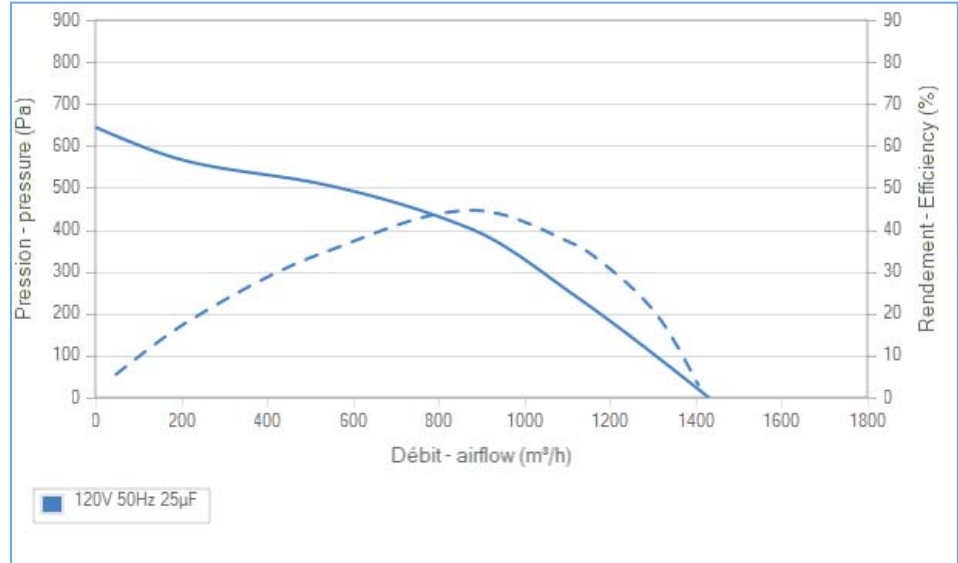
- 16234

Documents

- Manuel d'utilisation
www.ecofit.com/site/normes
- Operating and recycling manual
www.ecofit.com/anglais/normes



UL2111 (XEW2,8)
N° file E135223
2RS945



Non contractual document. All specifications are subject to change without prior notice. Picture for information only.



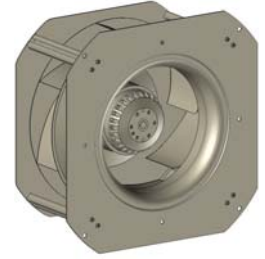
2RRMu45 250x50R (120V) S05-B2 p



DATA SHEET

release. a - Revision 04-2018

Voltage	Frequency	Input Power	Input Current	Capacitor	Airflow	Rotation speed	Acoustic level	Direction rotation	Admissible Temperature
V	Hz	W	A	μF	m³/h	RPM	dBA	↻	Min/Max
120	50	174	1,48	25,0	1560	2745		R	-40°C / +55°C
120	60	237	2,01	25,0	1790	3145		R	-40°C / +70°C
120	50				918 CFM				-40°F / 131°F
120	60				1053 CFM				-40°F / 158°F

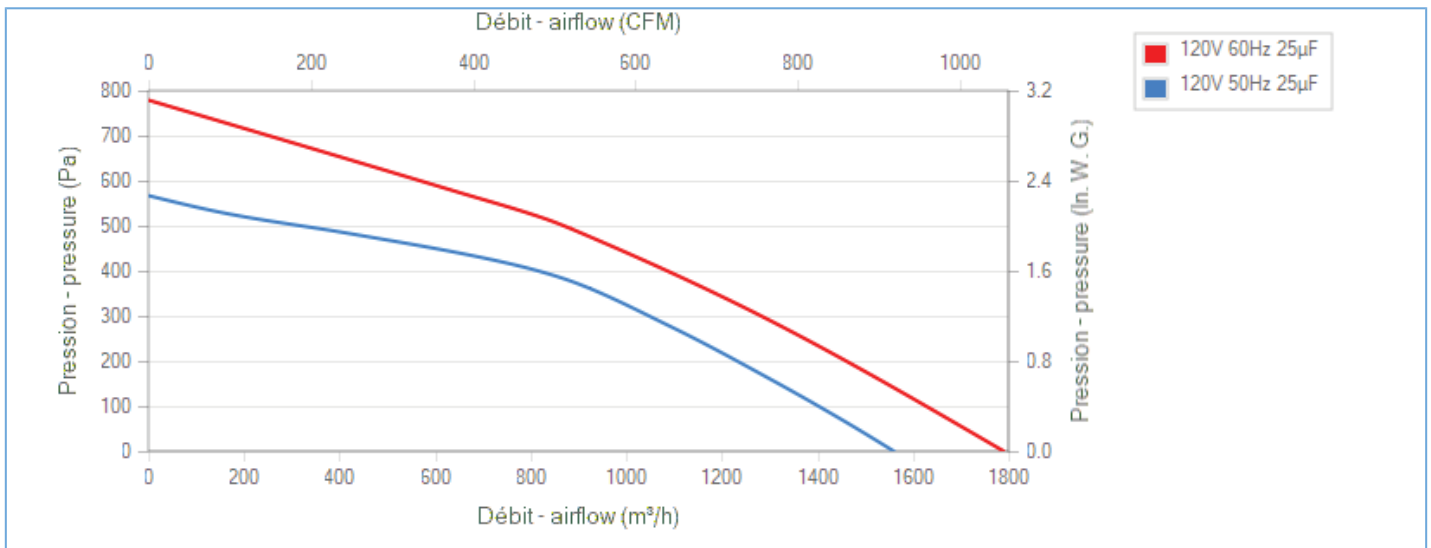
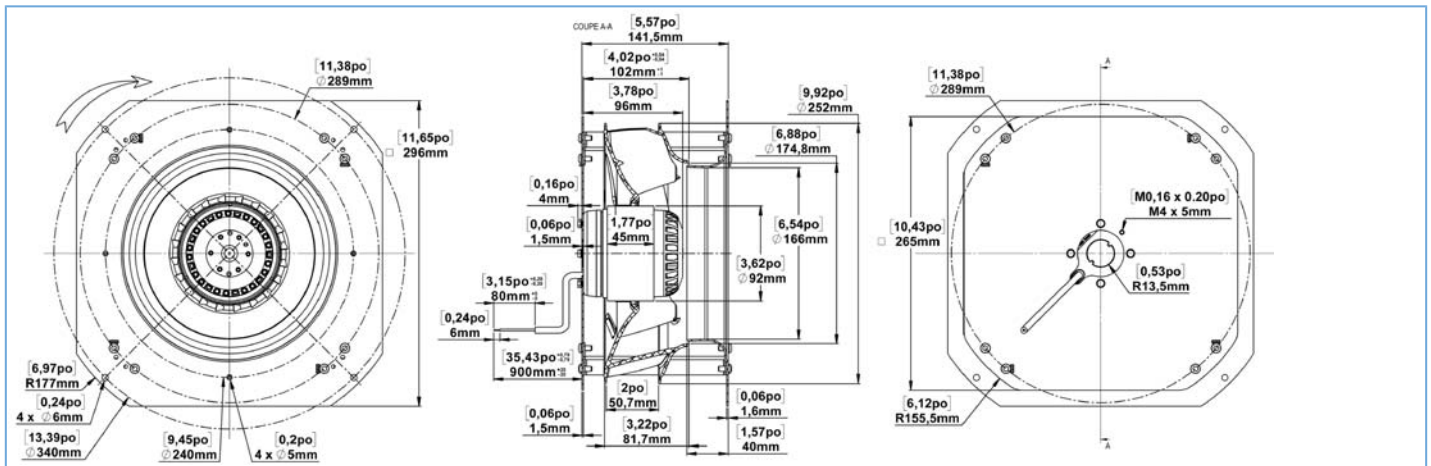


dBA : free blowing

ErP 2013

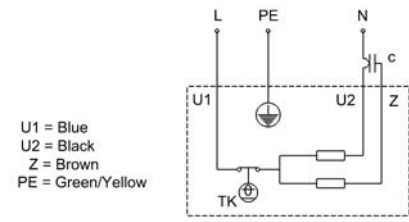


ErP 2015



Description

- .Weight : 6,0 Kg
- .Ball bearing
- .Class F, thermally protected
- .IP44 protection depending on installation and position as per EN60034-5
- .G2.5 balancing
- .Rotor : black paint
- .PA 6/6 UL 94 V-0 plastic impeller



Non contractual document. All specifications are subject to change without prior notice. Picture for information only.



2RRMu45 250x50R (120V) S05-B2 p



DATA SHEET

release. a - Revision 04-2018

Data in accordance to ErP directive

Voltage	120	V
Frequency	50	Hz
Power	0,200	kW ⁽¹⁾
Airflow	871	m ³ /h ⁽¹⁾
Pressure	382	Pa ⁽¹⁾
Rotation speed	2648	RPM ⁽¹⁾

(1) at optimal efficiency point

	Actual	Request 2013	Request 2015
Overall efficiency (η)	46,2	40,2	44,2
Efficiency grade	64	58	62
Installation category	A		
Efficiency category	static		
Variable speed drive	No		
Specific ratio	1,00		

Designed for regular application according ErP directive EU 2009/125/EC

Accessories

19257

19257

21360

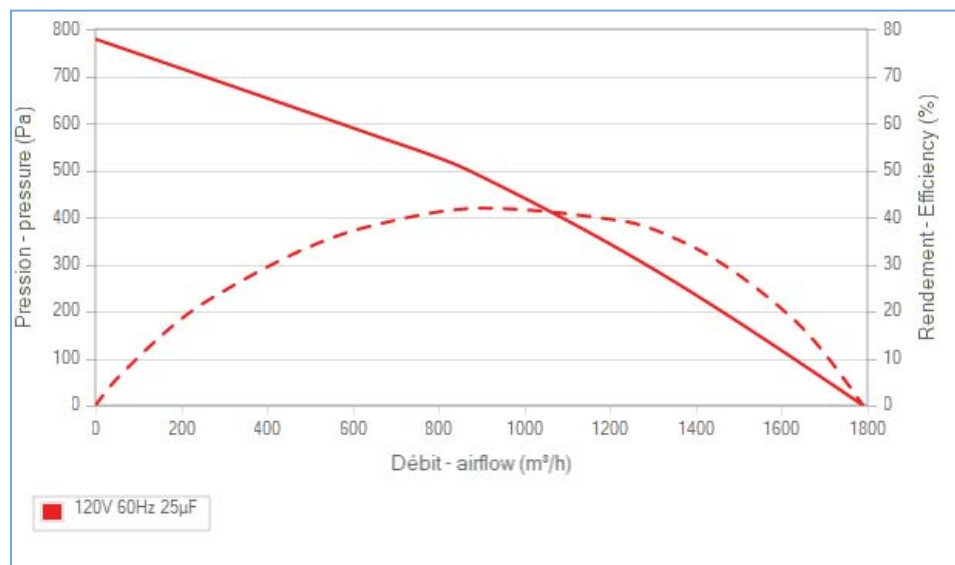
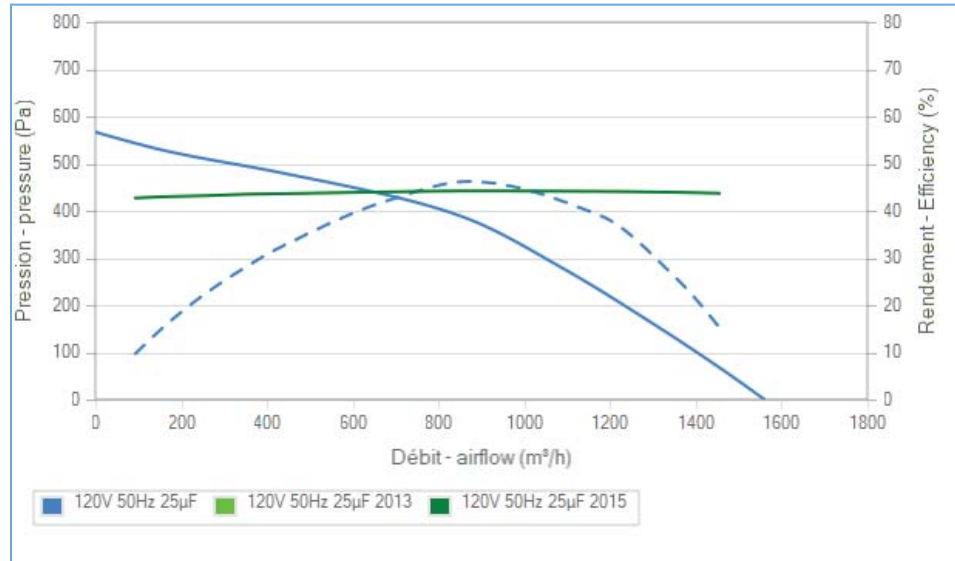
Measurement setup

16234

Documents

Manuel d'utilisation
www.ecofit.com/site/normes

Operating and recycling manual
www.ecofit.com/anglais/normes



Non contractual document. All specifications are subject to change without prior notice. Picture for information only.



UL2111 (XEWR2,8)
 N° file E135223
 2RS945



2RRMu45 250x50R

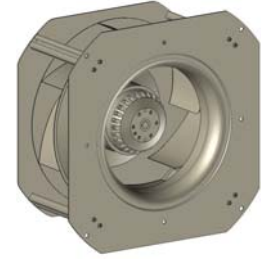
S05-B3 p



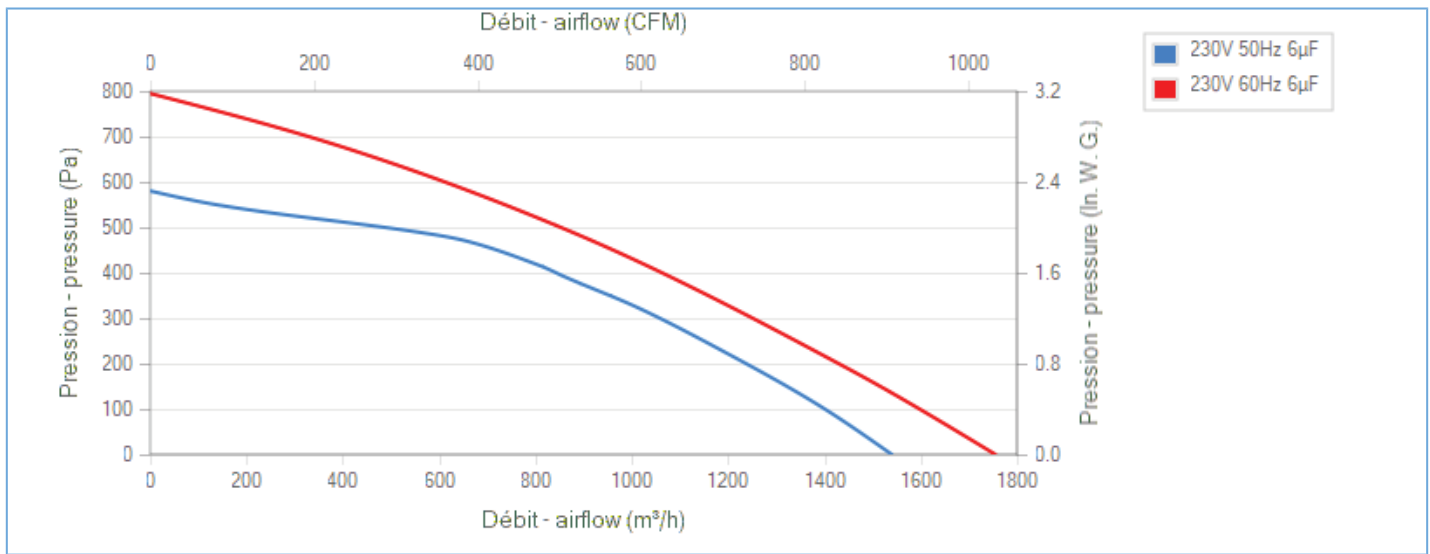
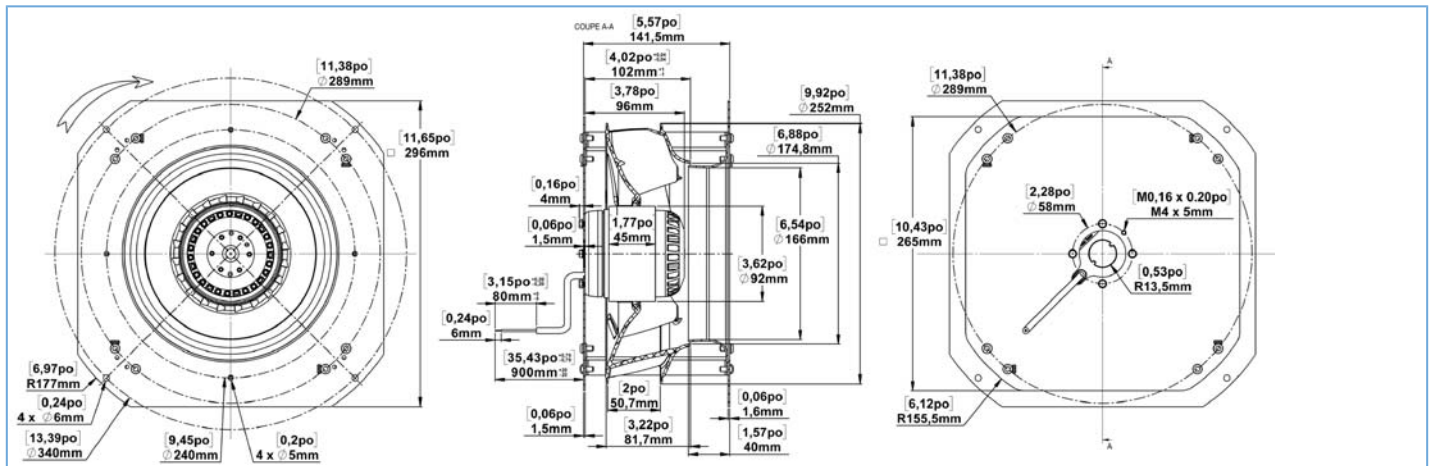
DATA SHEET

release. a - Revision 04-2018

Voltage	Frequency	Input Power	Input Current	Capacitor	Airflow	Rotation speed	Direction rotation	Admissible Temperature
V	Hz	W	A	µF	m³/h	RPM	↻	Min/Max
230	50	160	0,7	6,0	1520	2765	R	-40°C / +70°C
230	60	236	1,05	6,0	1755	3140	R	-40°C / +70°C
230	50				894 CFM			
230	60				1033 CFM			



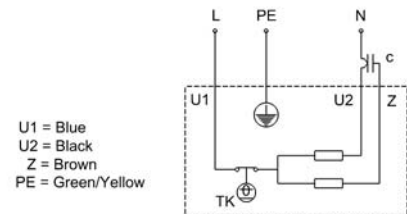
ErP 2013 OK ErP 2015 OK



Non contractual document. All specifications are subject to change without prior notice. Picture for information only.

Description

- .Weight : 6,0 Kg
- .Ball bearing
- .Class F, thermally protected
- .IP44 protection depending on installation and position as per EN60034-5
- .G2.5 balancing
- .Rotor : black paint
- .PP UL 94 V-0 plastic impeller





2RRMu45 250x50R

S05-B3 p



DATA SHEET

release. a - Revision 04-2018

Data in accordance to ErP directive

Voltage	230	V
Frequency	50	Hz
Power	0,199	kW ⁽¹⁾
Airflow	854	m ³ /h ⁽¹⁾
Pressure	394	Pa ⁽¹⁾
Rotation speed	2665	RPM ⁽¹⁾

(1) at optimal efficiency point

	Actual	Request 2013	Request 2015
Overall efficiency (η)	47,1	40,1	44,1
Efficiency grade	65	58	62
Installation category	A		
Efficiency category	static		
Variable speed drive	No		
Specific ratio	1,00		

Designed for regular application according ErP directive EU 2009/125/EC

Accessories

19221

19221

21360

Measurement setup

16234

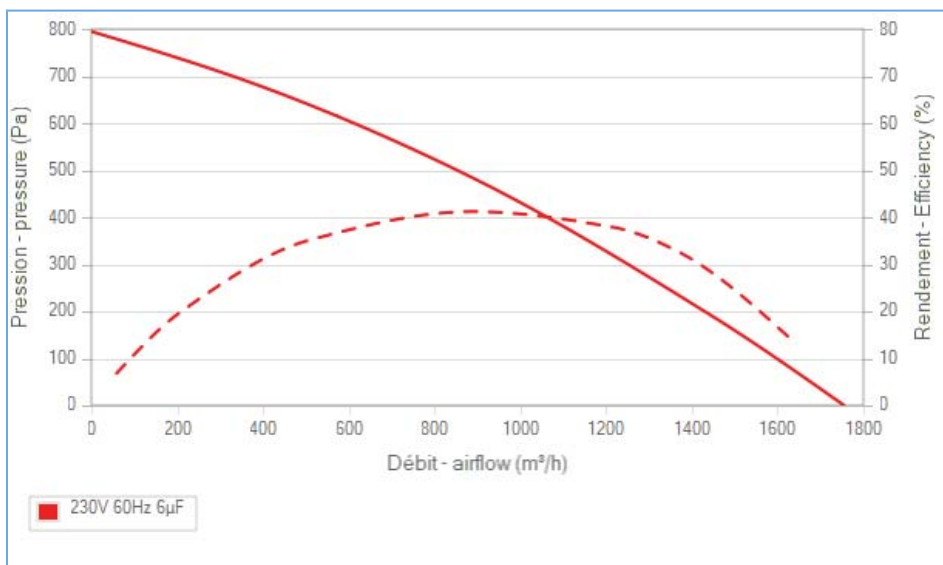
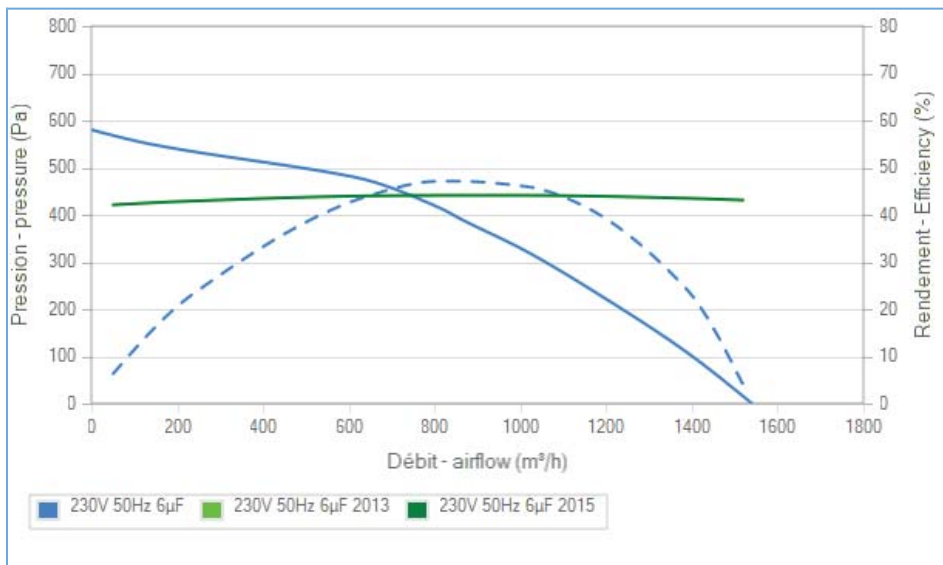
Documents

Manuel d'utilisation

www.ecofit.com/site/normes

Operating and recycling manual

www.ecofit.com/anglais/normes



Non contractual document. All specifications are subject to change without prior notice. Picture for information only.



UL2111 (XEWR2,8)
N° file E135223
2RS945



2RREu45 280x40R

J47-A4 p

DATA SHEET

release. c - Revision 01-2018

Voltage	Frequency	Input Power	Input Current	Capacitor	Airflow	Rotation speed	Acoustic level	Direction rotation	Admissible Temperature
V	Hz	W	A	µF	m³/h	RPM	dBA	↻	Min/Max
230	50	216	0,98	8,0	1740	2735	74	R	-40°C / +60°C
230	60	284	1,26	6,0	1830	2920	77	R	-40°C / +60°C
230	50				1024 CFM				-40°F / 140°F
230	60				1077 CFM				-40°F / 140°F



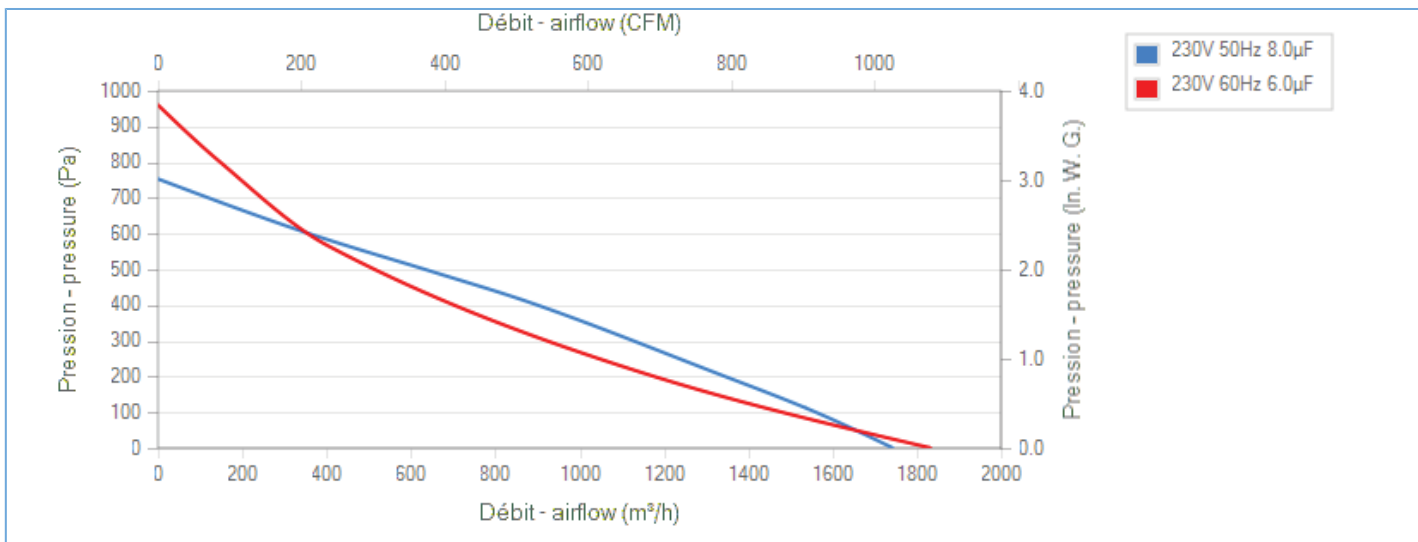
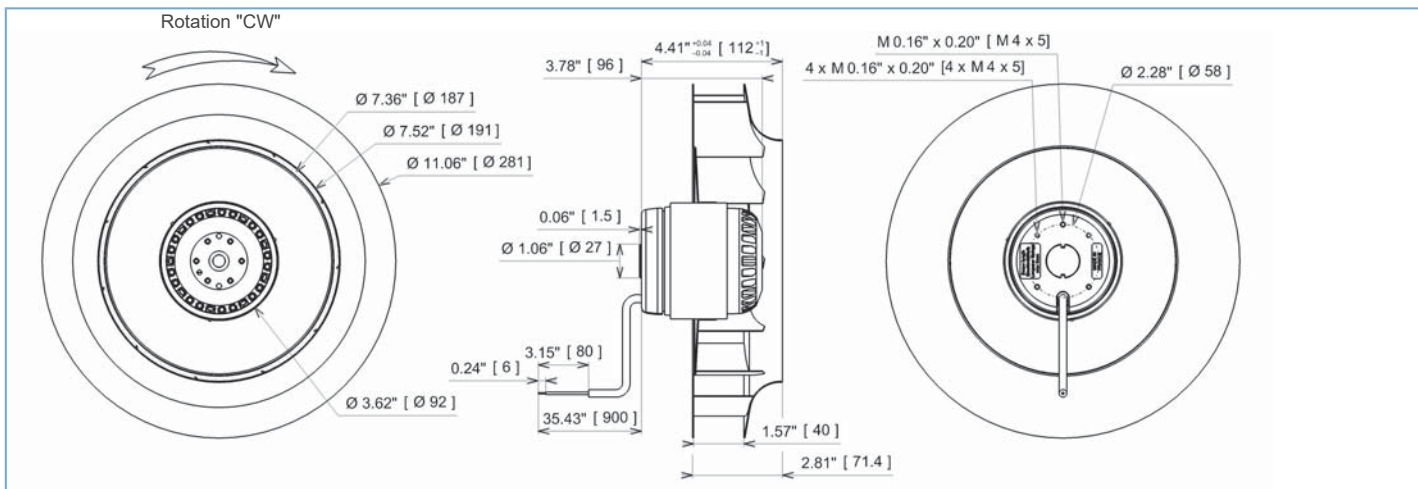
dBA : free blowing

ErP 2013

NOK

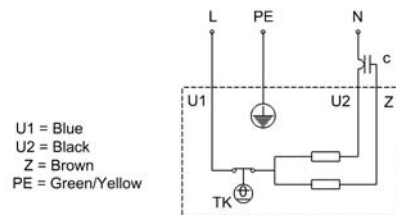
ErP 2015

NOK



Description

- .Weight : 3,6 Kg
- .Ball bearing
- .Class F, thermally protected
- .IP44 protection depending on installation and position as per EN60034-5
- .G2.5 balancing
- .Rotor : black paint
- .Galvanized steel impeller
- .Motor - UL Recognized component



Non contractual document. All specifications are subject to change without prior notice. Picture for information only.



2RREu45 280x40R

J47-A4 p

DATA SHEET

release. c - Revision 01-2018

Data in accordance to ErP directive

Voltage	230	V
Frequency	50	Hz
Power	0,300	kW ⁽¹⁾
Airflow	878	m ³ /h ⁽¹⁾
Pressure	409	Pa ⁽¹⁾
Rotation speed	2473	RPM ⁽¹⁾

(1) at optimal efficiency point

For service use only in Europe according ErP directive EU 2009/125/EC

Accessories

- 19222
- 19221
- 16168

Measurement setup

16168 OUIE Di182 De320mm H12 GALVA

Documents

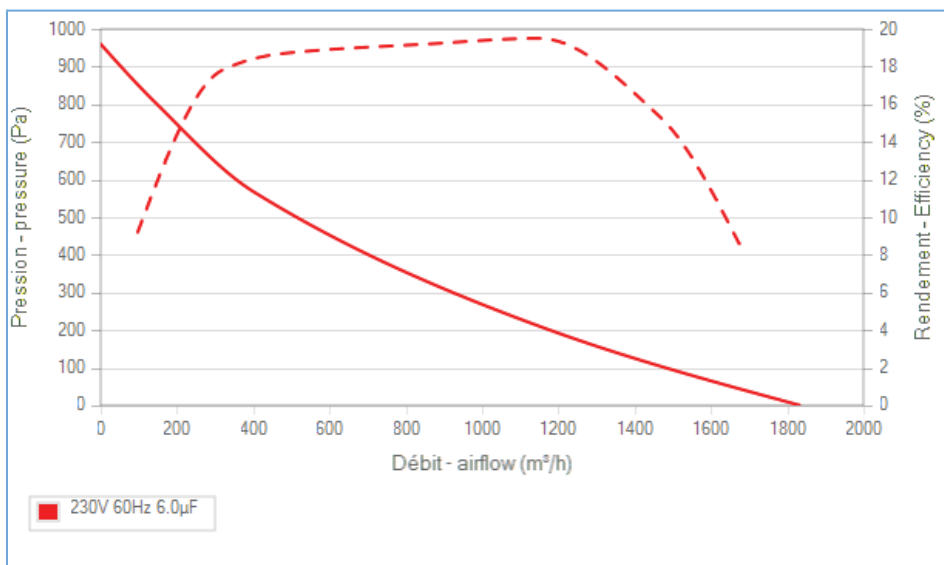
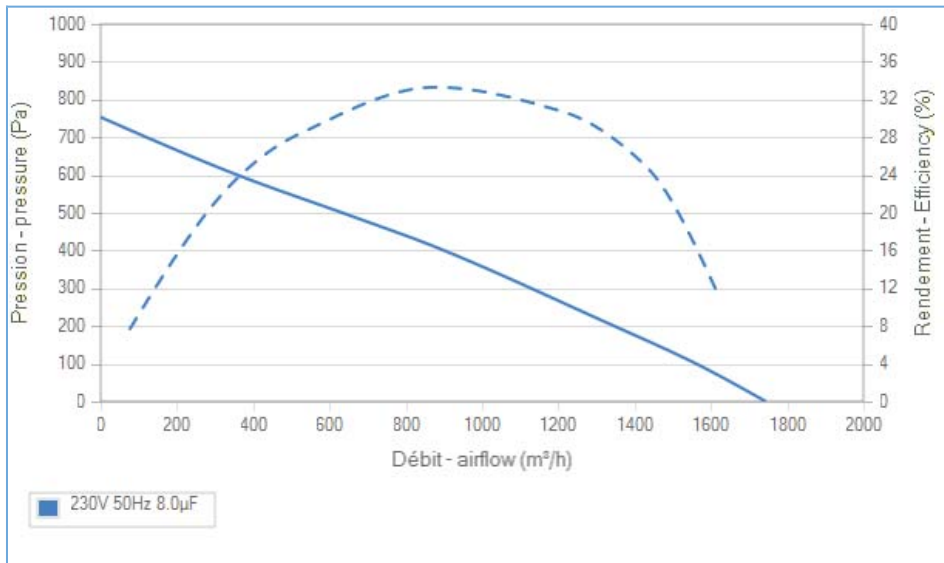
- Manuel d'utilisation
www.ecofit.com/site/normes
- Operating and recycling manual
www.ecofit.com/anglais/normes



UL2111 (XEW2,8)
N° file E135223
2RS945



A041865
2RS945CN



Non contractual document. All specifications are subject to change without prior notice. Picture for information only.