



4RREu15 192x40R (115V) C10-A7 p



DATA SHEET

Replace B11-A6 p

release. c - Revision 07-2016

Voltage	Frequency	Input Power	Input Current	Capacitor	Airflow	Rotation speed	Acoustic level	Direction rotation	Admissible Temperature
V	Hz	W	A	μF	m ³ /h	RPM	dBA	↻	Min/Max
115	50	24	0,21	5,0	300	1370	50	R	-40°C / +70°C
115	60	27	0,24	5,0	360	1620	52	R	-40°C / +70°C
115	50				176 CFM				-40°F / 158°F
115	60				211 CFM				-40°F / 158°F



dBa : free blowing

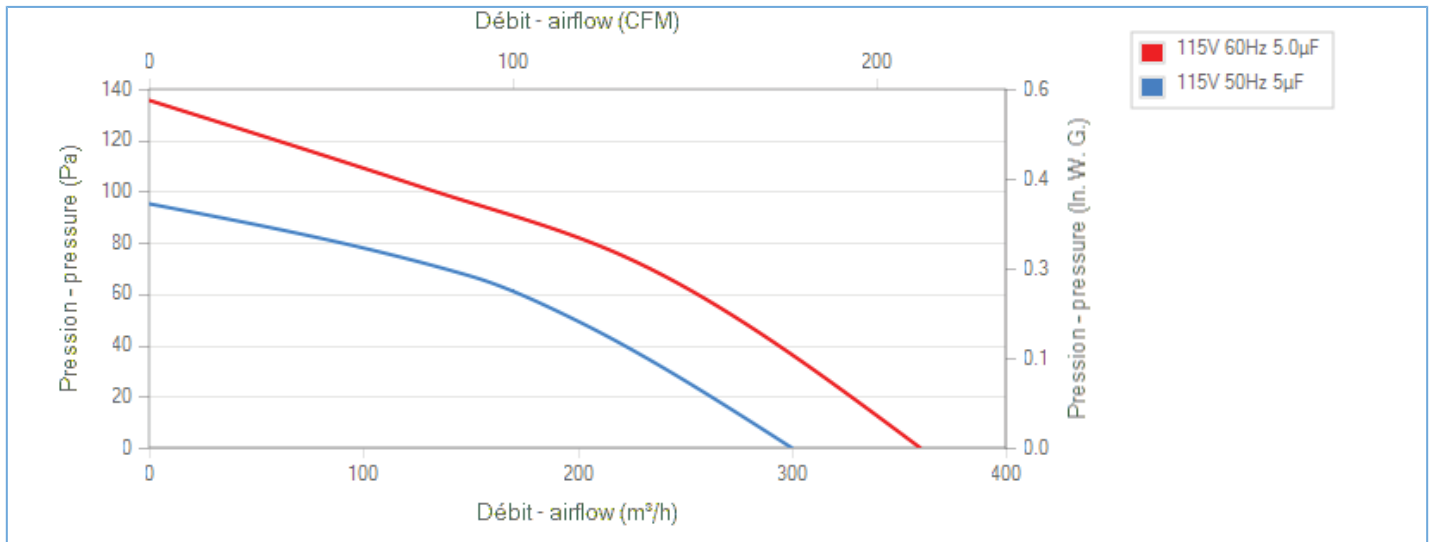
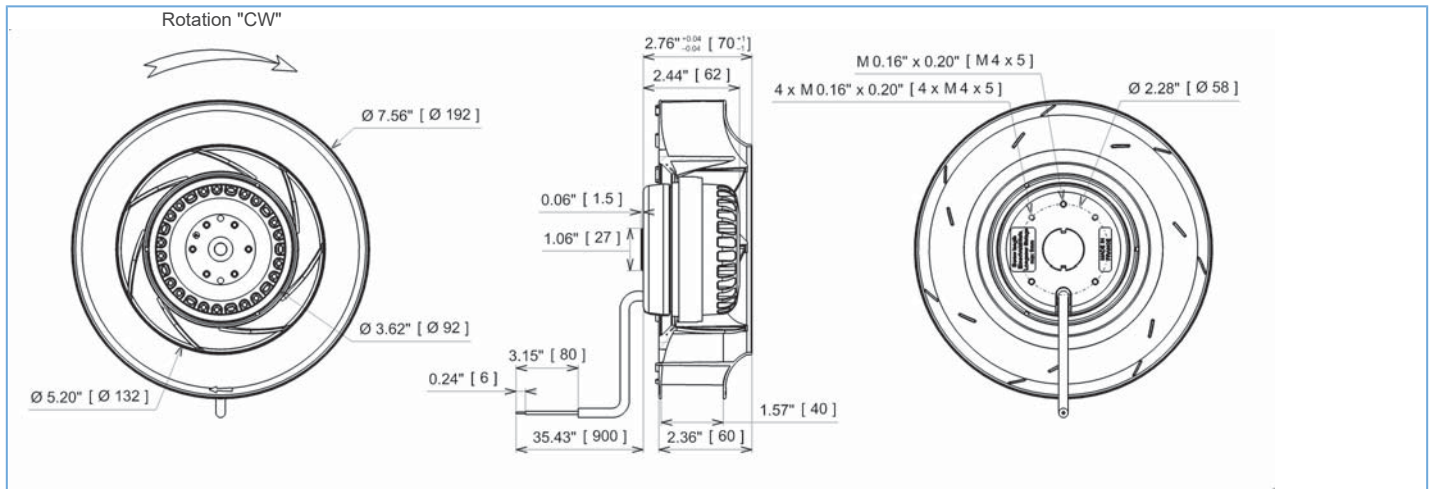
NA : not applicable

ErP 2013

NA

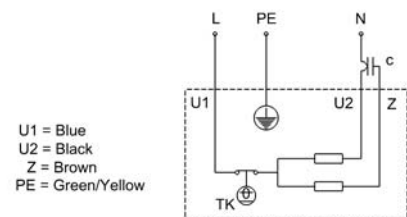
ErP 2015

NA



Description

- .Weight : 1,3 Kg
- .Ball bearing
- .Class F, thermally protected
- .IP44 protection depending on installation and position as per EN60034-5
- .G2.5 balancing
- .Rotor : black paint
- .PP UL 94 V-0 plastic impeller
- .Motor - UL Recognized component



Non contractual document. All specifications are subject to change without prior notice. Picture for information only.



4RREu15 192x40R (115V)

C10-A7 p



DATA SHEET

Replace B11-A6 p

release. c - Revision 07-2016

Data in accordance to ErP directive

Voltage	115	V
Frequency	50	Hz
Power	0,024	kW ⁽¹⁾
Airflow	150	m ³ /h ⁽¹⁾
Pressure	67	Pa ⁽¹⁾
Rotation speed	1354	RPM ⁽¹⁾

(1) at optimal efficiency point

ErP directive (EU 2009/125/EC) not applicable :
Power at optimum energy efficiency point

Accessories

- 19216
- 19216
- 21181
- 16043

Measurement setup

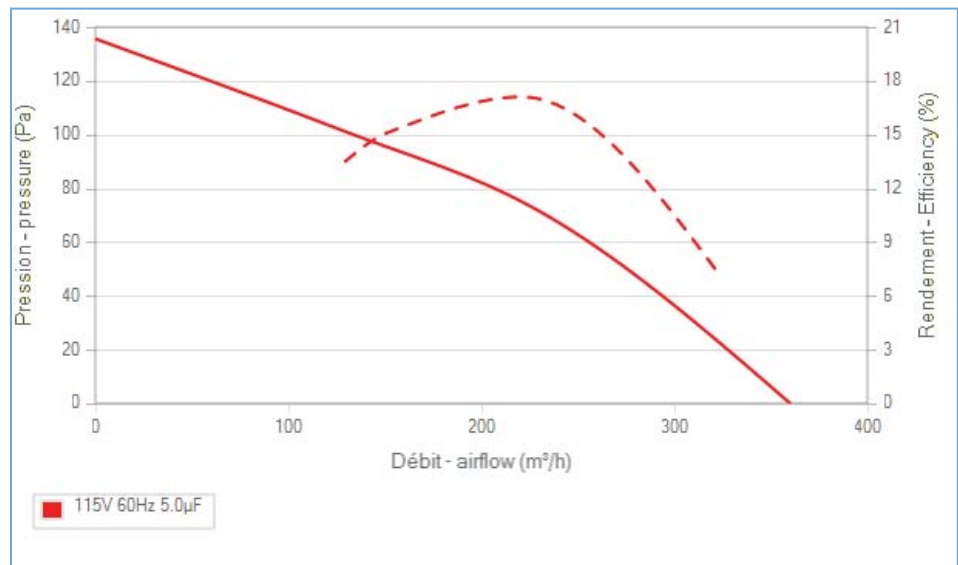
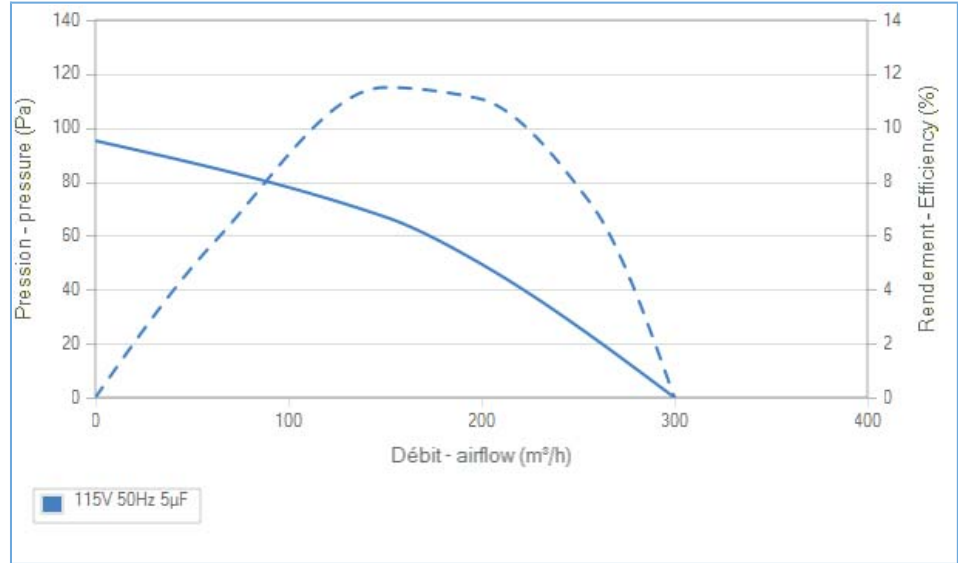
16043 OUIE OG 128 GALVA

Documents

- Manuel d'utilisation
www.ecofit.com/site/normes
- Operating and recycling manual
www.ecofit.com/anglais/normes



UL2111 (XEWR2,8)
N° file E135223
4RS915



Non contractual document. All specifications are subject to change without prior notice. Picture for information only.



4RREu15 192x40R

X39-04 p



DATA SHEET

release. f - Revision 04-2017

Voltage	Frequency	Input Power	Input Current	Capacitor	Airflow	Rotation speed	Acoustic level	Direction rotation	Admissible Temperature
V	Hz	W	A	µF	m³/h	RPM	dBA	↻	Min/Max
230	50	33	0,15	1,5	305	1390	54	R	-40°C / +70°C
230	60	32	0,14	1,5	368	1655	55	R	-40°C / +70°C
230	50				179 CFM				-40°F / 158°F
230	60				216 CFM				-40°F / 158°F



dBa : free blowing

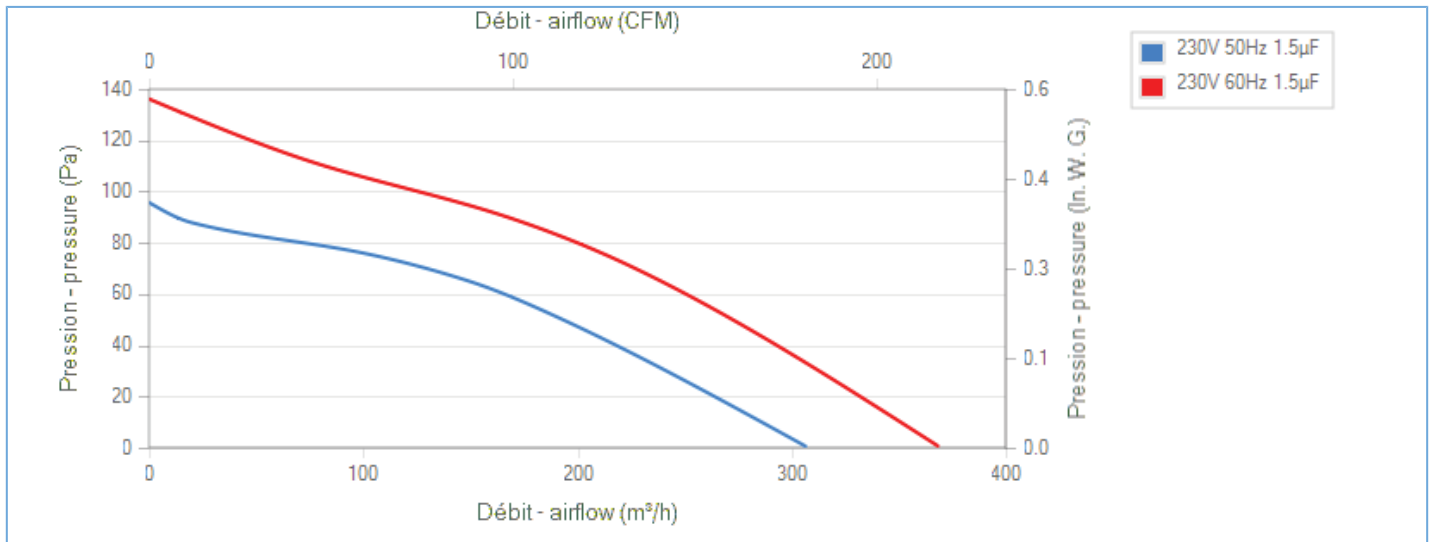
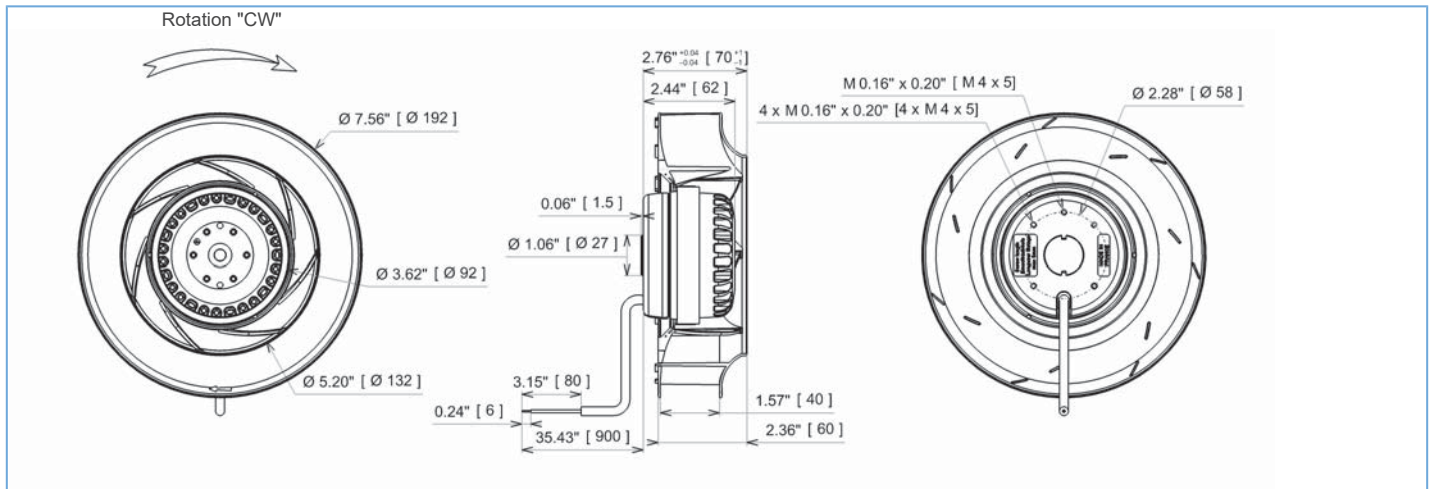
NA : not applicable

ErP 2013

NA

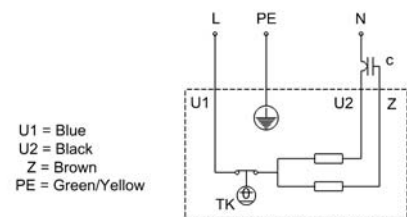
ErP 2015

NA



Description

- .Weight : 1,3 Kg
- .Ball bearing
- .Class F, thermally protected
- .IP44 protection depending on installation and position as per EN60034-5
- .G2.5 balancing
- .Rotor : black paint
- .PP UL 94 V-0 plastic impeller
- .Motor - UL Recognized component



Non contractual document. All specifications are subject to change without prior notice. Picture for information only.



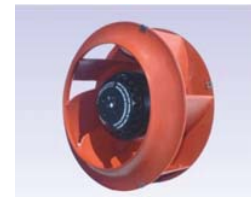
4RREu25 225x63R (115V) B11-A7 p



DATA SHEET

release. c - Revision 07-2016

Voltage	Frequency	Input Power	Input Current	Capacitor	Airflow	Rotation speed	Acoustic level	Direction rotation	Admissible Temperature
V	Hz	W	A	µF	m³/h	RPM	dBA	↻	Min/Max
115	50	58	0,7	5,0	740	1385	55	R	-40°C / +50°C
115	60	56	0,51	5,0	865	1630	58	R	-40°C / +70°C
115	50				435 CFM				-40°F / 122°F
115	60				509 CFM				-40°F / 158°F



dBA : free blowing

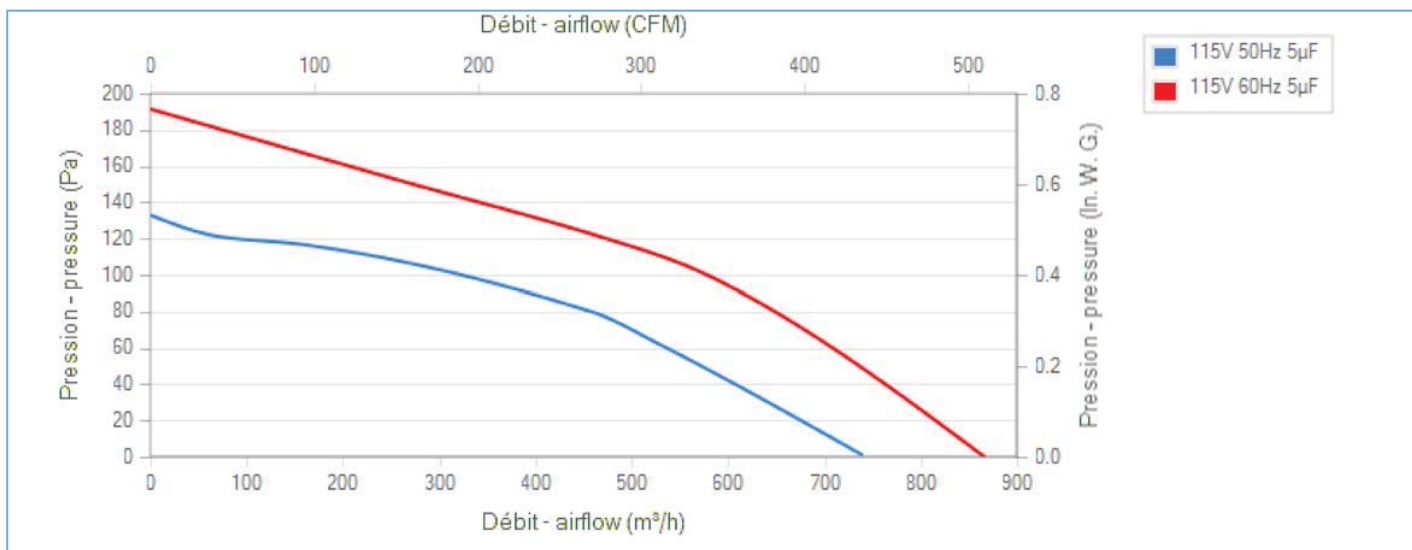
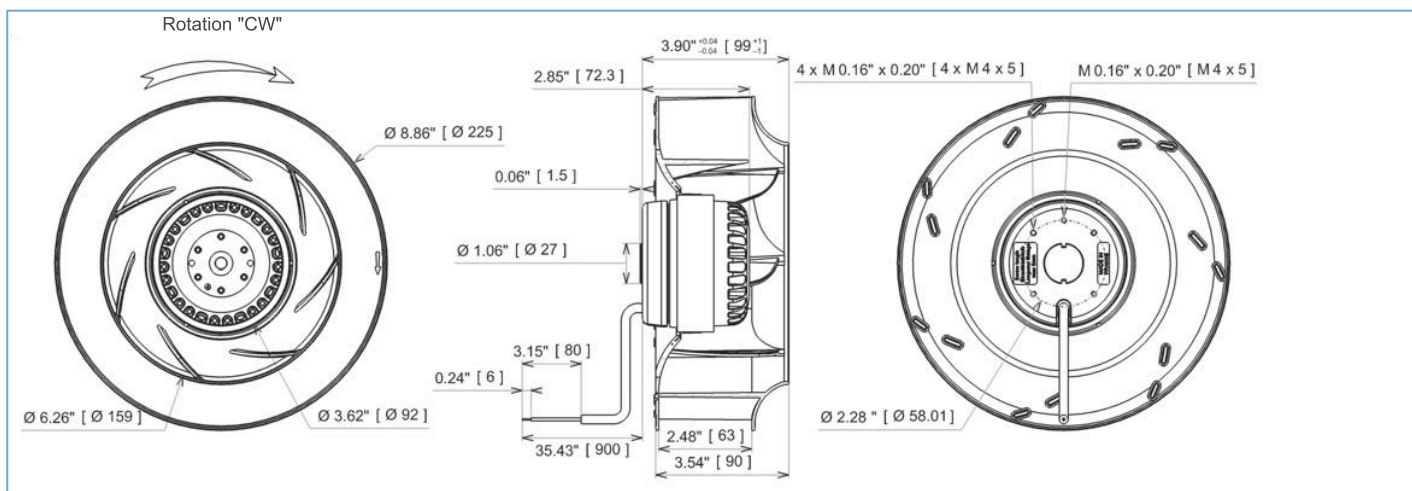
NA : not applicable

ErP 2013

NA

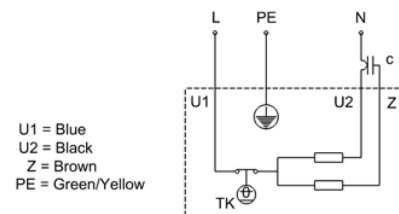
ErP 2015

NA



Description

- .Weight : 2,0 Kg
- .Ball bearing
- .Class F, thermally protected
- .IP44 protection depending on installation and position as per EN60034-5
- .G2.5 balancing
- .Rotor : black paint
- .PA 6/6 UL 94 V-0 plastic impeller
- .Motor - UL Recognized component



Non contractual document. All specifications are subject to change without prior notice. Picture for information only.



4RREu25 225x63R (115V) B11-A7 p



DATA SHEET

release. c - Revision 07-2016

Data in accordance to ErP directive

Voltage	115	V
Frequency	50	Hz
Power	0,062	kW ⁽¹⁾
Airflow	458	m ³ /h ⁽¹⁾
Pressure	80	Pa ⁽¹⁾
Rotation speed	1357	RPM ⁽¹⁾

(1) at optimal efficiency point

ErP directive (EU 2009/125/EC) not applicable :
Power at optimum energy efficiency point

Accessories

- 19216
- 19216

Measurement setup

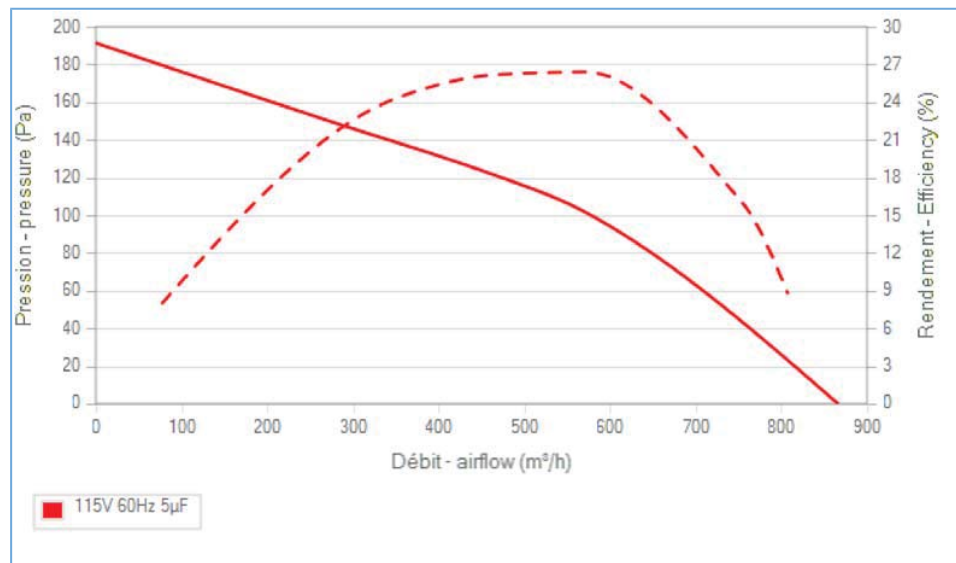
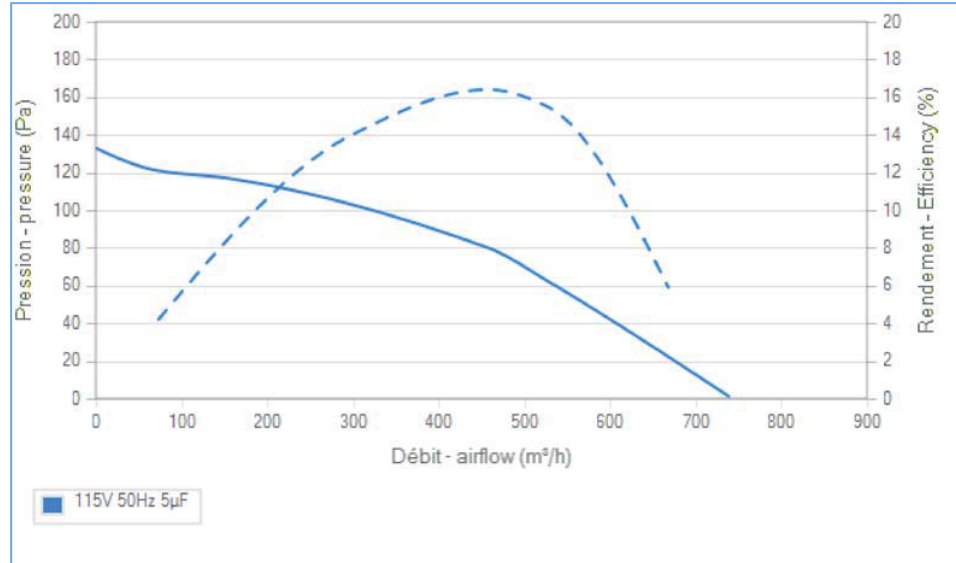
O_Sp155

Documents

- Manuel d'utilisation
www.ecofit.com/site/normes
- Operating and recycling manual
www.ecofit.com/anglais/normes



UL2111 (XEW2,8)
N° file E135223
4RS925



Non contractual document. All specifications are subject to change without prior notice. Picture for information only.



4RREu25 225x63R

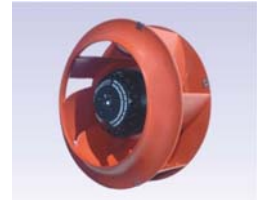
C25-A2 p



DATA SHEET

release. c - Revision 06-2016

Voltage	Frequency	Input Power	Input Current	Capacitor	Airflow	Rotation speed	Acoustic level	Direction rotation	Admissible Temperature
V	Hz	W	A	μF	m³/h	RPM	dBA		Min/Max
230	50	52	0,27	1,5	755	1385	53	R	-40°C / +70°C
230	60	55	0,24	1,5	880	1625	56	R	-40°C / +70°C
230	50				444 CFM				-40°F / 158°F
230	60				517 CFM				-40°F / 158°F



dBa : free blowing

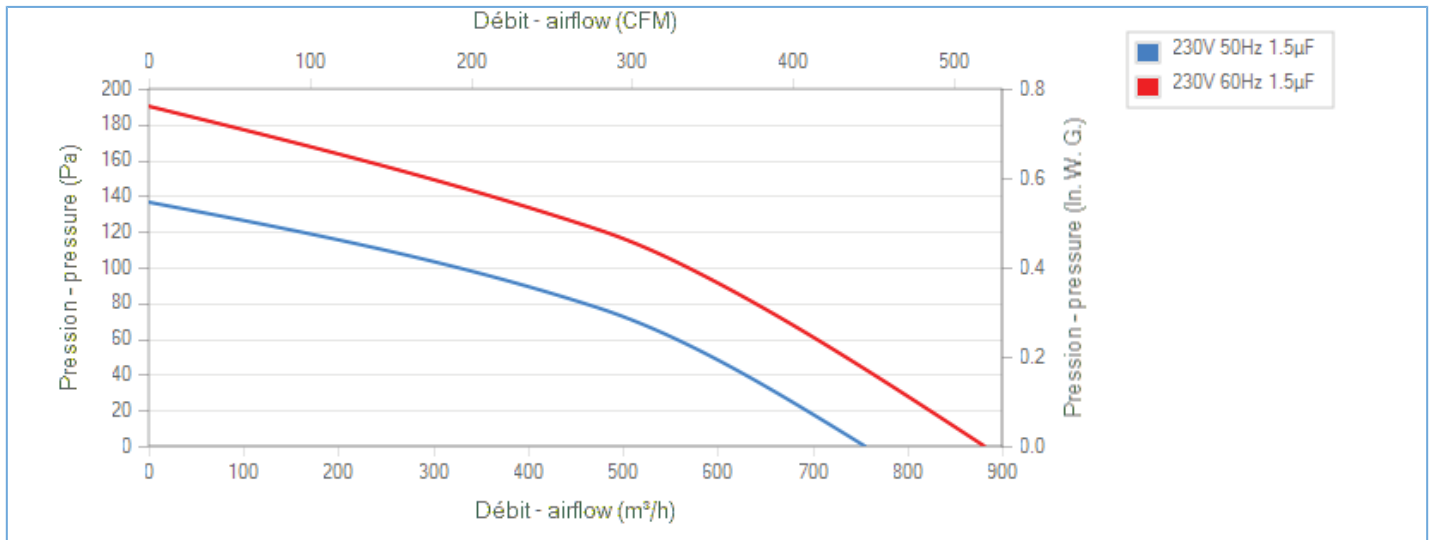
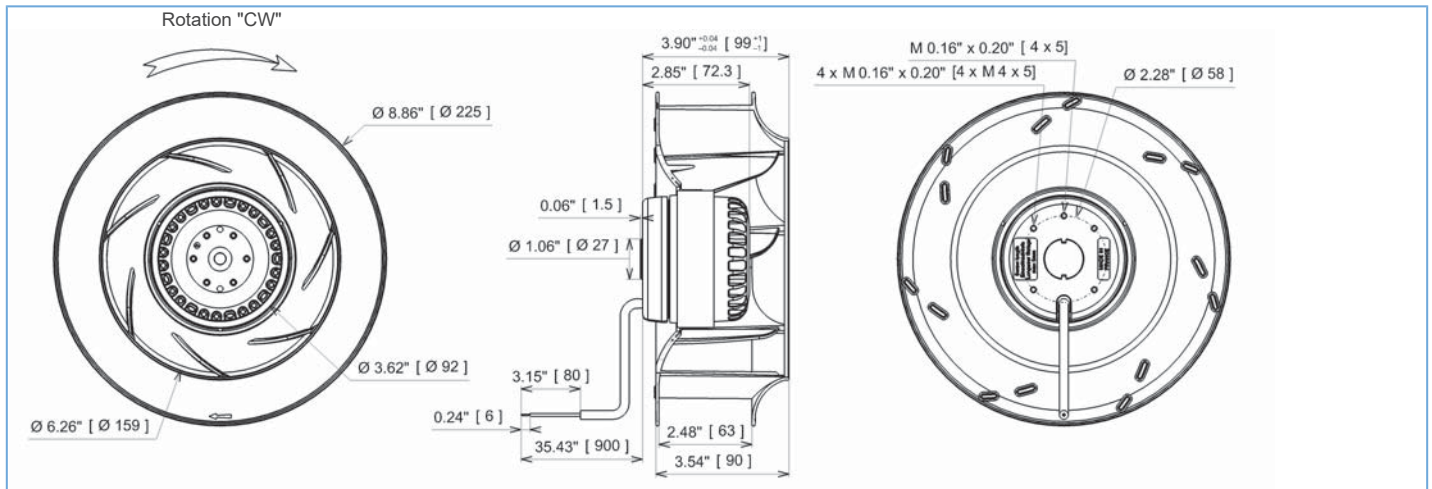
NA : not applicable

ErP 2013

NA

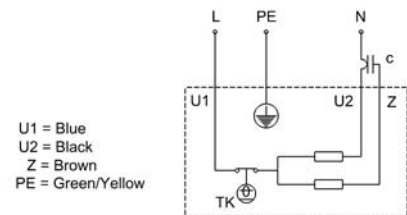
ErP 2015

NA



Description

- .Weight : 2,0 Kg
- .Ball bearing
- .Class F, thermally protected
- .IP44 protection depending on installation and position as per EN60034-5
- .G2.5 balancing
- .Rotor : black paint
- .PA 6/6 UL 94 V-0 plastic impeller
- .Motor - UL Recognized component



Non contractual document. All specifications are subject to change without prior notice. Picture for information only.



4RREu25 225x63R

C25-A2 p



DATA SHEET

release. c - Revision 06-2016

Data in accordance to ErP directive

Voltage	230	V
Frequency	50	Hz
Power	0,053	kW ⁽¹⁾
Airflow	473	m ³ /h ⁽¹⁾
Pressure	78	Pa ⁽¹⁾
Rotation speed	1368	RPM ⁽¹⁾

(1) at optimal efficiency point

ErP directive (EU 2009/125/EC) not applicable :
Power at optimum energy efficiency point

Accessories

- 19208
- 19208
- 16214

Measurement setup

O_Sp155

Documents

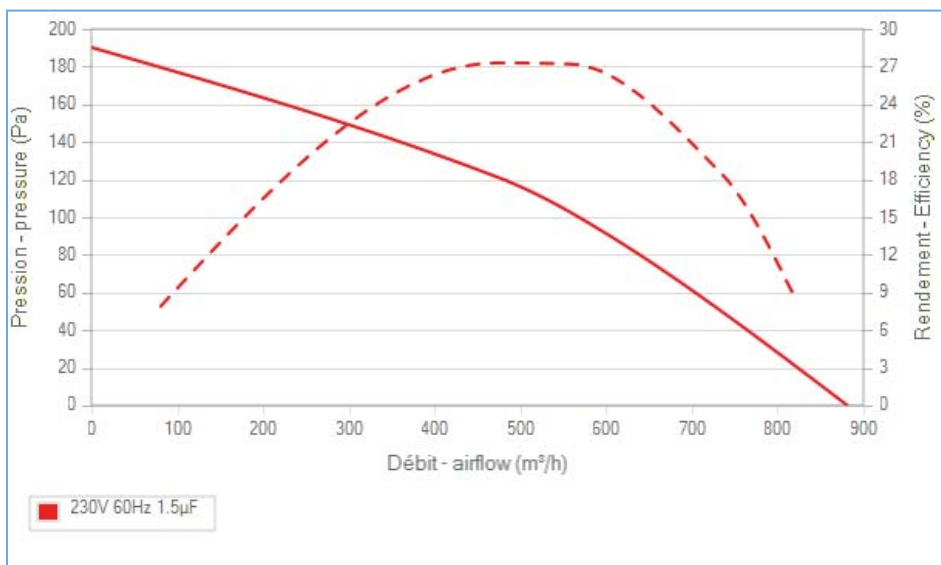
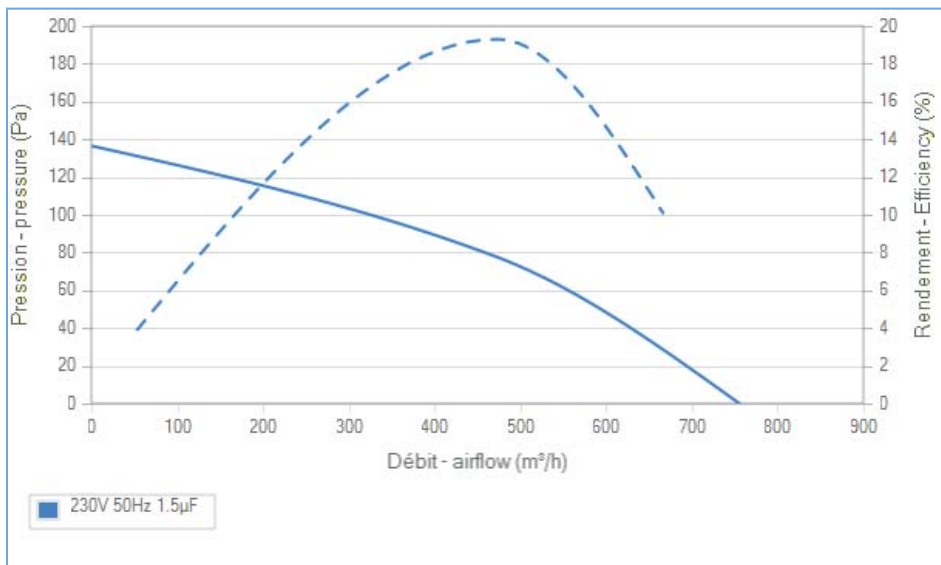
- Manuel d'utilisation
www.ecofit.com/site/normes
- Operating and recycling manual
www.ecofit.com/anglais/normes



UL2111 (XEW2,8)
N° file E135223
4RS925



A041865
4RS925CN



Non contractual document. All specifications are subject to change without prior notice. Picture for information only.



4RREu25 250x56R

D21-A0 p



DATA SHEET

release. f - Revision 09-2017

Voltage	Frequency	Input Power	Input Current	Capacitor	Airflow	Rotation speed	Acoustic level	Direction rotation	Admissible Temperature
V	Hz	W	A	μF	m ³ /h	RPM	dBA		Min/Max
230	50	47	0,22	1,5	865	1415	56	R	-40°C / +70°C
230	60	55	0,24	1,5	1010	1665	61	R	-40°C / +70°C
230	50				509 CFM				-40°F / 158°F
230	60				594 CFM				-40°F / 158°F



dBA : free blowing

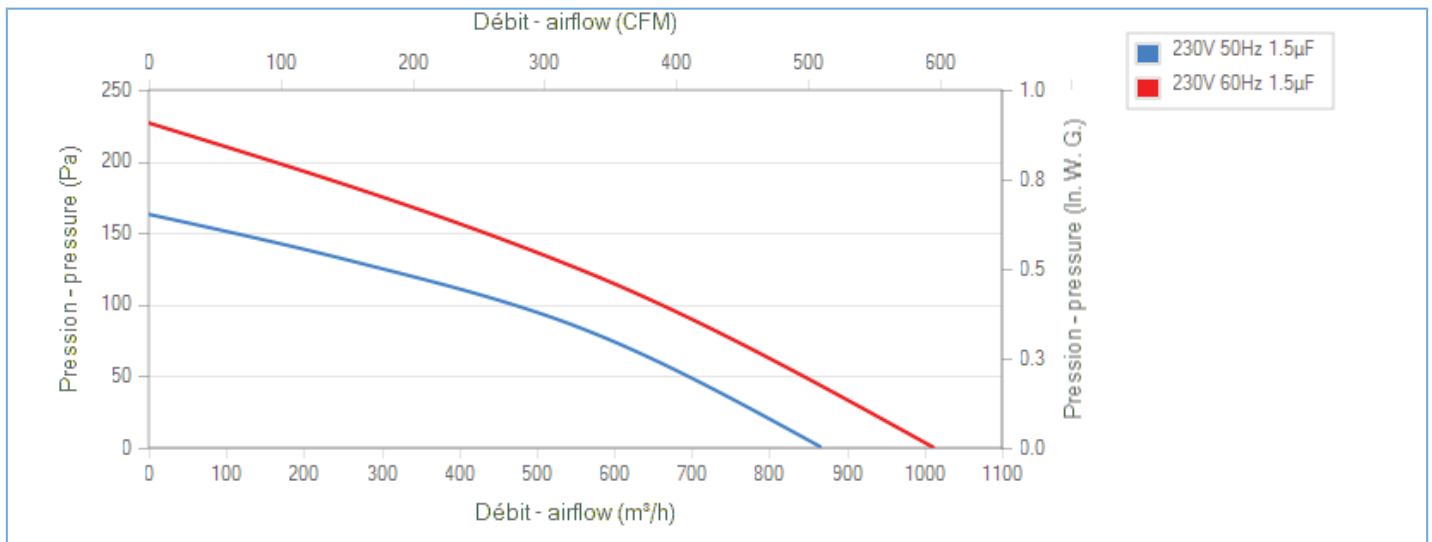
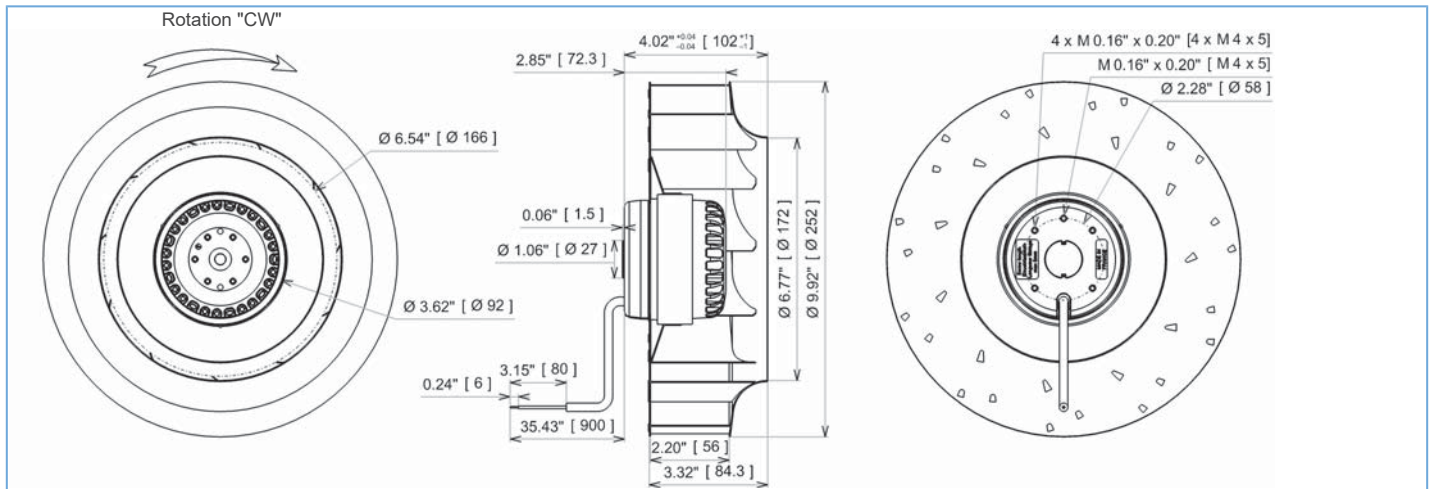
NA : not applicable

ErP 2013

NA

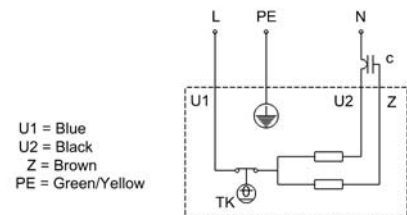
ErP 2015

NA



Description

- .Weight : 2,6 Kg
- .Ball bearing
- .Class F, thermally protected
- .IP44 protection depending on installation and position as per EN60034-5
- .G2.5 balancing
- .Rotor : black paint
- .Galvanized steel impeller



Non contractual document. All specifications are subject to change without prior notice. Picture for information only.



4RREu25 250x56R

D21-A0 p



DATA SHEET

release. f - Revision 09-2017

Data in accordance to ErP directive

Voltage	230	V
Frequency	50	Hz
Power	0,051	kW ⁽¹⁾
Airflow	530	m ³ /h ⁽¹⁾
Pressure	89	Pa ⁽¹⁾
Rotation speed	1354,5	RPM ⁽¹⁾

(1) at optimal efficiency point

ErP directive (EU 2009/125/EC) not applicable :
Power at optimum energy efficiency point

Accessories

- 19208
- 19208
- 21360
- 16114

Measurement setup

16114 M07-457 PAVILLON Dia Int.164 Ext.255 Galva

Documents

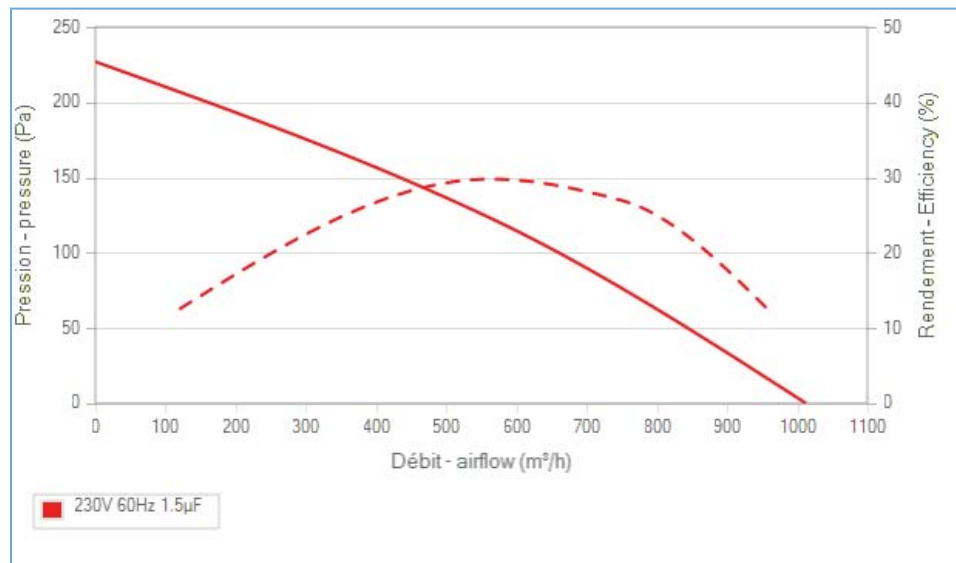
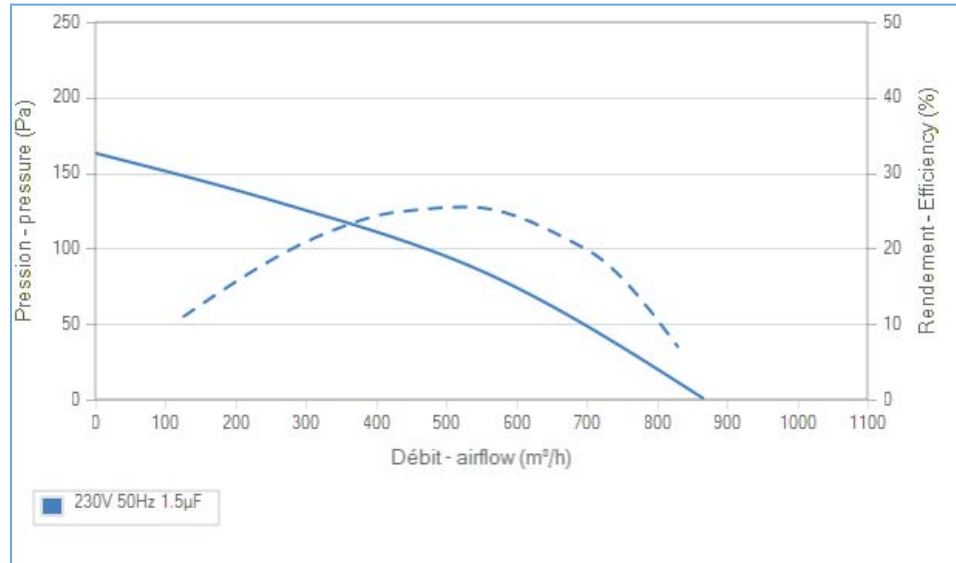
- Manuel d'utilisation
www.ecofit.com/site/normes
- Operating and recycling manual
www.ecofit.com/anglais/normes



UL2111 (XEWR2,8)
N° file E135223
4RS925



A041865
4RS925CN



Non contractual document. All specifications are subject to change without prior notice. Picture for information only.



4RREu35 280x80R (115V) B11-A8 p



DATA SHEET

release. d - Revision 02-2016

Substituted by N24-A8 p

Voltage	Frequency	Input Power	Input Current	Capacitor	Airflow	Rotation speed	Acoustic level	Direction rotation	Admissible Temperature
V	Hz	W	A	µF	m³/h	RPM	dBA		Min/Max
115	50	86	0,87	10,0	1350	1355	60	R	-40°C / +50°C
115	60	94	0,82	10,0	1555	1570	63	R	-40°C / +70°C
115	50				794 CFM				-40°F / 122°F
115	60				915 CFM				-40°F / 158°F



dBA : free blowing

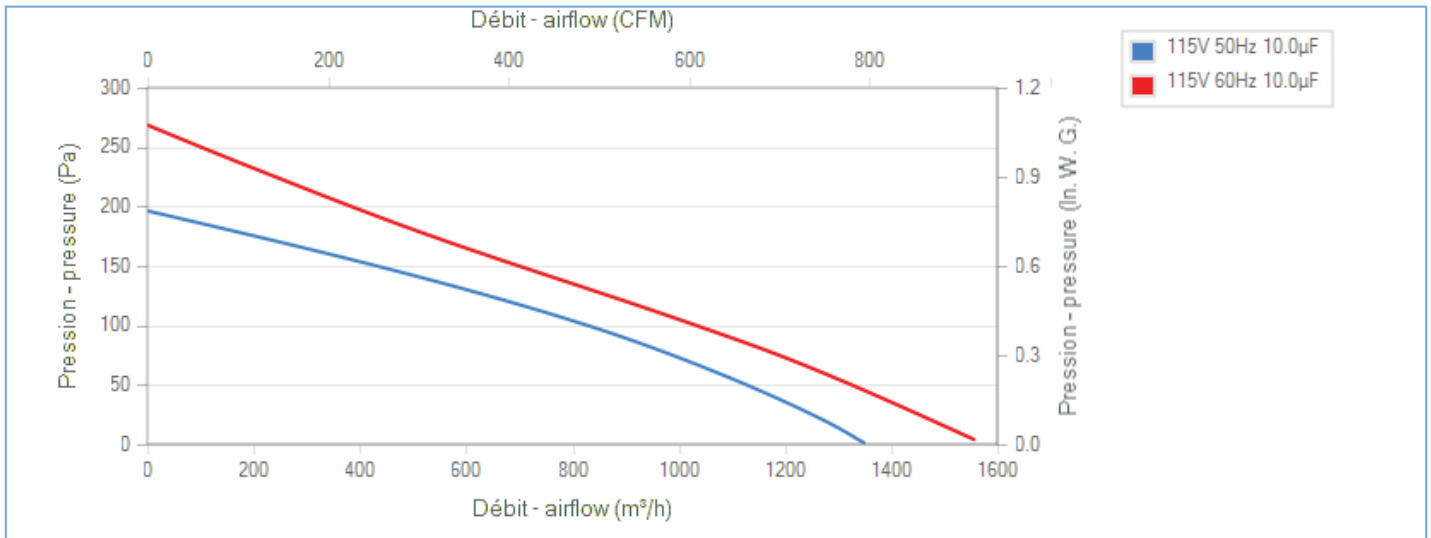
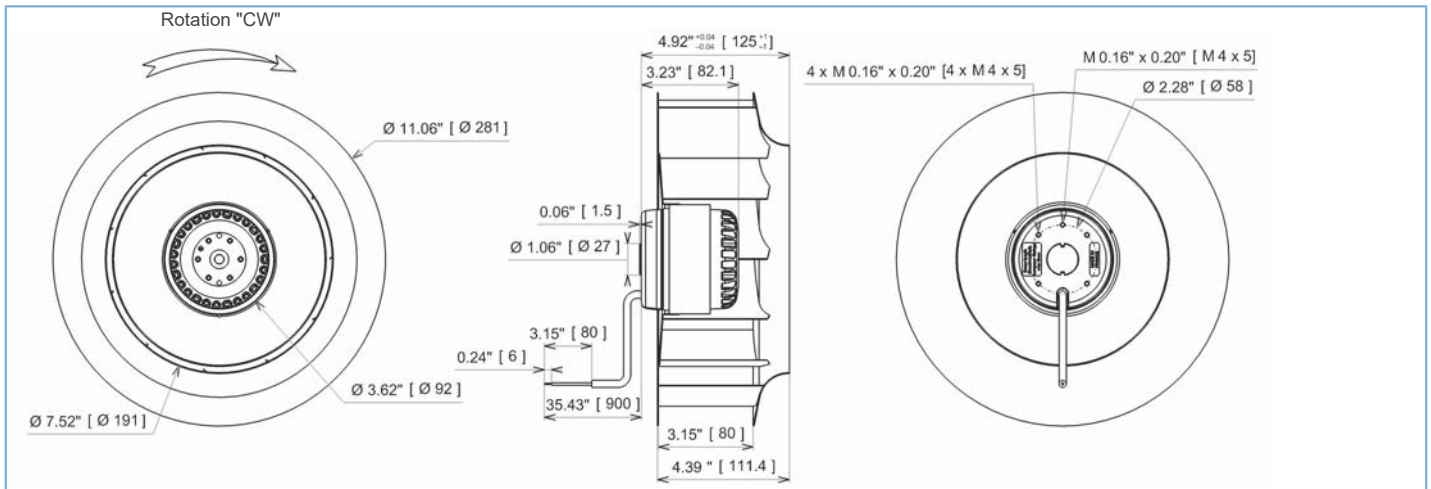
NA : not applicable

ErP 2013

NA

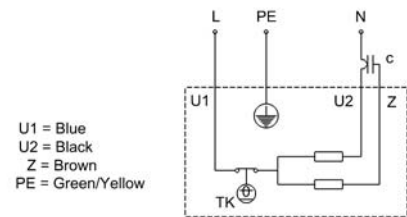
ErP 2015

NA



Description

- .Weight : 2,9 Kg
- .Ball bearing
- .Class F, thermally protected
- .IP44 protection depending on installation and position as per EN60034-5
- .G2.5 balancing
- .Rotor : black paint
- .Galvanized steel impeller
- .Motor - UL Recognized component



Non contractual document. All specifications are subject to change without prior notice. Picture for information only.



4RREu35 280x80R (115V) B11-A8 p



DATA SHEET

Substituted by N24-A8 p

release. d - Revision 02-2016

Data in accordance to ErP directive

Voltage	115	V
Frequency	50	Hz
Power	0,100	kW ⁽¹⁾
Airflow	832	m ³ /h ⁽¹⁾
Pressure	99	Pa ⁽¹⁾
Rotation speed	1251	RPM ⁽¹⁾

(1) at optimal efficiency point

ErP directive (EU 2009/125/EC) not applicable :
Power at optimum energy efficiency point

Accessories

- 19223
- 19223
- 16168

Measurement setup

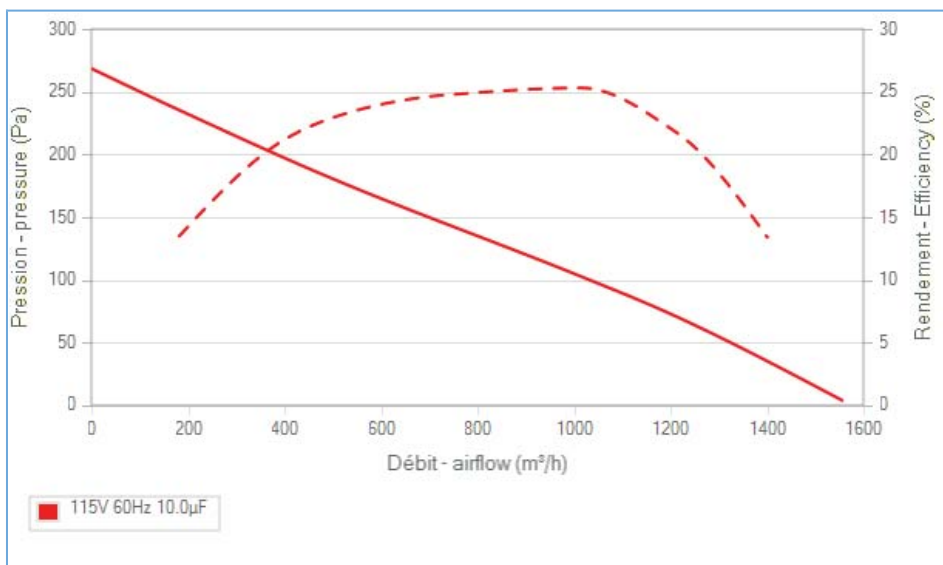
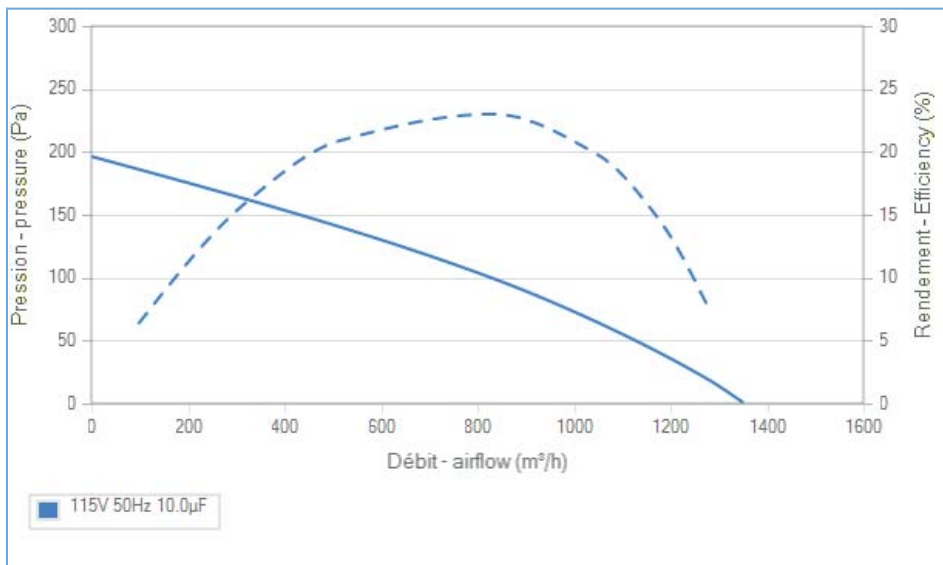
O_A182

Documents

- Manuel d'utilisation
www.ecofit.com/site/normes
- Operating and recycling manual
www.ecofit.com/anglais/normes



UL2111 (XEW2,8)
N° file E135223
4RS935



Non contractual document. All specifications are subject to change without prior notice. Picture for information only.



4RREu35 280x80R

Y06-08 p



DATA SHEET

release. g - Revision 06-2016

Substituted by N24-A9 p

Voltage	Frequency	Input Power	Input Current	Capacitor	Airflow	Rotation speed	Acoustic level	Direction rotation	Admissible Temperature
V	Hz	W	A	µF	m³/h	RPM	dBA		Min/Max
230	50	81	0,38	2,5	1390	1335	61	R	-40°C / +60°C
230	60	94	0,41	2,5	1563	1535	65	R	-40°C / +70°C
230	50				818 CFM				-40°F / 140°F
230	60				919 CFM				-40°F / 158°F



dBa : free blowing

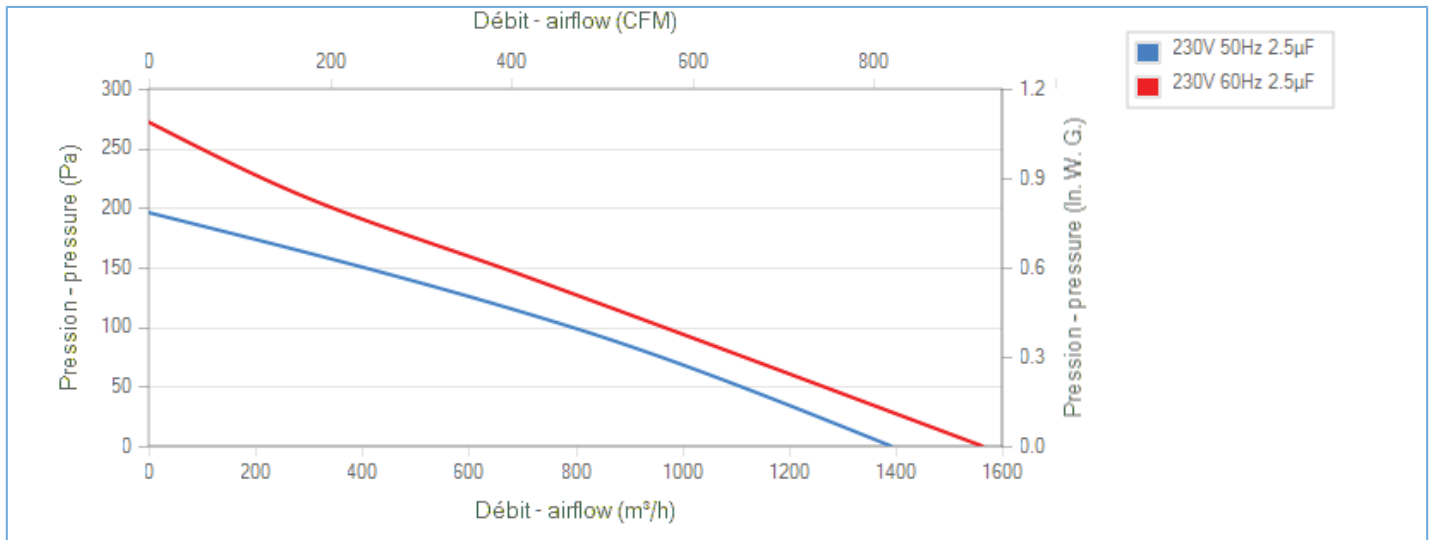
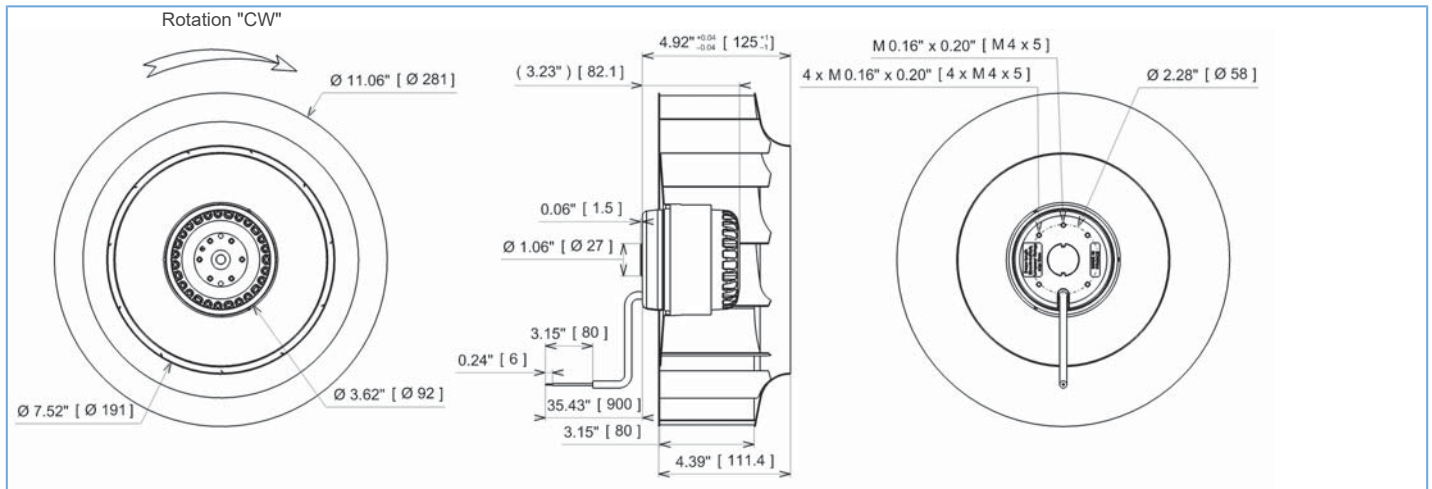
NA : not applicable

ErP 2013

NA

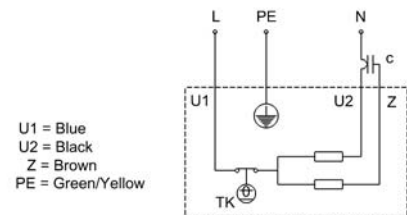
ErP 2015

NA



Description

- .Weight : 2,9 Kg
- .Ball bearing
- .Class F, thermally protected
- .IP44 protection depending on installation and position as per EN60034-5
- .G2.5 balancing
- .Rotor : black paint
- .Galvanized steel impeller
- .Motor - UL Recognized component



Non contractual document. All specifications are subject to change without prior notice. Picture for information only.



4RREu35 280x80R

Y06-08 p



DATA SHEET

release. g - Revision 06-2016

Substituted by N24-A9 p

Data in accordance to ErP directive

Voltage	230	V
Frequency	50	Hz
Power	0,096	kW ⁽¹⁾
Airflow	802	m ³ /h ⁽¹⁾
Pressure	98,5	Pa ⁽¹⁾
Rotation speed	1226	RPM ⁽¹⁾

(1) at optimal efficiency point

ErP directive (EU 2009/125/EC) not applicable :
Power at optimum energy efficiency point

Accessories

- 19218
- 19218
- 16168

Measurement setup

16168 OUIE Di182 De320mm H12 GALVA

Documents

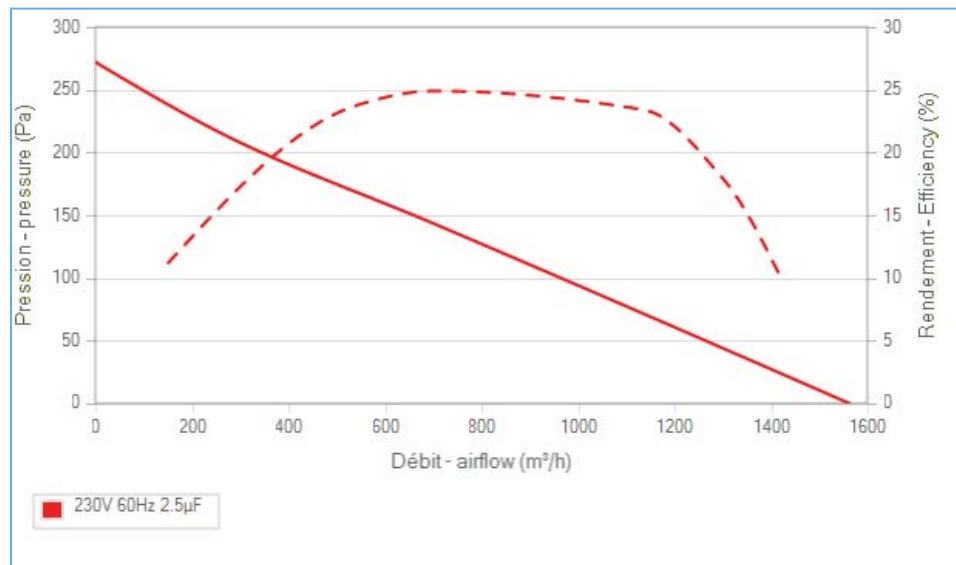
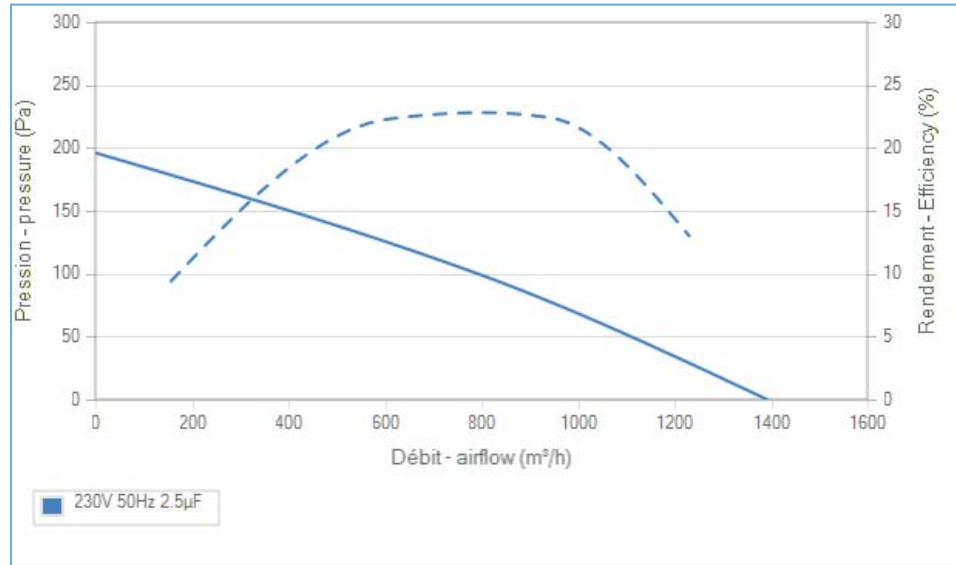
- Manuel d'utilisation
www.ecofit.com/site/normes
- Operating and recycling manual
www.ecofit.com/anglais/normes



UL2111 (XEW2,8)
N° file E135223
4RS935



A041865
4RS935CN



Non contractual document. All specifications are subject to change without prior notice. Picture for information only.



4RREu45 315x101R (115V) B11-A9

DATA SHEET

release. c - Revision 09-2014

Voltage	Frequency	Input Power	Input Current	Capacitor	Airflow	Rotation speed	Acoustic level	Direction rotation	Admissible Temperature
V	Hz	W	A	µF	m³/h	RPM	dBA	↻	Min/Max
115	50	120	1,06	14,0	1815	1340	59	R	-40°C / +50°C
115	60	157	1,37	14,0	2030	1500	61	R	-40°C / +50°C
115	50				1068 CFM				-40°F / 122°F
115	60				1194 CFM				-40°F / 122°F



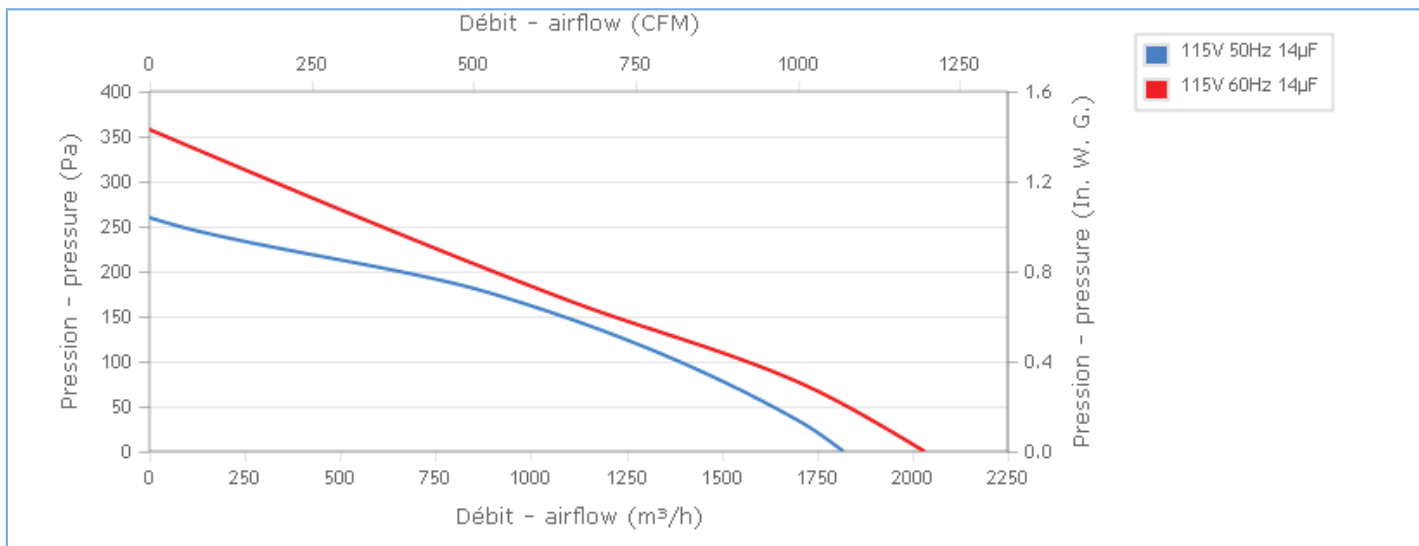
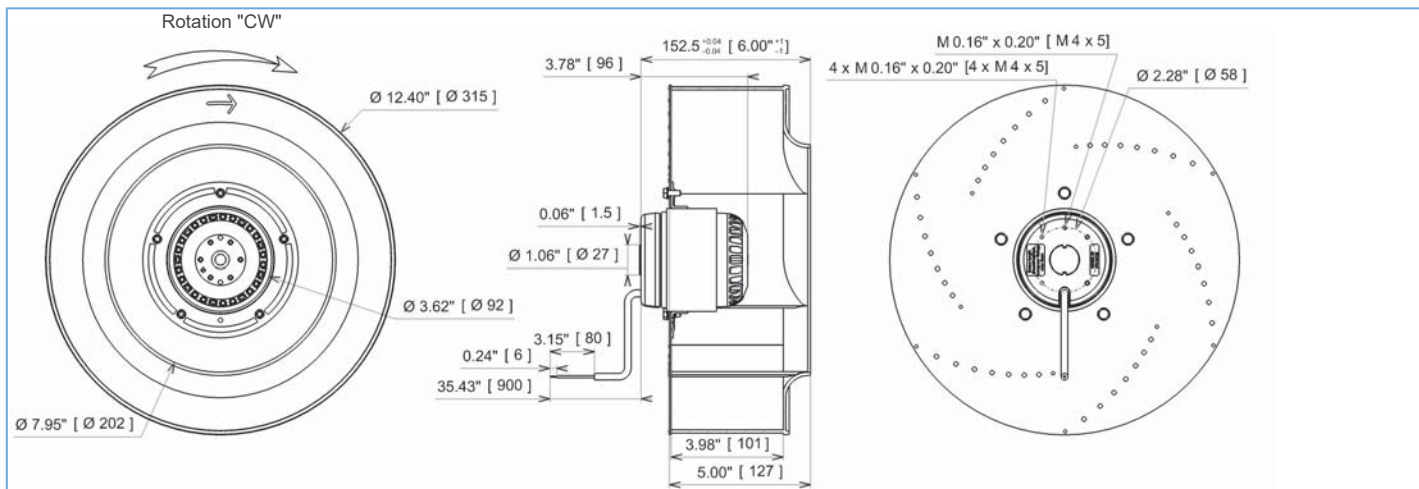
dBA : free blowing

ErP 2013

NOK

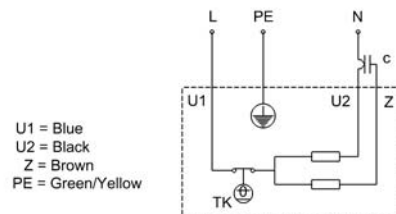
ErP 2015

NOK



Description

- .Weight : 3,9 Kg
- .Ball bearing
- .Class F, thermally protected
- .IP44 protection depending on installation and position as per EN60034-5
- .G2.5 balancing
- .Rotor : black paint
- .PA 6/6 UL 94 V-0 plastic impeller
- .Motor - UL Recognized component



Non contractual document. All specifications are subject to change without prior notice. Picture for information only.



4RREu45 315x101R (115V) B11-A9

DATA SHEET

release. c - Revision 09-2014

Data in accordance to ErP directive

Voltage	115	V
Frequency	50	Hz
Power	0,141	kW ⁽¹⁾
Airflow	921	m ³ /h ⁽¹⁾
Pressure	172	Pa ⁽¹⁾
Rotation speed	1254	RPM ⁽¹⁾

(1) at optimal efficiency point

For service use only in Europe according ErP directive EU 2009/125/EC

Accessories

- 19224
- 19224
- 16151

Measurement setup

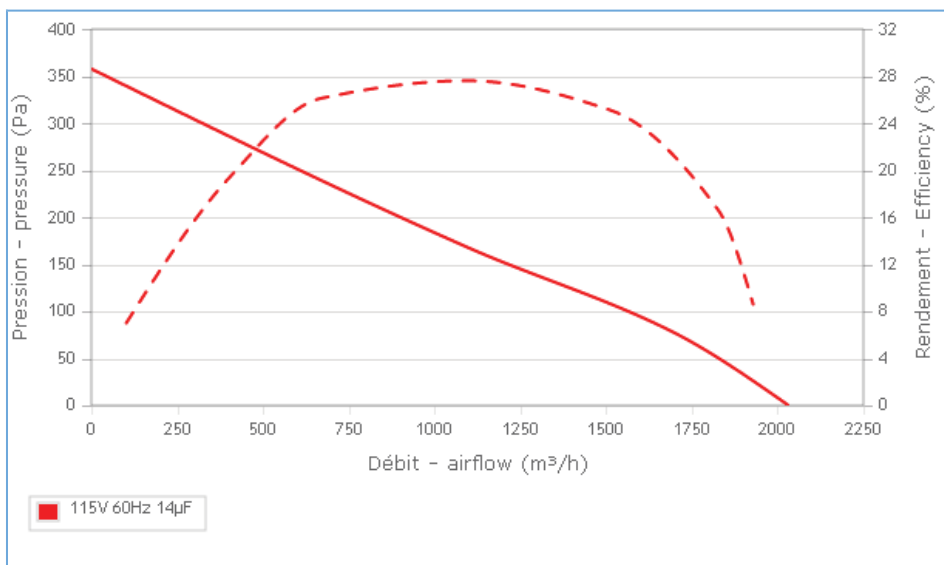
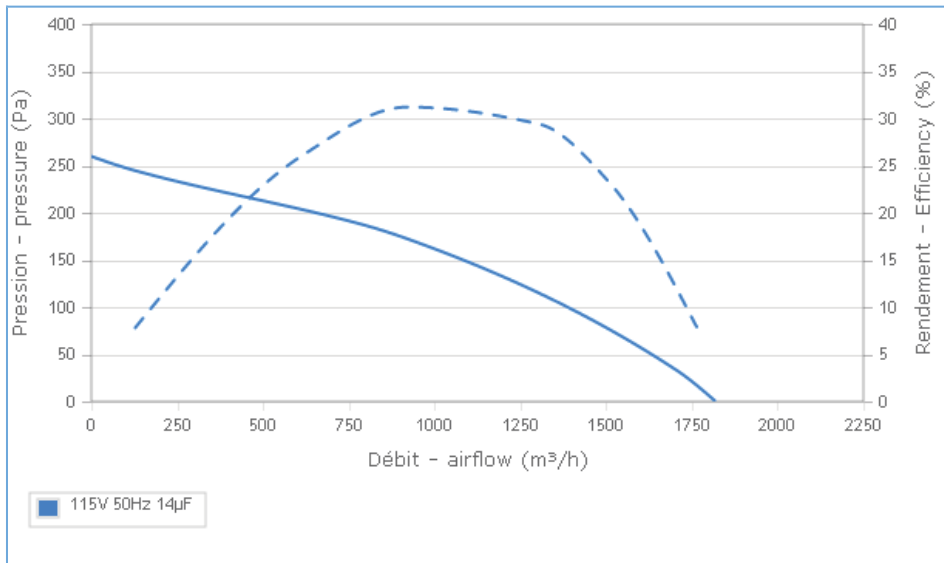
16151 Ouie EKHR/DKHR 310 Ø193 H55

Documents

- Manuel d'utilisation
www.ecofit.com/site/normes
- Operating and recycling manual
www.ecofit.com/anglais/normes



UL2111 (XEW2,8)
N° file E135223
4RS945



Non contractual document. All specifications are subject to change without prior notice. Picture for information only.



4RREu45 315x101R

L38-A4 p



DATA SHEET

release. a - Revision 05-2017

Voltage	Frequency	Input Power	Input Current	Capacitor	Airflow	Rotation speed	Acoustic level	Direction rotation	Admissible Temperature
V	Hz	W	A	µF	m³/h	RPM	dBA		Min/Max
230	50	100	0,46	3,5	1770	1295	59	R	-40°C / +70°C
230	60	129	0,57	3,5	1900	1395	61	R	-40°C / +70°C
230	50				1041 CFM				-40°F / 158°F
230	60				1118 CFM				-40°F / 158°F



dBA : free blowing

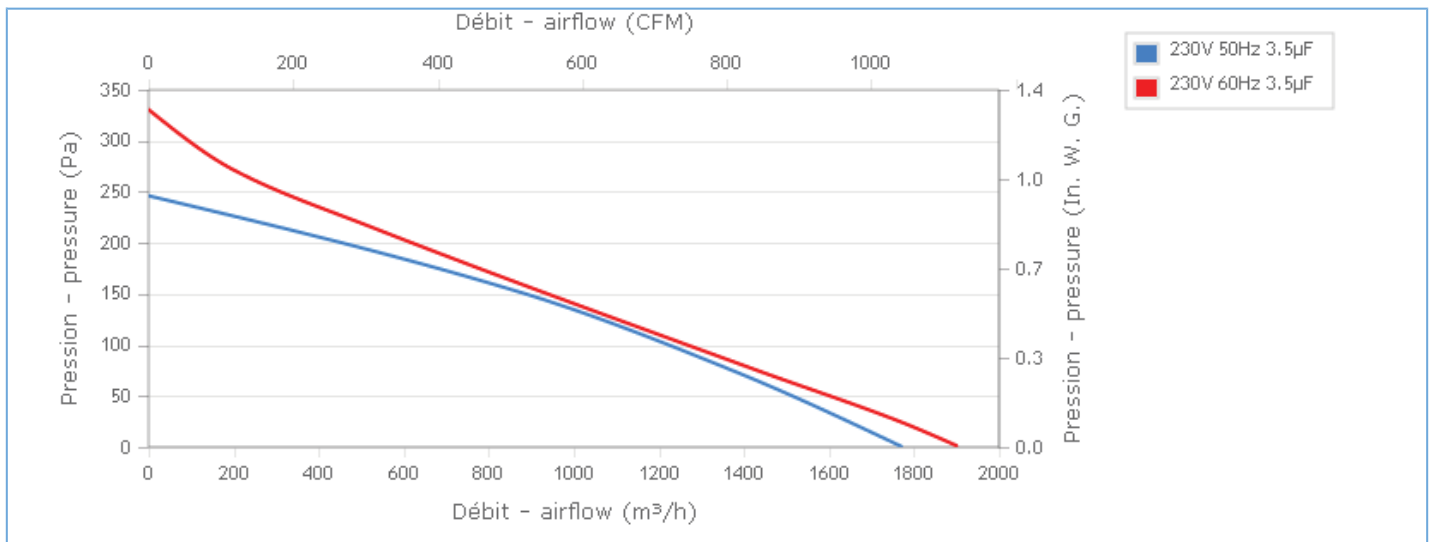
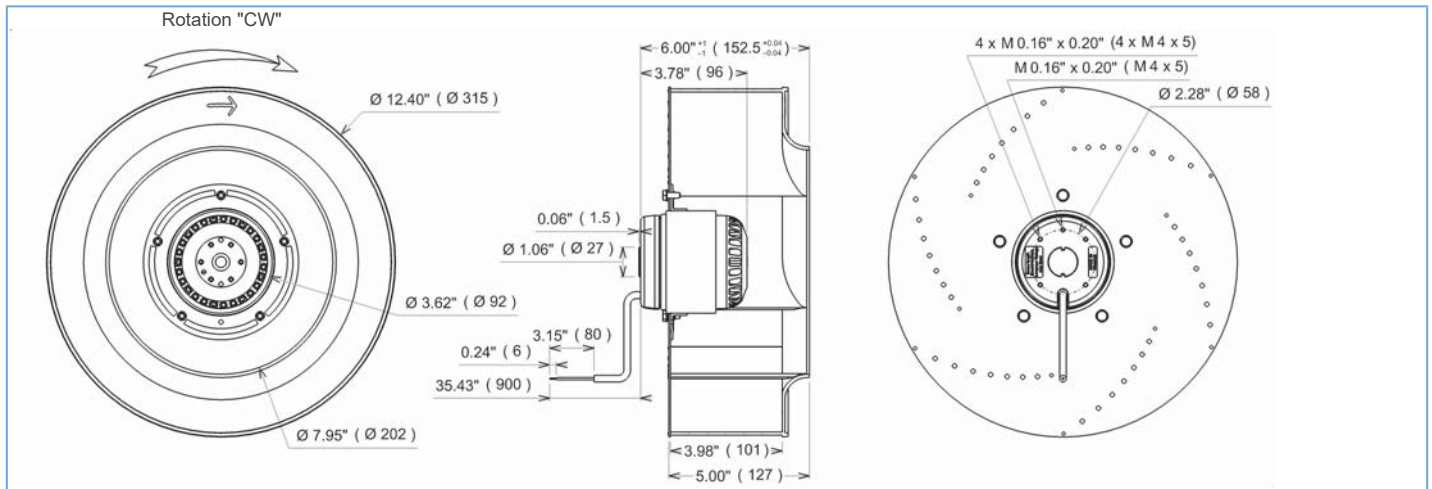
NA : not applicable

ErP 2013

NA

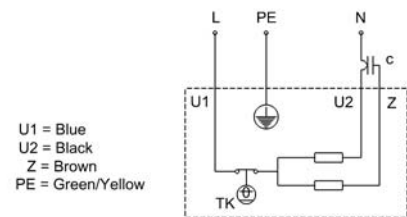
ErP 2015

NA



Description

- .Weight : 3,9 Kg
- .Ball bearing
- .Class F, thermally protected
- .IP44 protection depending on installation and position as per EN60034-5
- .G2.5 balancing
- .Rotor : black paint
- .PA 6/6 UL 94 V-0 plastic impeller
- .Motor - UL Recognized component



Non contractual document. All specifications are subject to change without prior notice. Picture for information only.



4RREu45 315x101R

L38-A4 p



DATA SHEET

release. a - Revision 05-2017

Data in accordance to ErP directive

Voltage	230	V
Frequency	50	Hz
Power	0,123	kW ⁽¹⁾
Airflow	1070	m ³ /h ⁽¹⁾
Pressure	128	Pa ⁽¹⁾
Rotation speed	1180	RPM ⁽¹⁾

(1) at optimal efficiency point

ErP directive (EU 2009/125/EC) not applicable :
Power at optimum energy efficiency point

Accessories

- 19232
- 19232
- 16151

Measurement setup

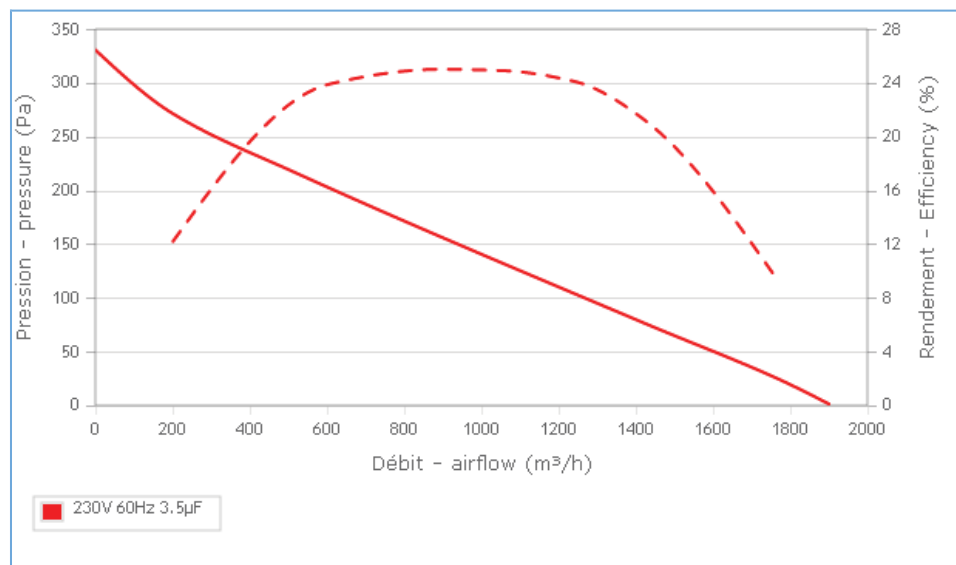
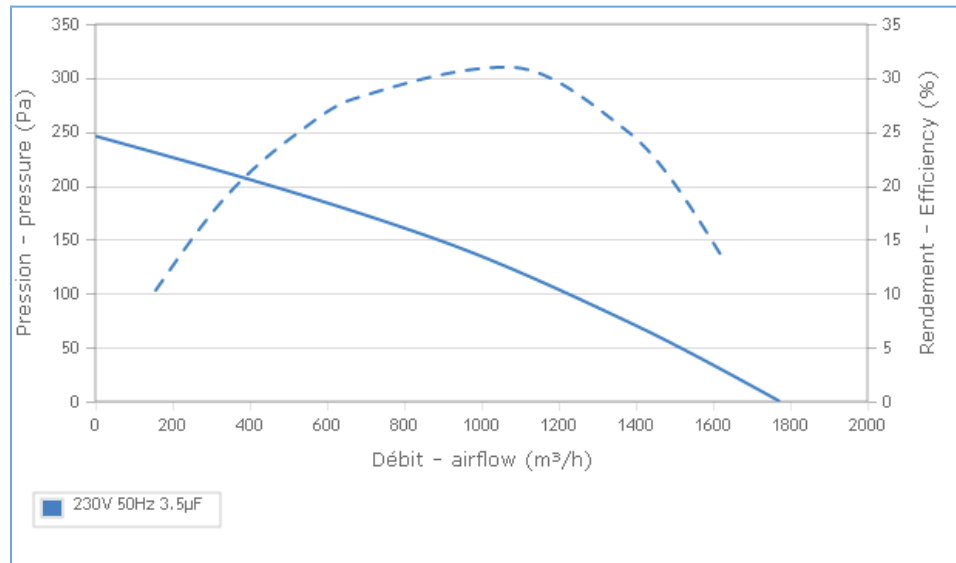
16151 Ouie EKHR/DKHR 310 Ø193 H55

Documents

- Manuel d'utilisation
www.ecofit.com/site/normes
- Operating and recycling manual
www.ecofit.com/anglais/normes



UL2111 (XEW2,8)
N° file E135223
4RS945



Non contractual document. All specifications are subject to change without prior notice. Picture for information only.



4RREu45 315x101R

Y06-09

DATA SHEET

release. g - Revision 04-2017

Voltage	Frequency	Input Power	Input Current	Capacitor	Airflow	Rotation speed	Acoustic level	Direction rotation	Admissible Temperature
V	Hz	W	A	µF	m³/h	RPM	dBA		Min/Max
230	50	128	0,57	4,0	1905	1340	61	R	-40°C / +60°C
230	60	163	0,71	4,0	2150	1525	64	R	-40°C / +70°C
230	50				1121 CFM				-40°F / 140°F
230	60				1265 CFM				-40°F / 158°F



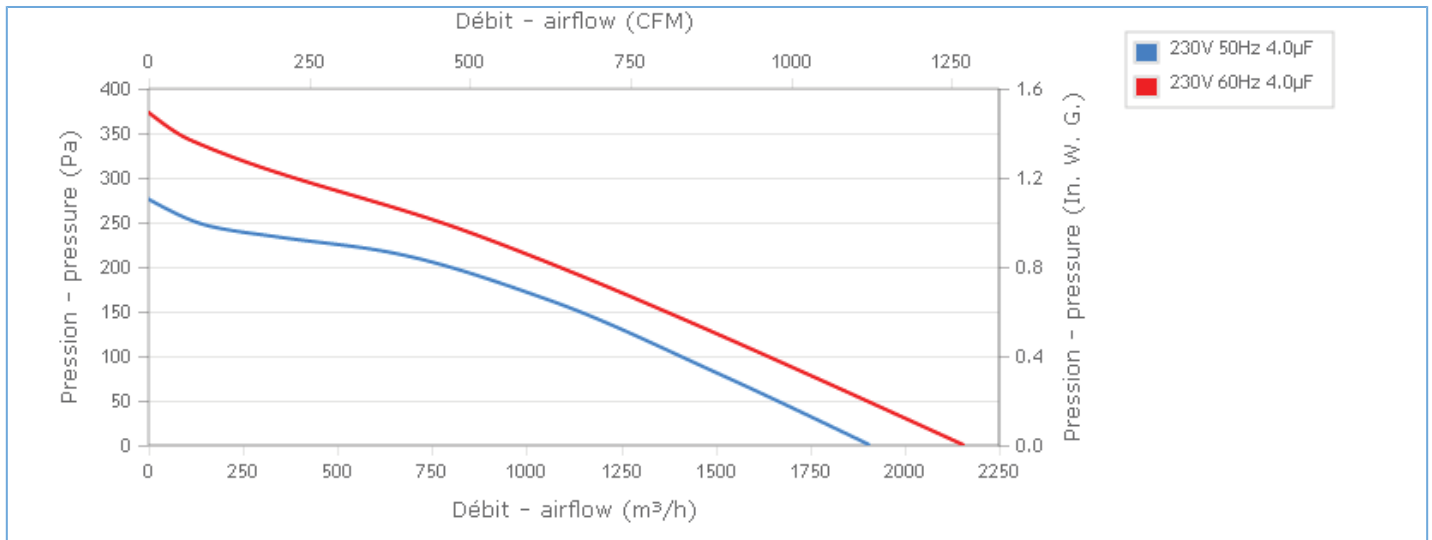
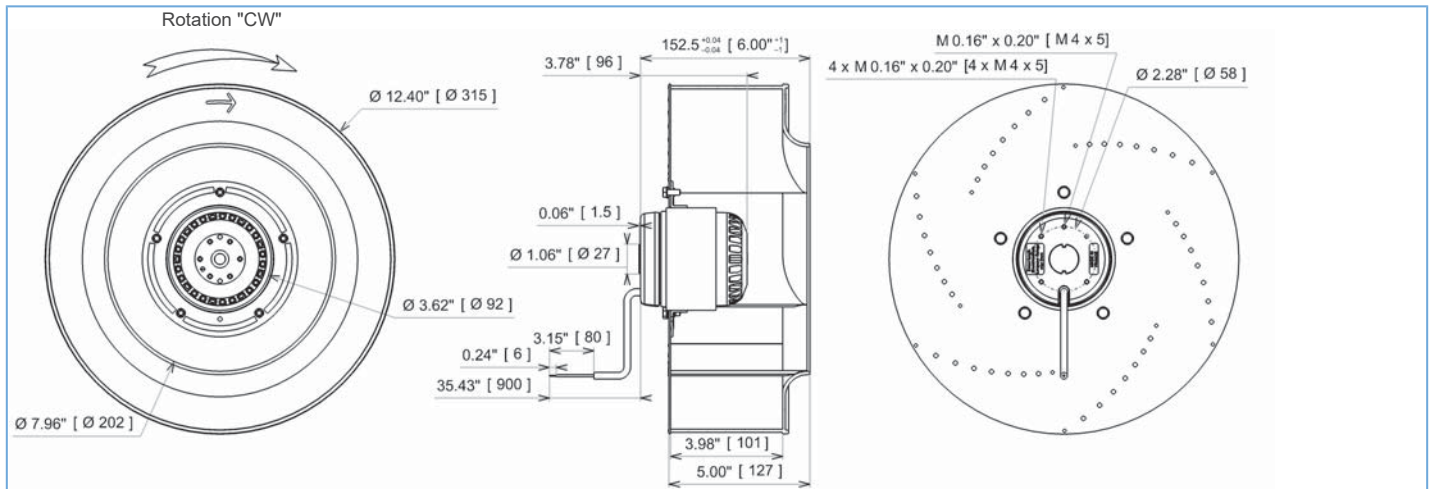
dBA : free blowing

ErP 2013

NOK

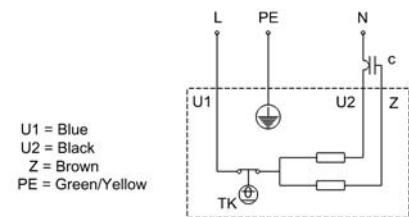
ErP 2015

NOK



Description

- .Weight : 3,9 Kg
- .Ball bearing
- .Class F, thermally protected
- .IP44 protection depending on installation and position as per EN60034-5
- .G2.5 balancing
- .Rotor : black paint
- .PA 6/6 UL 94 V-0 plastic impeller
- .Motor - UL Recognized component



Non contractual document. All specifications are subject to change without prior notice. Picture for information only.



4RREu45 315x101R

Y06-09

DATA SHEET

release. g - Revision 04-2017

Data in accordance to ErP directive

Voltage	230	V
Frequency	50	Hz
Power	0,151	kW ⁽¹⁾
Airflow	1060	m ³ /h ⁽¹⁾
Pressure	163	Pa ⁽¹⁾
Rotation speed	1267	RPM ⁽¹⁾

(1) at optimal efficiency point

For service use only in Europe according ErP directive EU 2009/125/EC

Accessories

- 19220
- 19220
- 16151

Measurement setup

16151 Ouie EKHR/DKHR 310 Ø193 H55

Documents

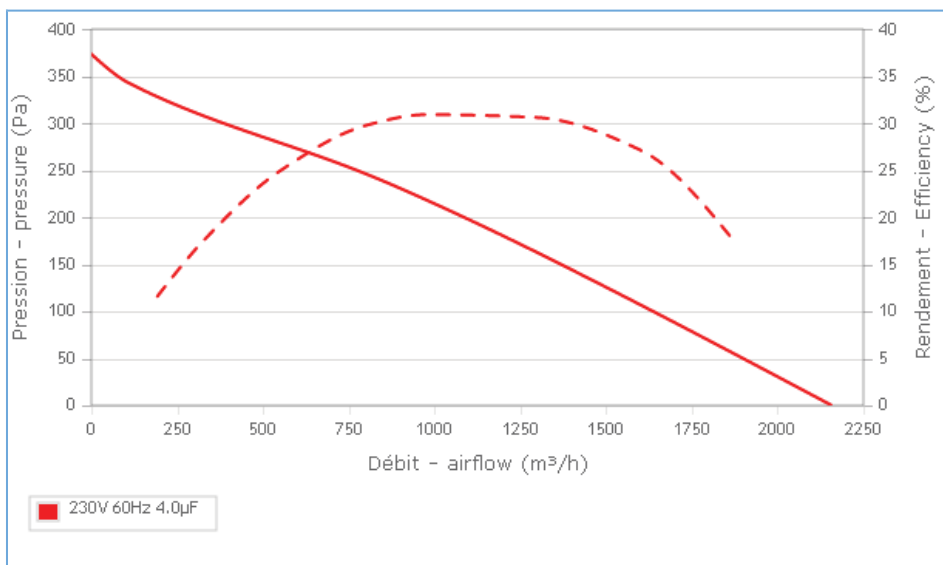
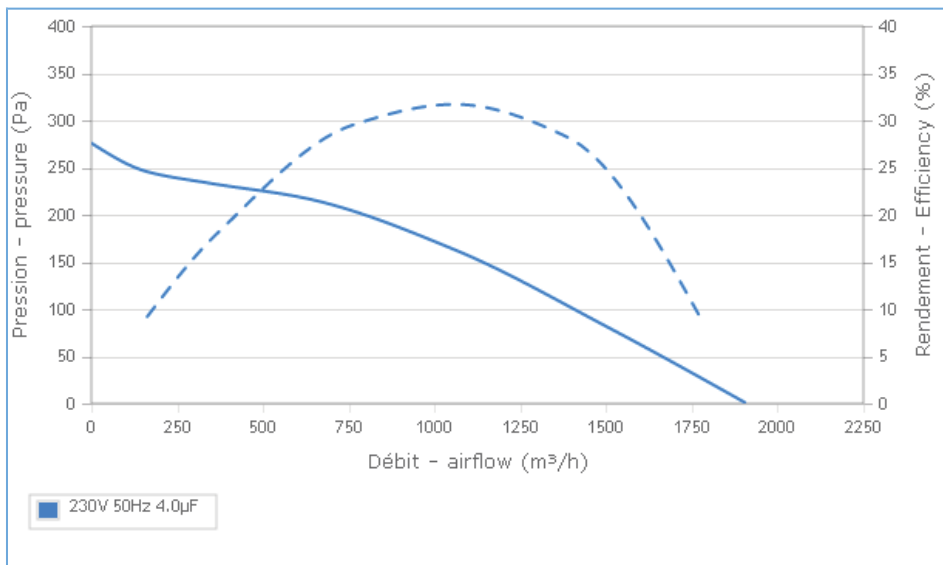
- Manuel d'utilisation
www.ecofit.com/site/normes
- Operating and recycling manual
www.ecofit.com/anglais/normes



UL2111 (XEW2,8)
N° file E135223
4RS945



A041865
4RS945CN



Non contractual document. All specifications are subject to change without prior notice. Picture for information only.