



2RREu15 180x35R (Inv)

C36-B2 p



DATA SHEET

release. f - Revision 04-2017

Voltage	Frequency	Input Power	Input Current	Capacitor	Airflow	Rotation speed	Acoustic level	Direction rotation	Admissible Temperature
V	Hz	W	A	µF	m³/h	RPM	dBA		Min/Max
230	50	44	0,2	1,5	385	2540	60	R	-40°C / +70°C
230	60	52	0,24	1,5	435	2835	63	R	-40°C / +70°C
230	50				226 CFM				-40°F / 158°F
230	60				256 CFM				-40°F / 158°F



dBa : free blowing

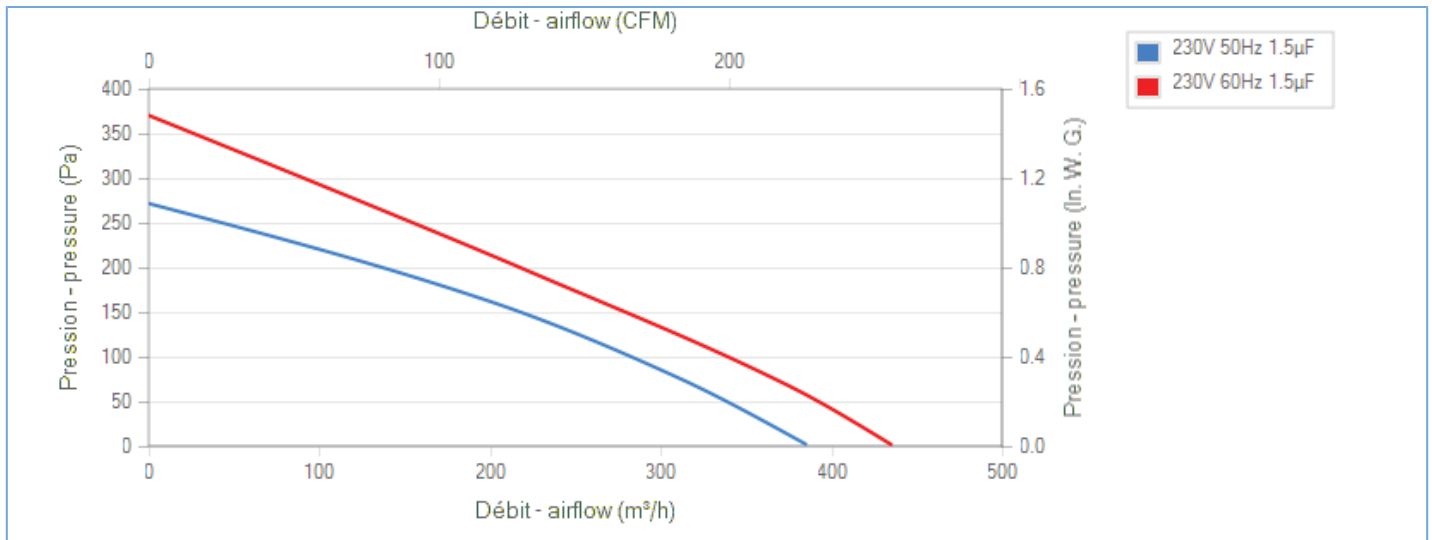
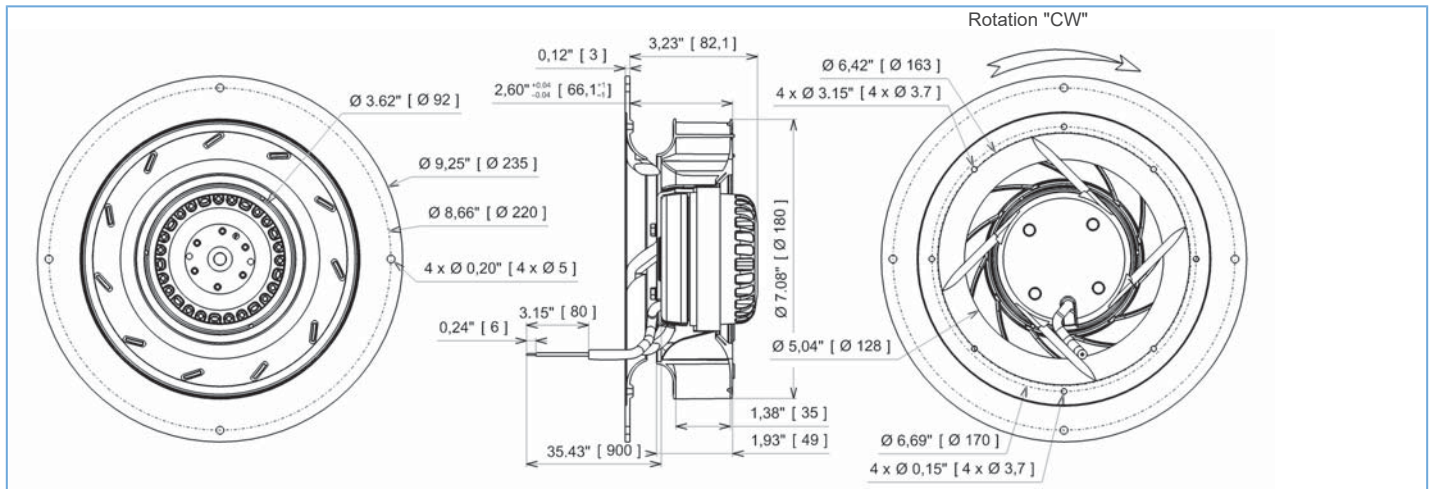
NA : not applicable

ErP 2013

NA

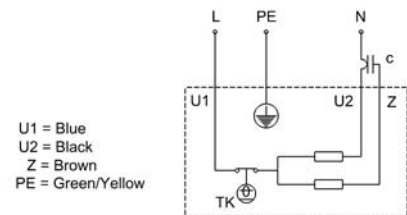
ErP 2015

NA



Description

- .Weight : 1,5 Kg
- .Ball bearing
- .Class F, thermally protected
- .IP44 protection depending on installation and position as per EN60034-5
- .G2.5 balancing
- .Rotor : black paint
- .PA 6/6 UL 94 V-0 plastic impeller
- .Black painted aluminium reversed-inletcone
- .Motor - UL Recognized component



Non contractual document. All specifications are subject to change without prior notice. Picture for information only.



2RREu15 180x35R (Inv)

C36-B2 p



DATA SHEET

release. f - Revision 04-2017

Data in accordance to ErP directive

Voltage	230	V
Frequency	50	Hz
Power	0,045	kW ⁽¹⁾
Airflow	200	m ³ /h ⁽¹⁾
Pressure	161,9	Pa ⁽¹⁾
Rotation speed	2482	RPM ⁽¹⁾

(1) at optimal efficiency point

ErP directive (EU 2009/125/EC) not applicable :
Power at optimum energy efficiency point

Accessories

19208

19208

21366

Measurement setup

16193 M05-021 Outil support moteur Ø128inter
Ø235ext moulée Alu NOIRE

Documents

Manuel d'utilisation
www.ecofit.com/site/normes

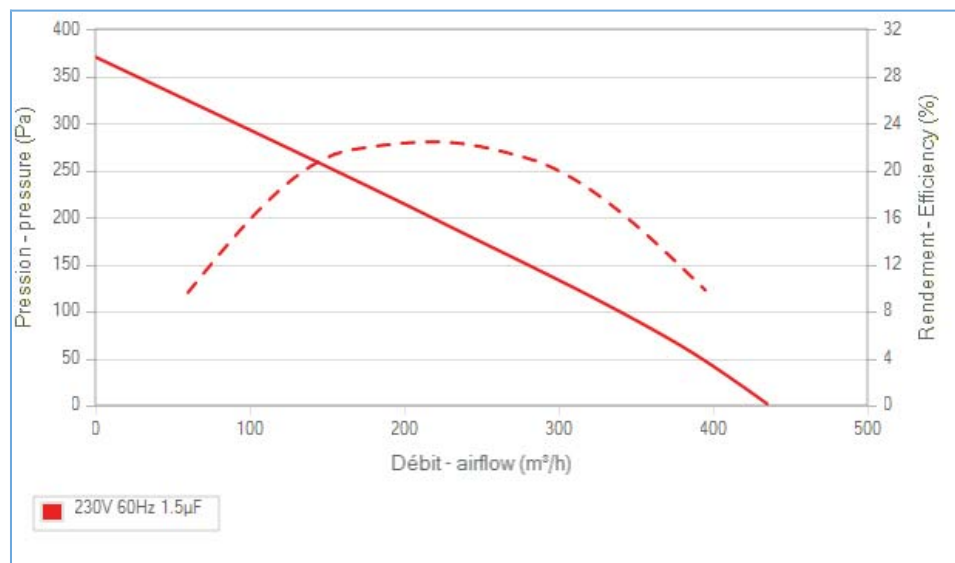
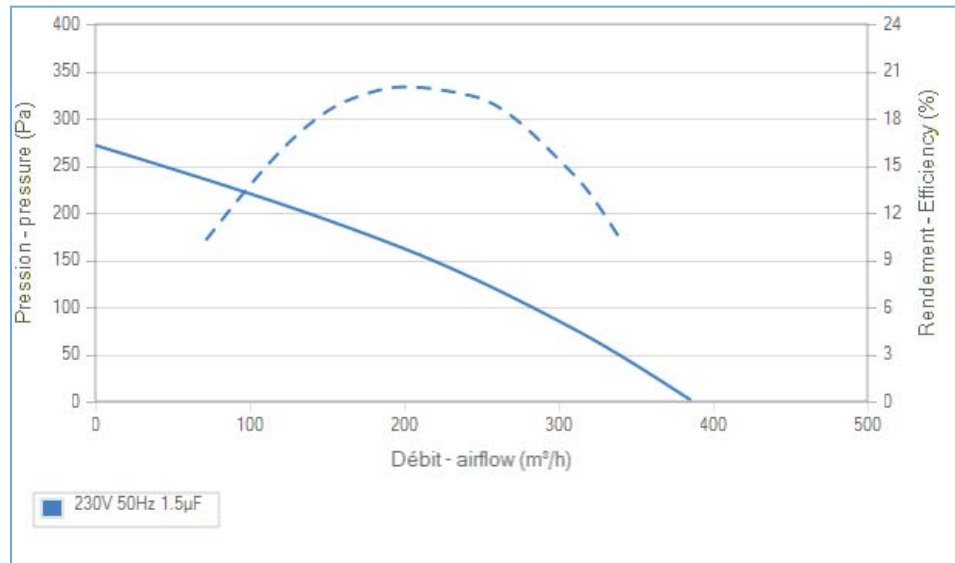
Operating and recycling manual
www.ecofit.com/anglais/normes



UL2111 (XEW2,8)
N° file E135223
2RS915



A041865
2RS915CN



Non contractual document. All specifications are subject to change without prior notice. Picture for information only.



2RREu15 180x35R (Inv)

C41-A9 p



DATA SHEET

release. f - Revision 04-2017

Voltage	Frequency	Input Power	Input Current	Capacitor	Airflow	Rotation speed	Acoustic level	Direction rotation	Admissible Temperature
V	Hz	W	A	µF	m³/h	RPM	dBA		Min/Max
230	50	44	0,2	1,5	385	2540	60	R	-40°C / +70°C
230	60	52	0,24	1,5	435	2835	63	R	-40°C / +70°C
230	50				226 CFM				-40°F / 158°F
230	60				256 CFM				-40°F / 158°F



dBA : free blowing

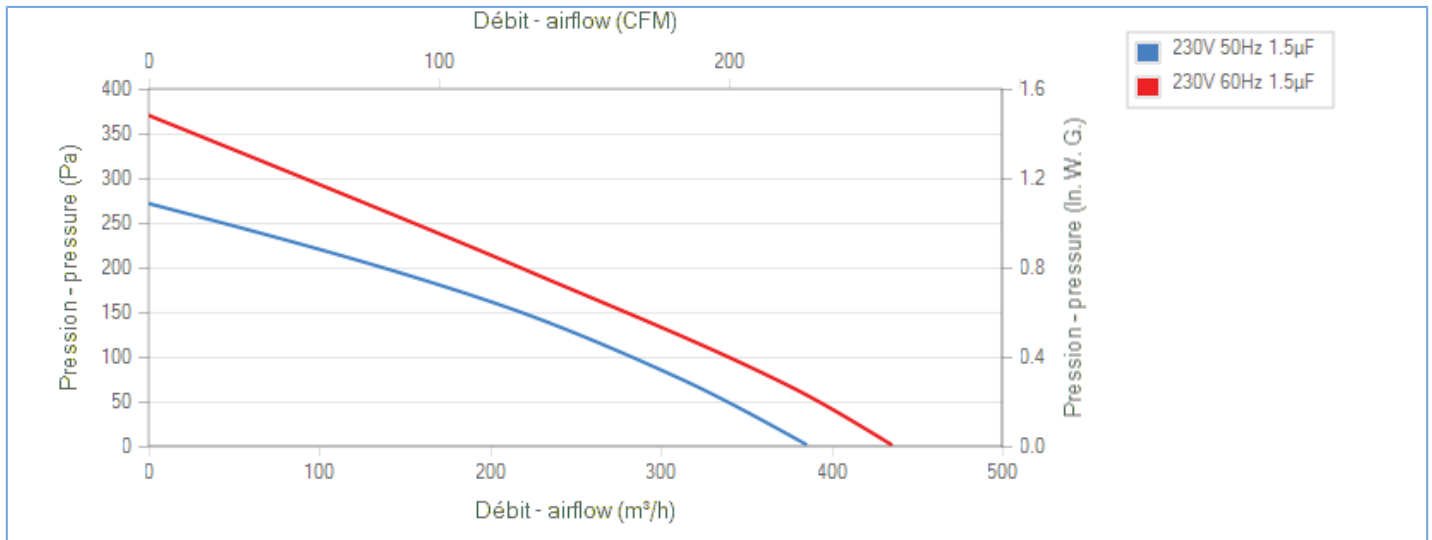
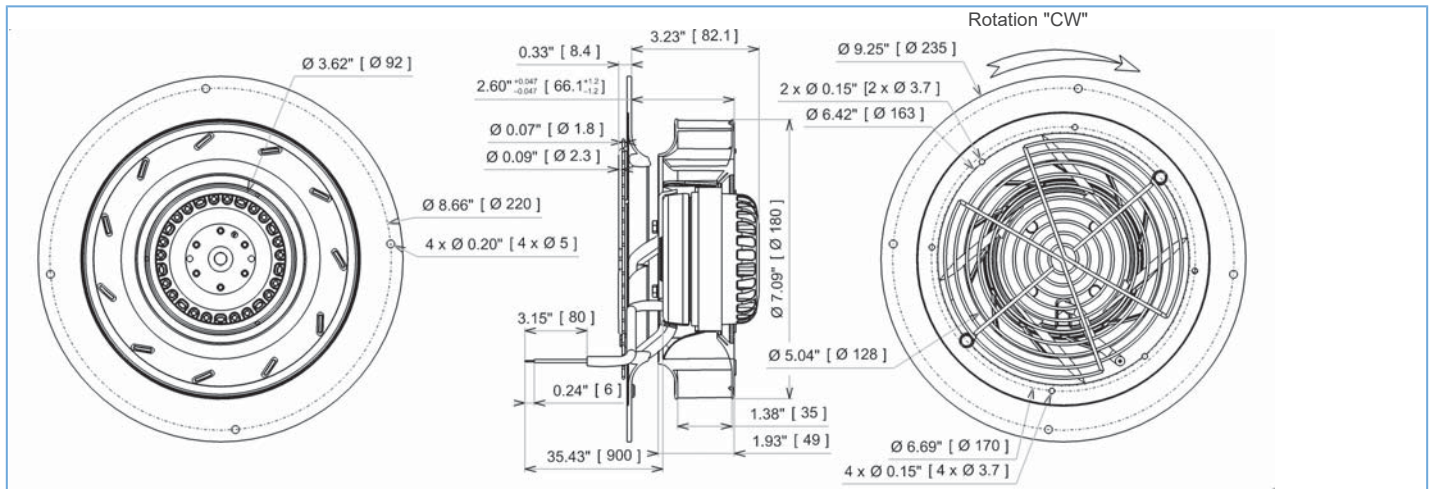
NA : not applicable

ErP 2013

NA

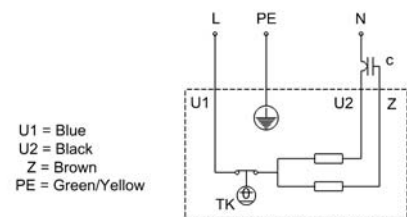
ErP 2015

NA



Description

- .Weight : 1,6 Kg
- .Ball bearing
- .Class F, thermally protected
- .IP44 protection depending on installation and position as per EN60034-5
- .G2.5 balancing
- .Rotor : black paint
- .PA 6/6 UL 94 V-0 plastic impeller
- .Black painted aluminium reversed-inletcone
- .Finger guard
- .Motor - UL Recognized component



Non contractual document. All specifications are subject to change without prior notice. Picture for information only.



2RREu15 180x35R (Inv)

C41-A9 p



DATA SHEET

release. f - Revision 04-2017

Data in accordance to ErP directive

Voltage	230	V
Frequency	50	Hz
Power	0,045	kW ⁽¹⁾
Airflow	200	m ³ /h ⁽¹⁾
Pressure	161,9	Pa ⁽¹⁾
Rotation speed	2482	RPM ⁽¹⁾

(1) at optimal efficiency point

ErP directive (EU 2009/125/EC) not applicable :
Power at optimum energy efficiency point

Accessories

19208

19208

Measurement setup

16193 M05-021Ouille support moteur Ø128inter
Ø235ext moulée Alu NOIRE

Documents

Manuel d'utilisation
www.ecofit.com/site/normes

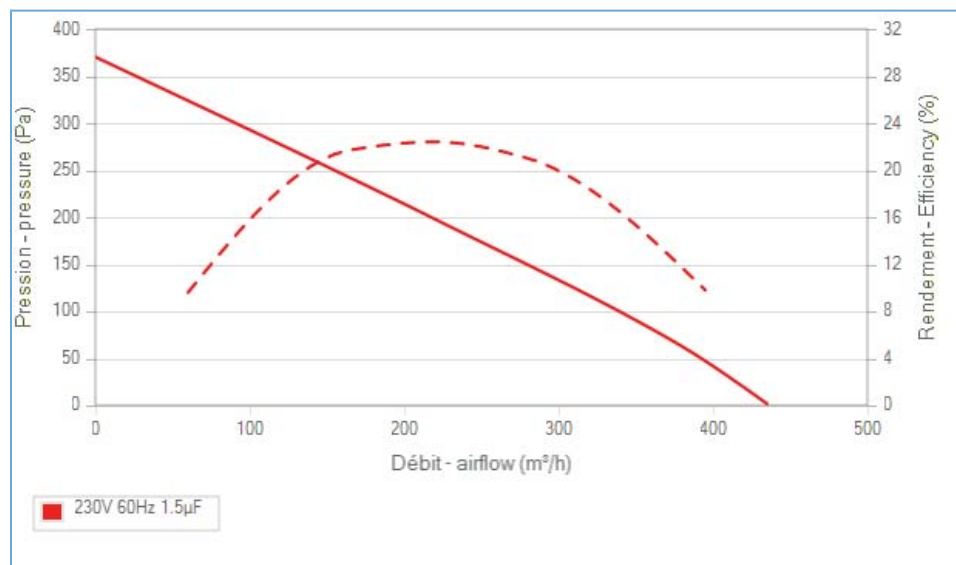
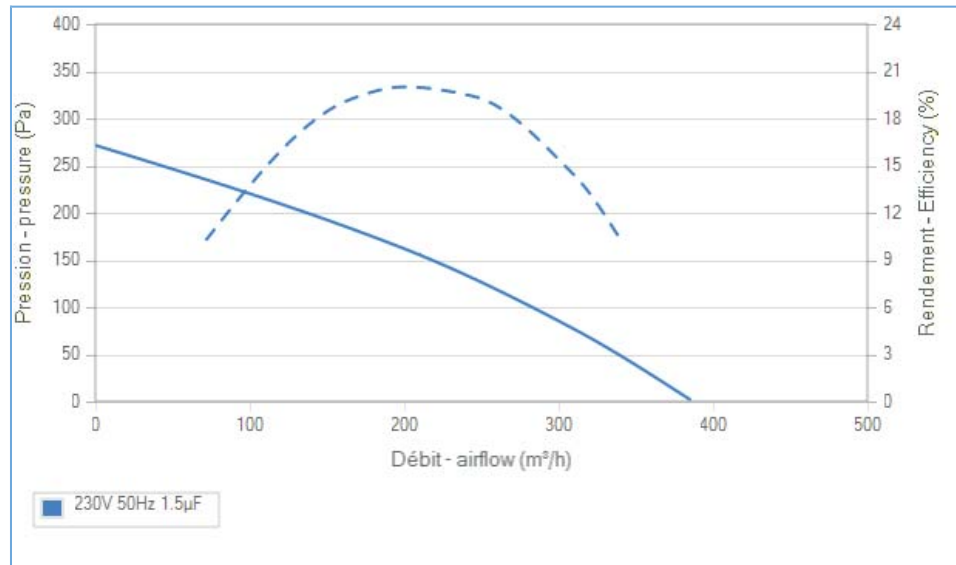
Operating and recycling manual
www.ecofit.com/anglais/normes



UL2111 (XEWR2,8)
N° file E135223
2RS915



A041865
2RS915CN



Non contractual document. All specifications are subject to change without prior notice. Picture for information only.



2RREu15 180x35R (115V-Inv) C45-A4 p



DATA SHEET

release. e - Revision 04-2017

Voltage	Frequency	Input Power	Input Current	Capacitor	Airflow	Rotation speed	Acoustic level	Direction rotation	Admissible Temperature
V	Hz	W	A	µF	m³/h	RPM	dBA		Min/Max
115	50	48	0,45	5,0	370	2640	62	R	-40°C / +70°C
115	60	57	0,5	5,0	420	2980	64	R	-40°C / +70°C
115	50				217 CFM				-40°F / 158°F
115	60				247 CFM				-40°F / 158°F



dBa : free blowing

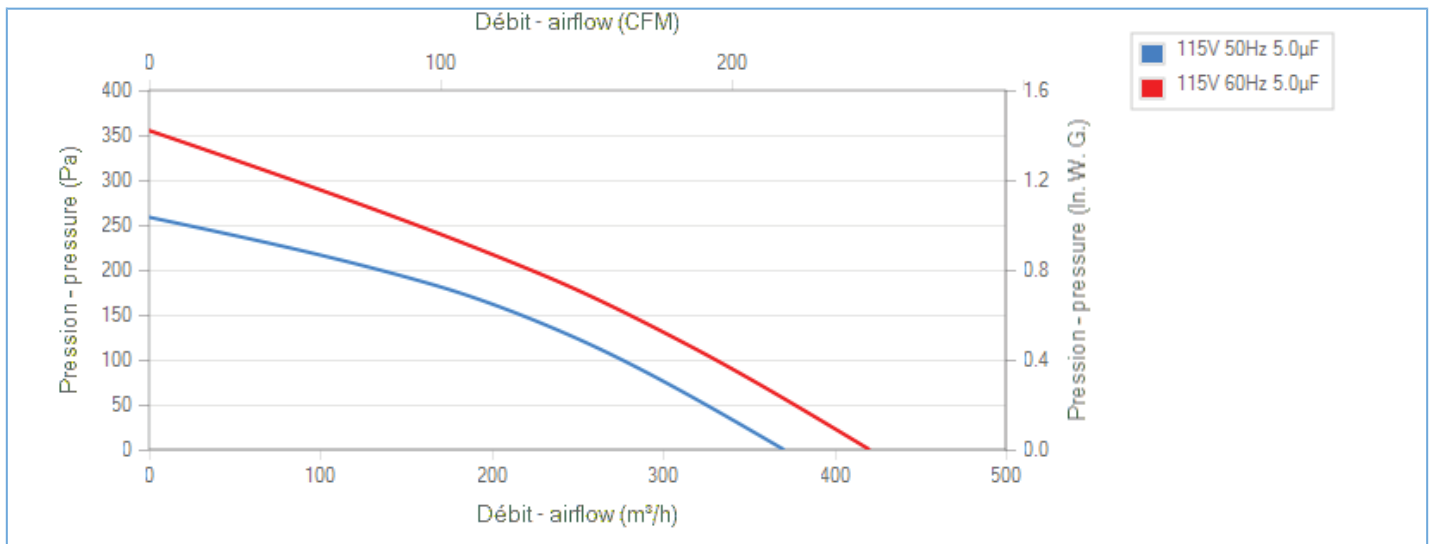
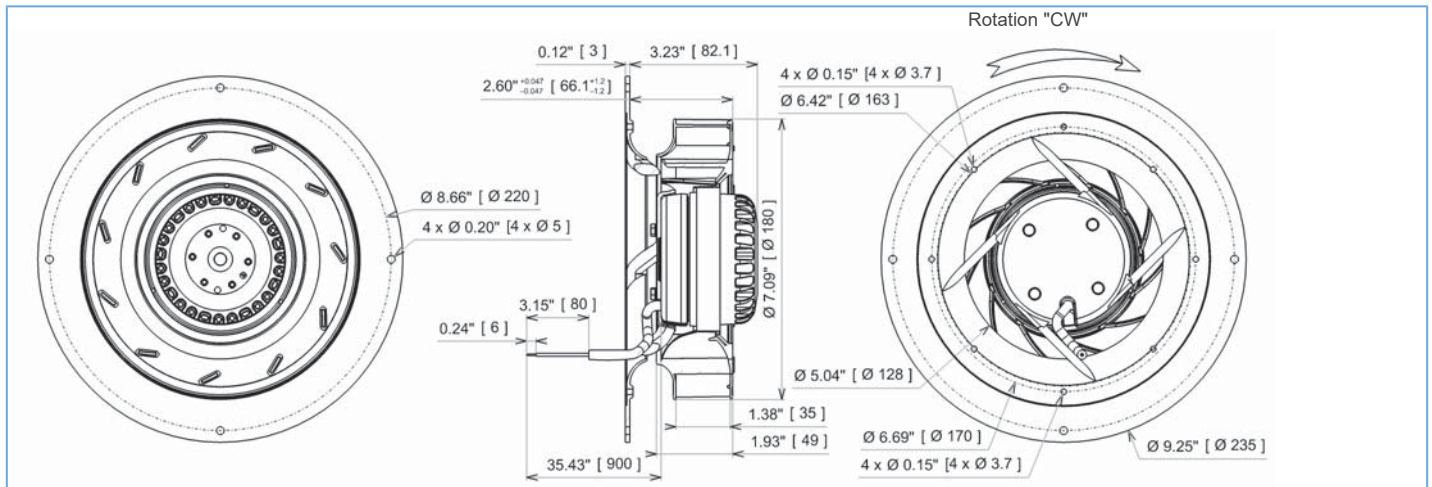
NA : not applicable

ErP 2013

NA

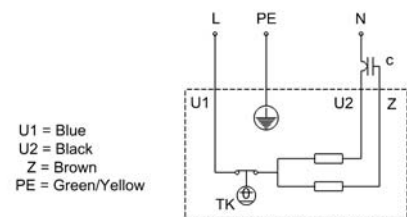
ErP 2015

NA



Description

- .Weight : 1,5 Kg
- .Ball bearing
- .Class F, thermally protected
- .IP44 protection depending on installation and position as per EN60034-5
- .G2.5 balancing
- .Rotor : black paint
- .PA 6/6 UL 94 V-0 plastic impeller
- .Black painted aluminium reversed-inletcone
- .Motor - UL Recognized component



Non contractual document. All specifications are subject to change without prior notice. Picture for information only.



2RREu15 180x35R (115V-Inv) C45-A4 p



DATA SHEET

release. e - Revision 04-2017

Data in accordance to ErP directive

Voltage	115	V
Frequency	50	Hz
Power	0,049	kW ⁽¹⁾
Airflow	245	m ³ /h ⁽¹⁾
Pressure	128	Pa ⁽¹⁾
Rotation speed	2581	RPM ⁽¹⁾

(1) at optimal efficiency point

ErP directive (EU 2009/125/EC) not applicable :
Power at optimum energy efficiency point

Accessories

- 19216
- 19216
- 21366

Measurement setup

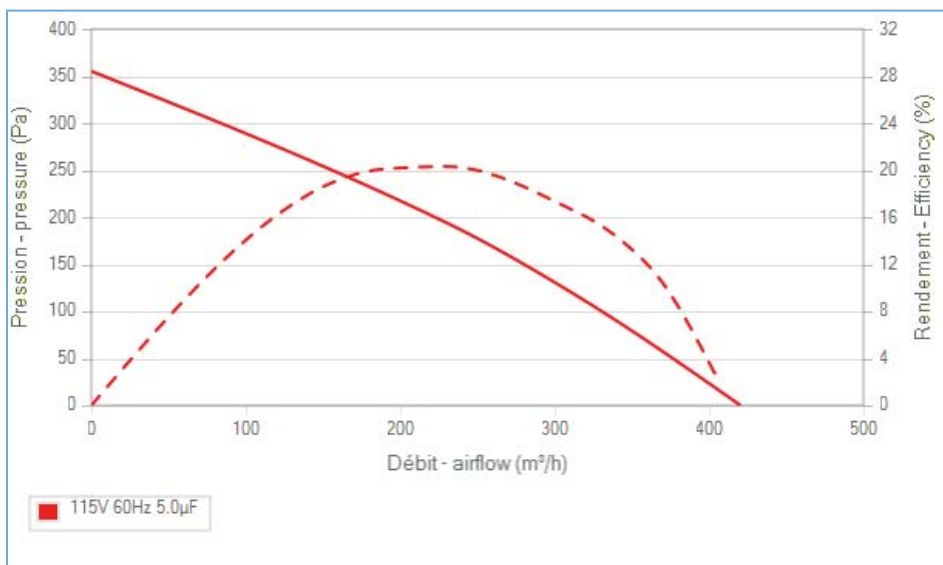
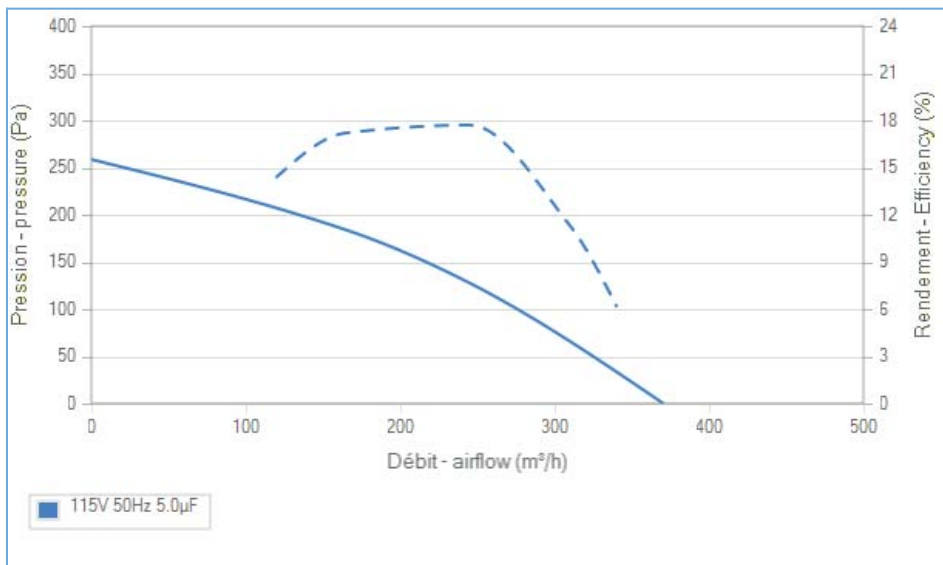
16193 M05-021 Ouie support moteur Ø128inter
Ø235ext moulée Alu NOIRE

Documents

- Manuel d'utilisation
www.ecofit.com/site/normes
- Operating and recycling manual
www.ecofit.com/anglais/normes



UL2111 (XEW2,8)
N° file E135223
2RS915



Non contractual document. All specifications are subject to change without prior notice. Picture for information only.



2RREu15 180x35R (115V-Inv) C45-C8 p



DATA SHEET

release. f - Revision 04-2017

Voltage	Frequency	Input Power	Input Current	Capacitor	Airflow	Rotation speed	Acoustic level	Direction rotation	Admissible Temperature
V	Hz	W	A	µF	m³/h	RPM	dB(A)	↻	Min/Max
115	50	48	0,45	5,0	370	2640	62	R	-40°C / +70°C
115	60	57	0,5	5,0	420	2980	64	R	-40°C / +70°C
115	50				217 CFM				-40°F / 158°F
115	60				247 CFM				-40°F / 158°F



dB(A) : free blowing

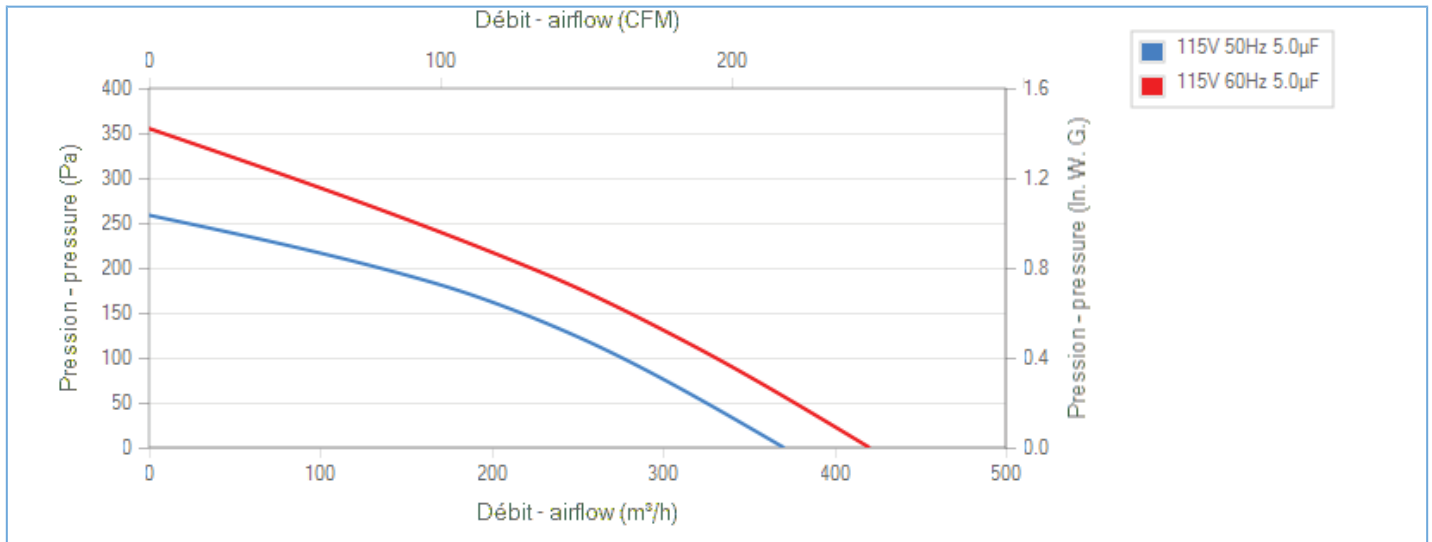
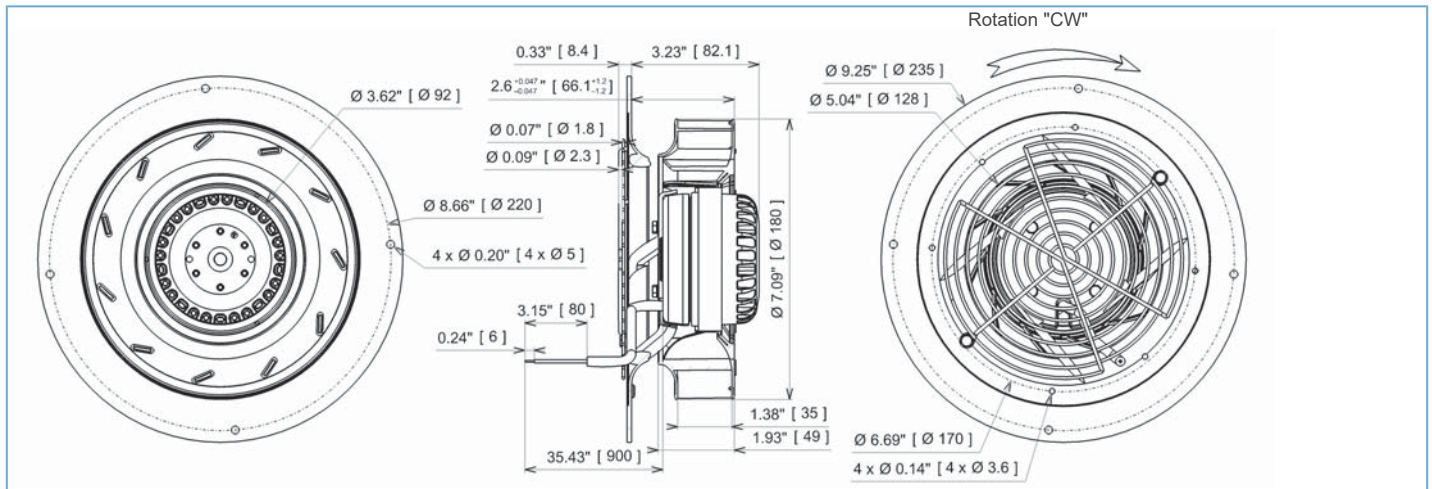
NA : not applicable

ErP 2013

NA

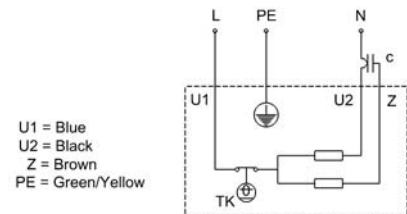
ErP 2015

NA



Description

- .Weight : 1,6 Kg
- .Ball bearing
- .Class F, thermally protected
- .IP44 protection depending on installation and position as per EN60034-5
- .G2.5 balancing
- .Rotor : black paint
- .PA 6/6 UL 94 V-0 plastic impeller
- .Black painted aluminium reversed-inletcone
- .Finger guard
- .Motor - UL Recognized component



Non contractual document. All specifications are subject to change without prior notice. Picture for information only.



2RREu15 180x35R (115V-Inv) C45-C8 p



DATA SHEET

release. f - Revision 04-2017

Data in accordance to ErP directive

Voltage	115	V
Frequency	50	Hz
Power	0,049	kW ⁽¹⁾
Airflow	245	m ³ /h ⁽¹⁾
Pressure	128	Pa ⁽¹⁾
Rotation speed	2581	RPM ⁽¹⁾
⁽¹⁾ at optimal efficiency point		

ErP directive (EU 2009/125/EC) not applicable :
Power at optimum energy efficiency point

Accessories

19216

19216

Measurement setup

16193 M05-021Ouille support moteur Ø128inter
Ø235ext moulée Alu NOIRE

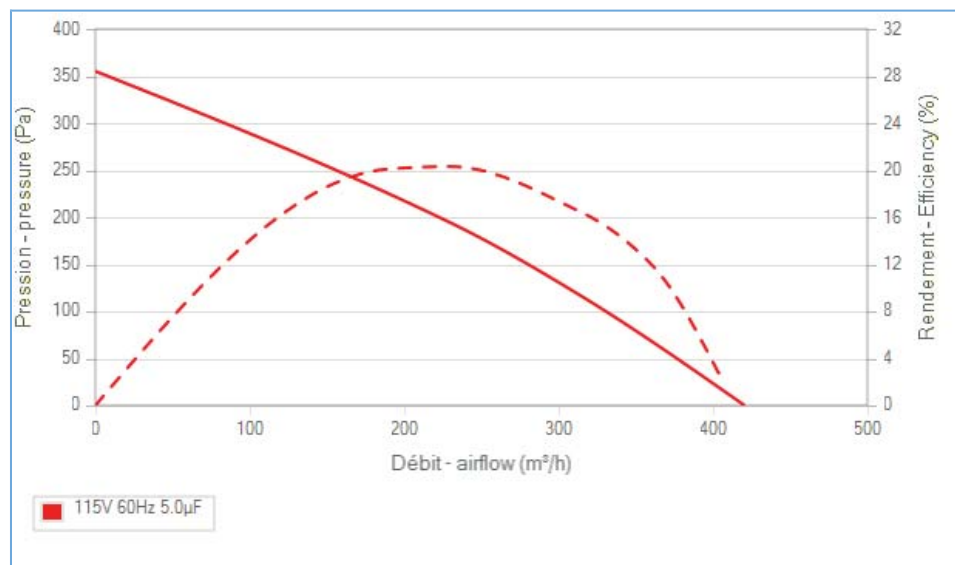
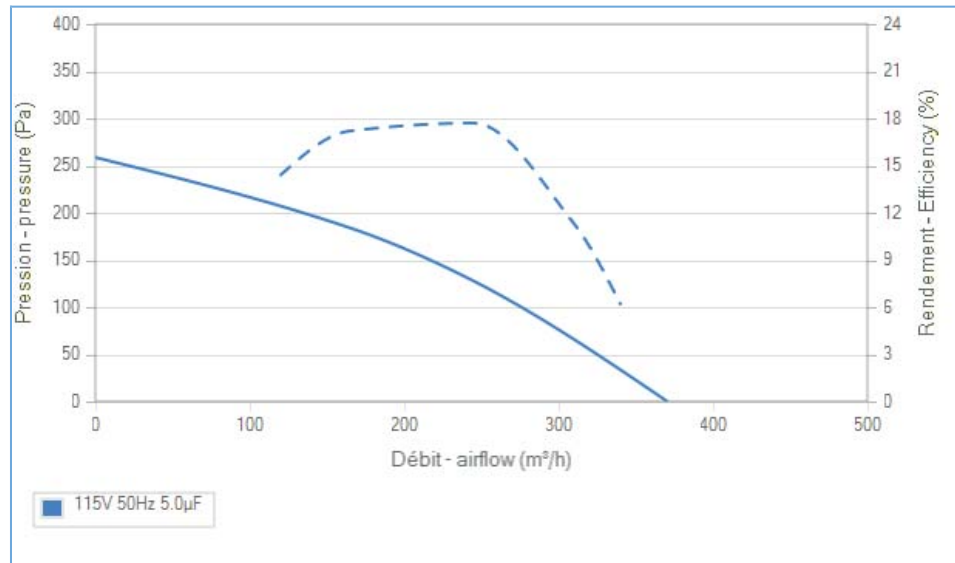
Documents

Manuel d'utilisation
www.ecofit.com/site/normes

Operating and recycling manual
www.ecofit.com/anglais/normes



UL2111 (XEW2,8)
N° file E135223
2RS915



Non contractual document. All specifications are subject to change without prior notice. Picture for information only.



2RREu15 192x40R (Inv)

C36-B3 p



DATA SHEET

release. e - Revision 08-2016

Voltage	Frequency	Input Power	Input Current	Capacitor	Airflow	Rotation speed	Acoustic level	Direction rotation	Admissible Temperature
V	Hz	W	A	μF	m³/h	RPM	dBA		Min/Max
230	50	55	0,24	2,0	460	2405	61	R	-40°C / +70°C
230	60	71	0,32	2,0	485	2580	63	R	-40°C / +70°C
230	50				270 CFM				-40°F / 158°F
230	60				285 CFM				-40°F / 158°F



dBa : free blowing

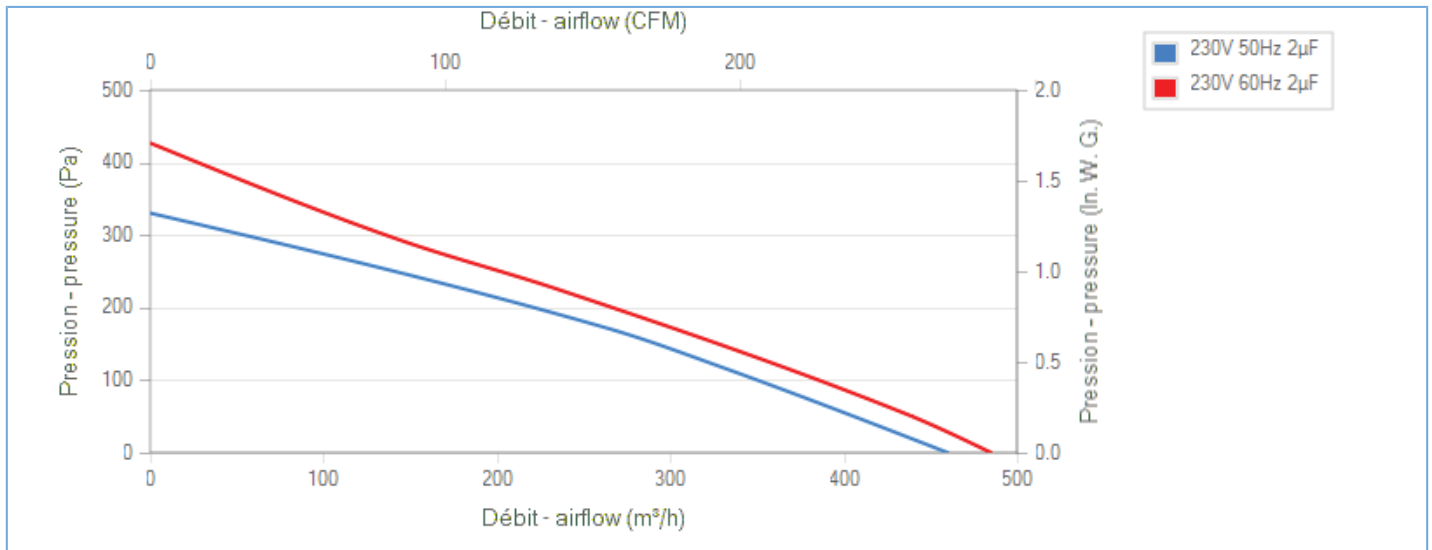
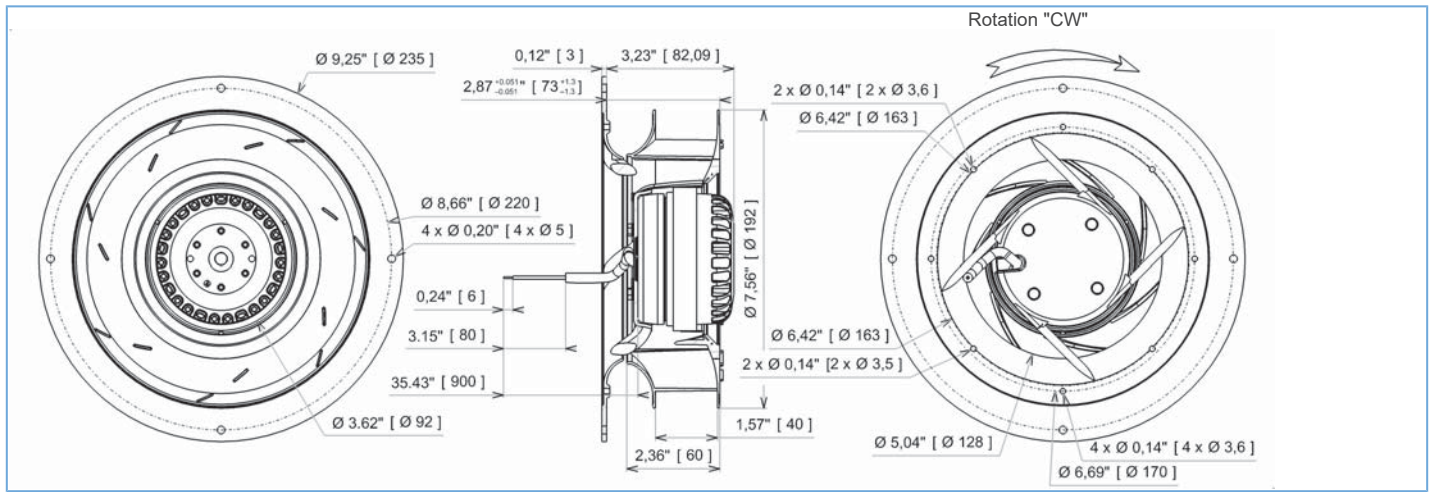
NA : not applicable

ErP 2013

NA

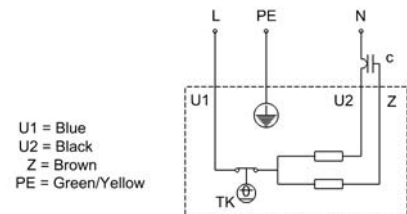
ErP 2015

NA



Description

- .Weight : 1,6 Kg
- .Ball bearing
- .Class F, thermally protected
- .IP44 protection depending on installation and position as per EN60034-5
- .G2.5 balancing
- .Rotor : black paint
- .PP UL 94 V-0 plastic impeller
- .Black painted aluminium reversed-inletcone
- .Motor - UL Recognized component



Non contractual document. All specifications are subject to change without prior notice. Picture for information only.



2RREu15 192x40R (Inv)

C36-B3 p



DATA SHEET

release. e - Revision 08-2016

Data in accordance to ErP directive

Voltage	230	V
Frequency	50	Hz
Power	0,057	kW ⁽¹⁾
Airflow	225	m ³ /h ⁽¹⁾
Pressure	197	Pa ⁽¹⁾
Rotation speed	2333	RPM ⁽¹⁾

(1) at optimal efficiency point

ErP directive (EU 2009/125/EC) not applicable :
Power at optimum energy efficiency point

Accessories

19217

19217

21366

Measurement setup

16193 M05-021Ouille support moteur Ø128inter
Ø235ext moulée Alu NOIRE

Documents

Manuel d'utilisation
www.ecofit.com/site/normes

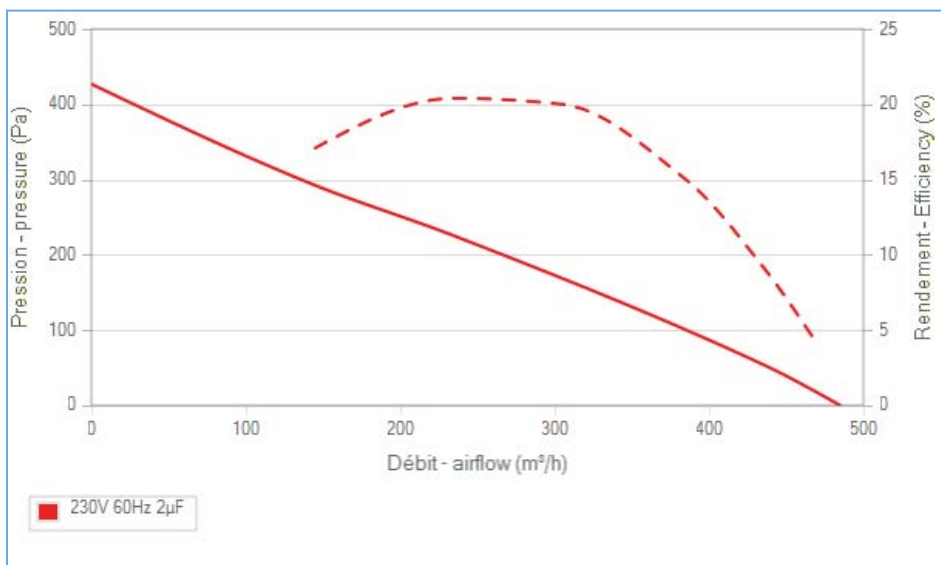
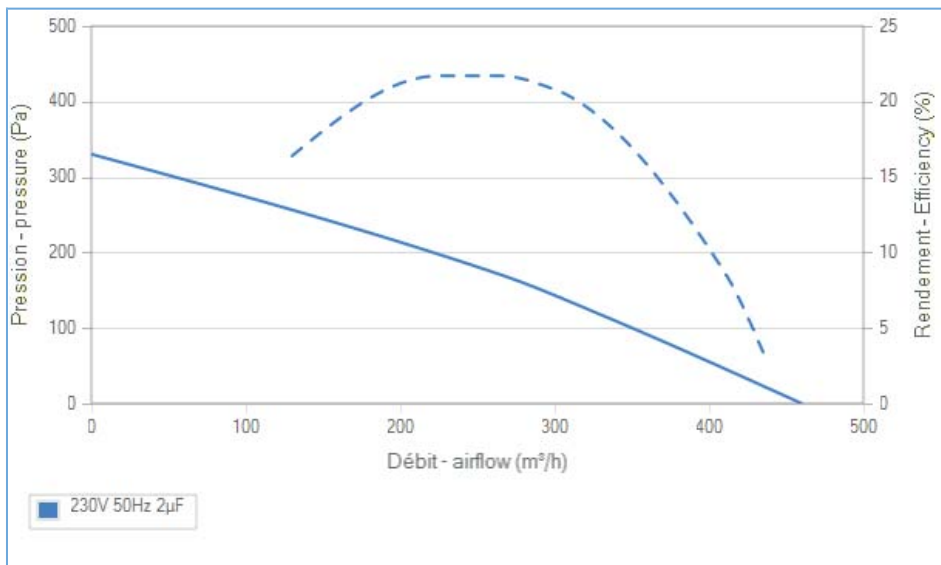
Operating and recycling manual
www.ecofit.com/anglais/normes



UL2111 (XEW2,8)
N° file E135223
2RS915



A041865
2RS915CN



Non contractual document. All specifications are subject to change without prior notice. Picture for information only.



2RREu15 192x40R (Inv)

C41-B0 p



DATA SHEET

release. e - Revision 09-2016

Voltage	Frequency	Input Power	Input Current	Capacitor	Airflow	Rotation speed	Acoustic level	Direction rotation	Admissible Temperature
V	Hz	W	A	μF	m³/h	RPM	dBA	↻	Min/Max
230	50	55	0,24	2,0	460	2405	61	R	-40°C / +70°C
230	60	71	0,32	2,0	485	2580	63	R	-40°C / +70°C
230	50				270 CFM				-40°F / 158°F
230	60				285 CFM				-40°F / 158°F



dBa : free blowing

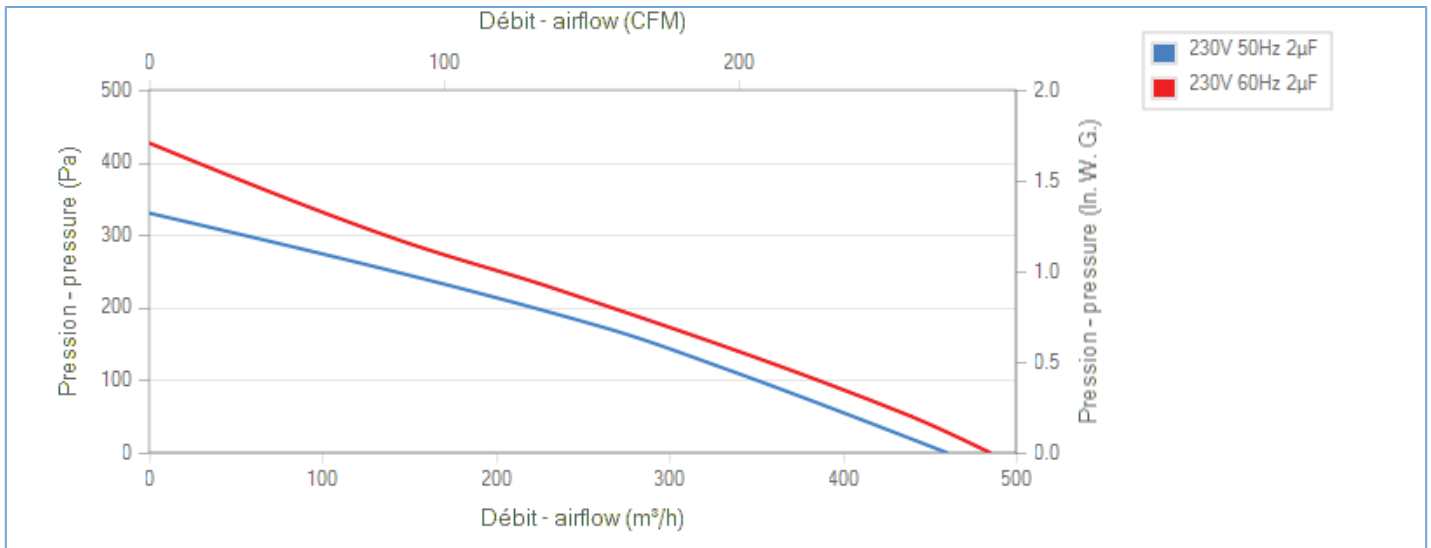
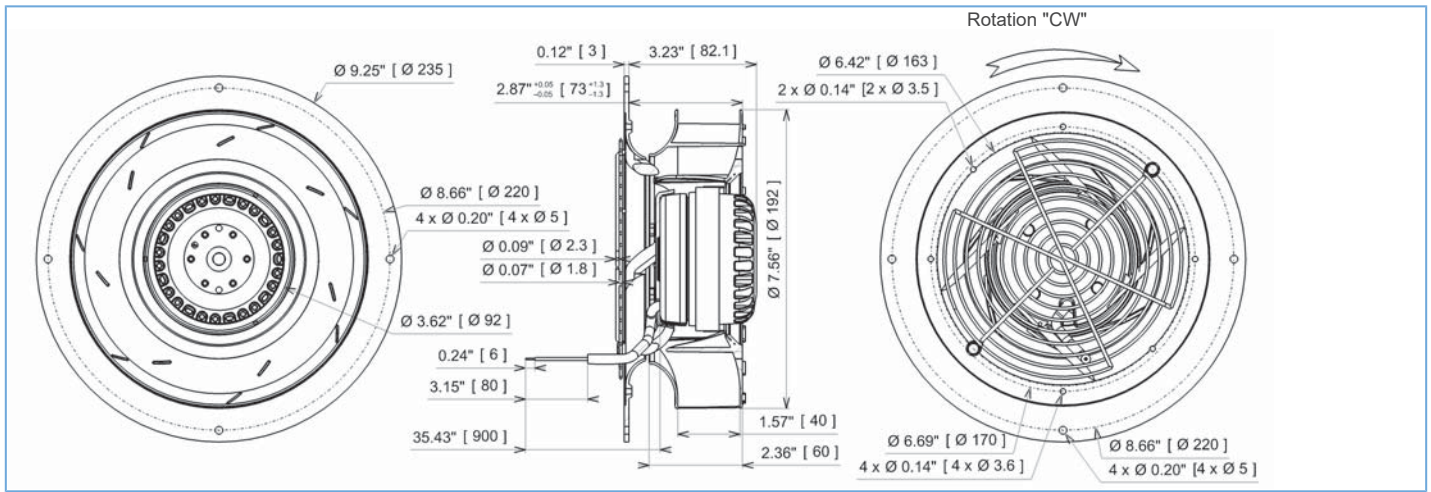
NA : not applicable

ErP 2013

NA

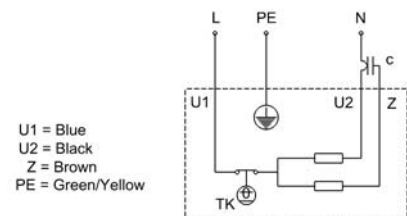
ErP 2015

NA



Description

- .Weight : 1,7 Kg
- .Ball bearing
- .Class F, thermally protected
- .IP44 protection depending on installation and position as per EN60034-5
- .G2.5 balancing
- .Rotor : black paint
- .PP UL 94 V-0 plastic impeller
- .Black painted aluminium reversed-inletcone
- .Finger guard
- .Motor - UL Recognized component



Non contractual document. All specifications are subject to change without prior notice. Picture for information only.



2RREu15 192x40R (Inv)

C41-B0 p



DATA SHEET

release. e - Revision 09-2016

Data in accordance to ErP directive

Voltage	230	V
Frequency	50	Hz
Power	0,057	kW ⁽¹⁾
Airflow	225	m ³ /h ⁽¹⁾
Pressure	197	Pa ⁽¹⁾
Rotation speed	2333	RPM ⁽¹⁾

(1) at optimal efficiency point

ErP directive (EU 2009/125/EC) not applicable :
Power at optimum energy efficiency point

Accessories

19217

19217

Measurement setup

16193 M05-021Oue support moteur Ø128inter
Ø235ext moulée Alu NOIRE

Documents

Manuel d'utilisation
www.ecofit.com/site/normes

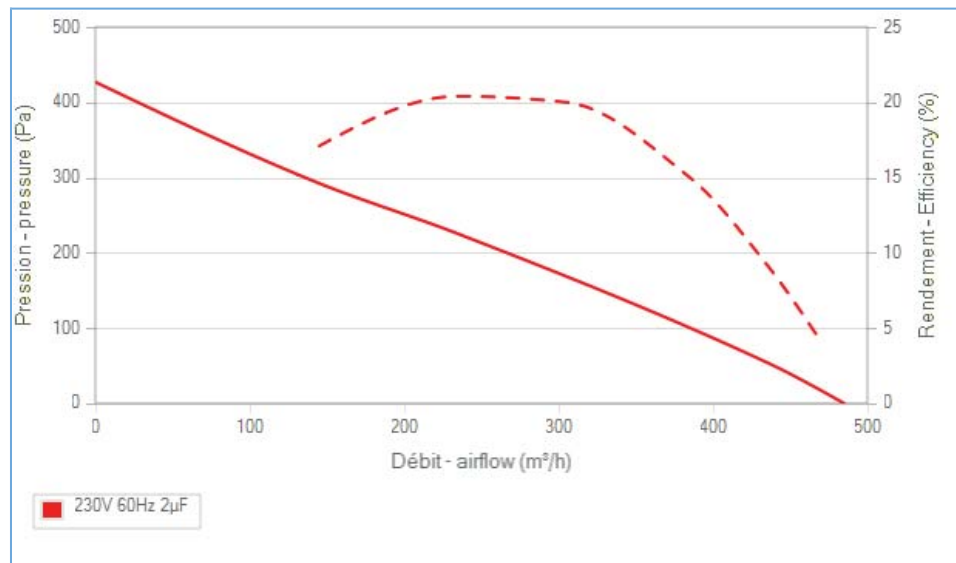
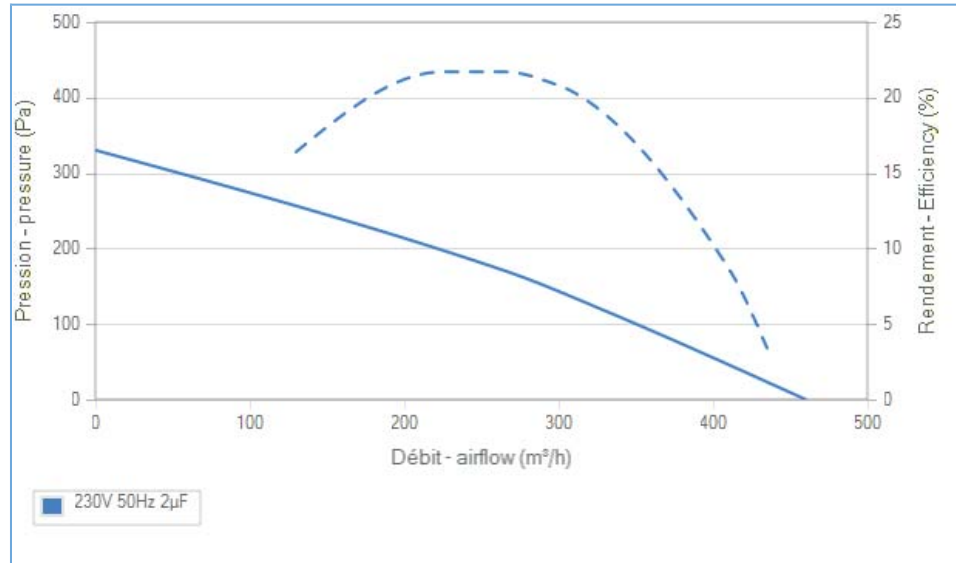
Operating and recycling manual
www.ecofit.com/anglais/normes



UL2111 (XEW2,8)
N° file E135223
2RS915



A041865
2RS915CN



Non contractual document. All specifications are subject to change without prior notice. Picture for information only.



2RREu15 192x40R (115V-Inv) C45-A5 p



DATA SHEET

release. d - Revision 07-2016

Voltage	Frequency	Input Power	Input Current	Capacitor	Airflow	Rotation speed	Acoustic level	Direction rotation	Admissible Temperature
V	Hz	W	A	µF	m³/h	RPM	dBA		Min/Max
115	50	57	0,51	6,0	425	2455	60	R	-40°C / +70°C
115	60	71	0,62	6,0	460	2685	63	R	-40°C / +70°C
115	50				250 CFM				-40°F / 158°F
115	60				270 CFM				-40°F / 158°F



dBa : free blowing

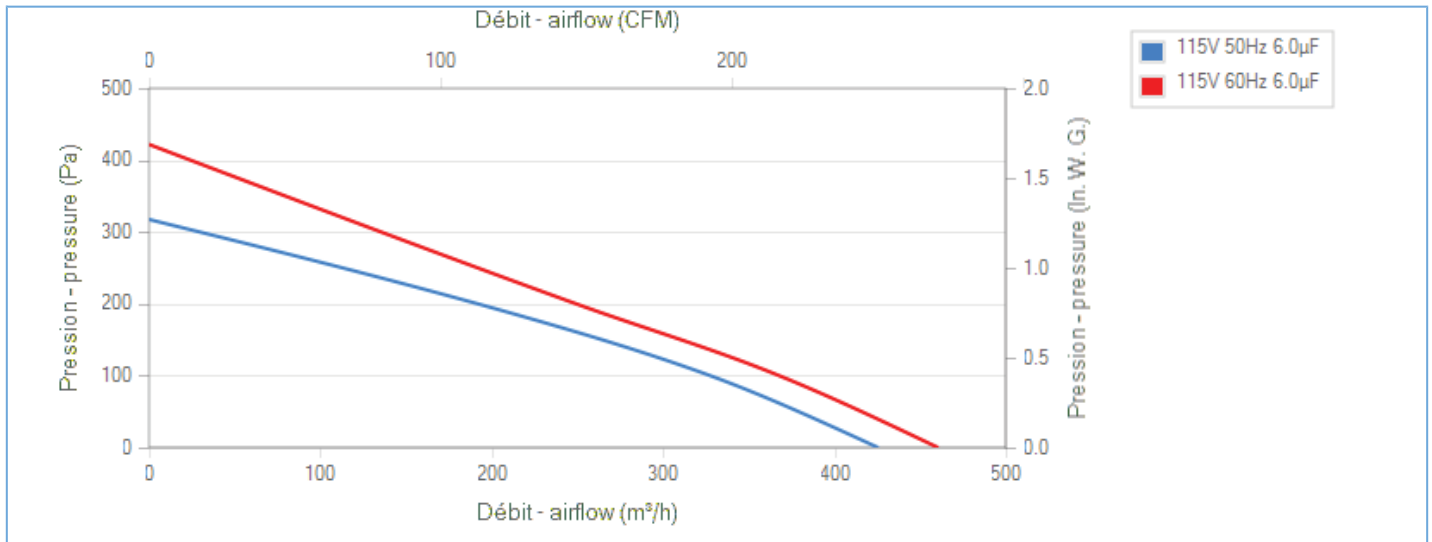
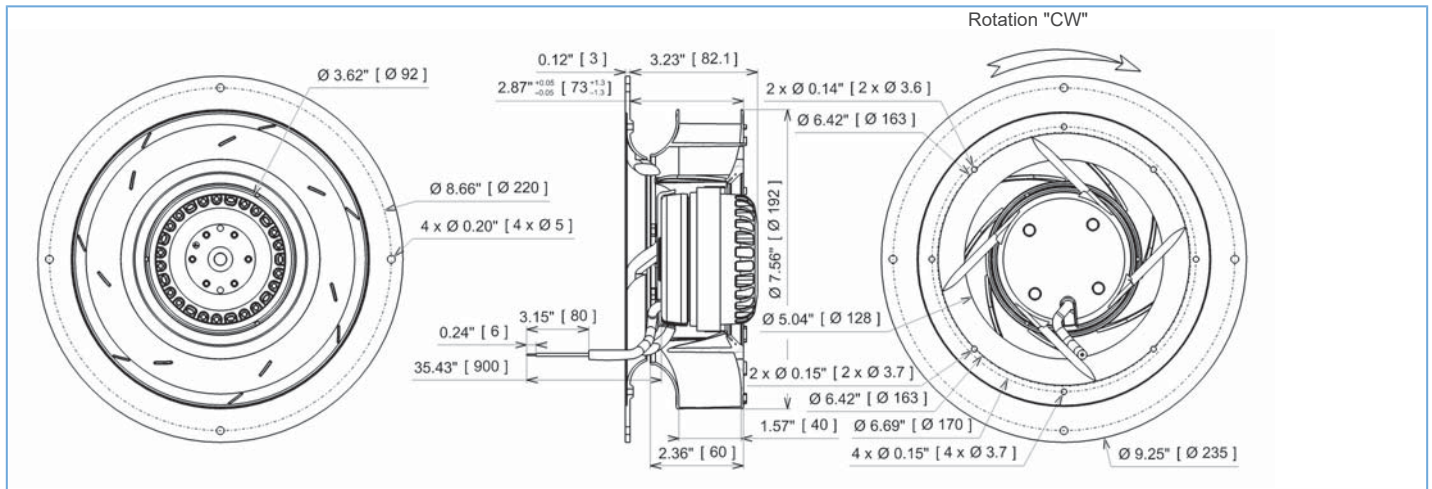
NA : not applicable

ErP 2013

NA

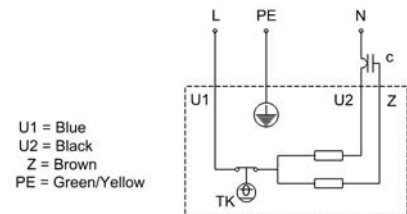
ErP 2015

NA



Description

- .Weight : 1,6 Kg
- .Ball bearing
- .Class F, thermally protected
- .IP44 protection depending on installation and position as per EN60034-5
- .G2.5 balancing
- .Rotor : black paint
- .PP UL 94 V-0 plastic impeller
- .Black painted aluminium reversed-inletcone
- .Motor - UL Recognized component



Non contractual document. All specifications are subject to change without prior notice. Picture for information only.



2RREu15 192x40R (115V-Inv) C45-A5 p



DATA SHEET

release. d - Revision 07-2016

Data in accordance to ErP directive

Voltage	115	V
Frequency	50	Hz
Power	0,058	kW ⁽¹⁾
Airflow	215	m ³ /h ⁽¹⁾
Pressure	184,5	Pa ⁽¹⁾
Rotation speed	2409	RPM ⁽¹⁾

(1) at optimal efficiency point

ErP directive (EU 2009/125/EC) not applicable :
Power at optimum energy efficiency point

Accessories

- 19221
- 19221
- 21366

Measurement setup

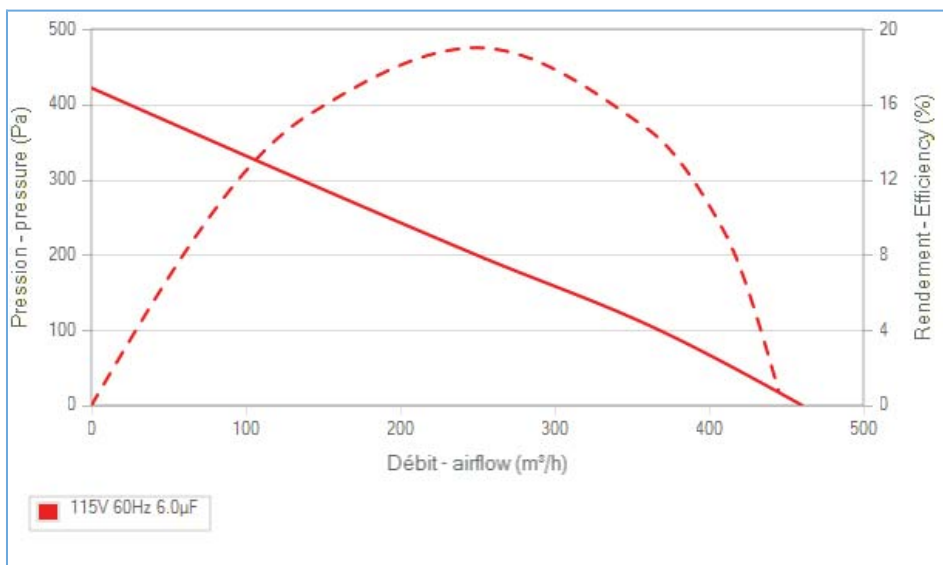
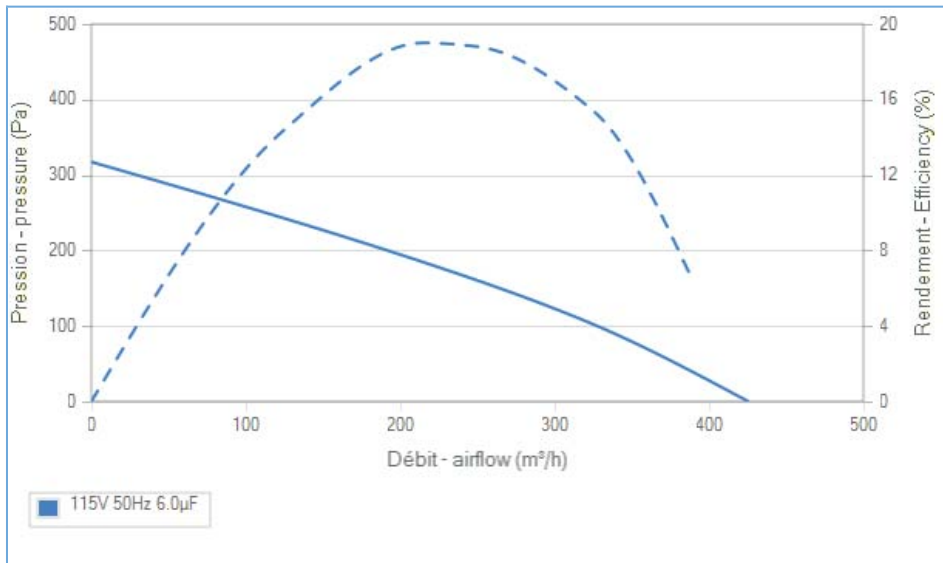
16193 M05-021 Outil support moteur Ø128inter
Ø235ext moulée Alu NOIRE

Documents

- Manuel d'utilisation
www.ecofit.com/site/normes
- Operating and recycling manual
www.ecofit.com/anglais/normes



UL2111 (XEWR2,8)
N° file E135223
2RS915



Non contractual document. All specifications are subject to change without prior notice. Picture for information only.



2RREu15 192x40R (115V-Inv) C45-C9 p



DATA SHEET

release. e - Revision 07-2016

Voltage	Frequency	Input Power	Input Current	Capacitor	Airflow	Rotation speed	Acoustic level	Direction rotation	Admissible Temperature
V	Hz	W	A	µF	m³/h	RPM	dBA	↻	Min/Max
115	50	57	0,51	6,0	425	2455	60	R	-40°C / +70°C
115	60	71	0,62	6,0	460	2685	63	R	-40°C / +70°C
115	50				250 CFM				-40°F / 158°F
115	60				270 CFM				-40°F / 158°F



dBa : free blowing

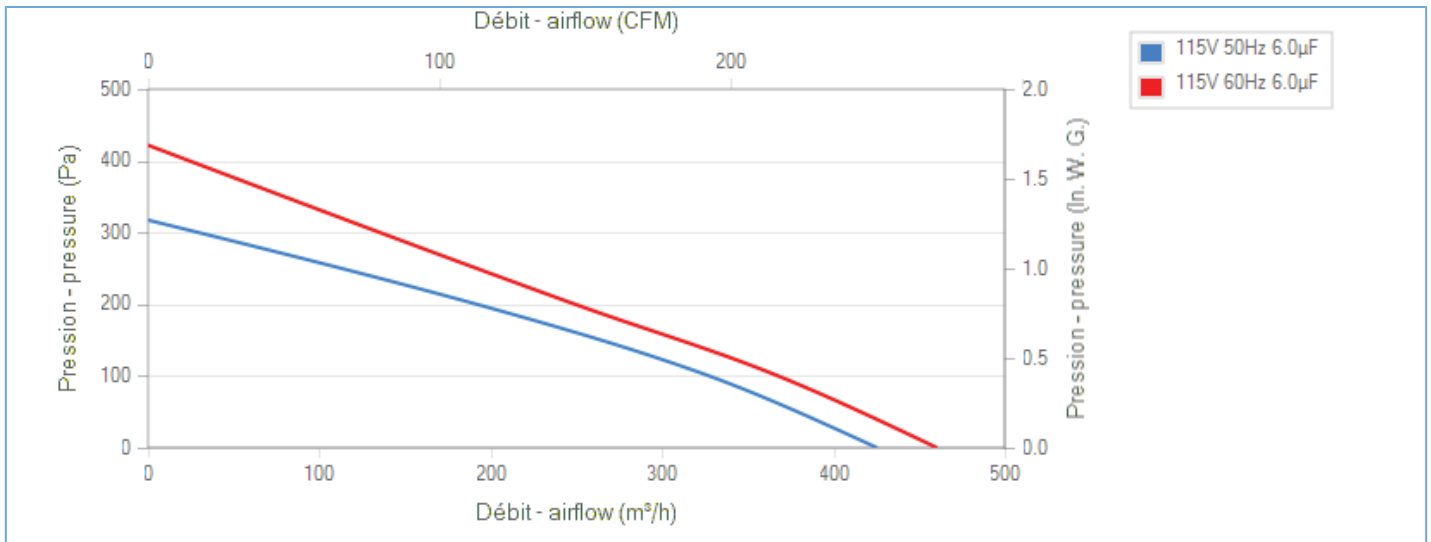
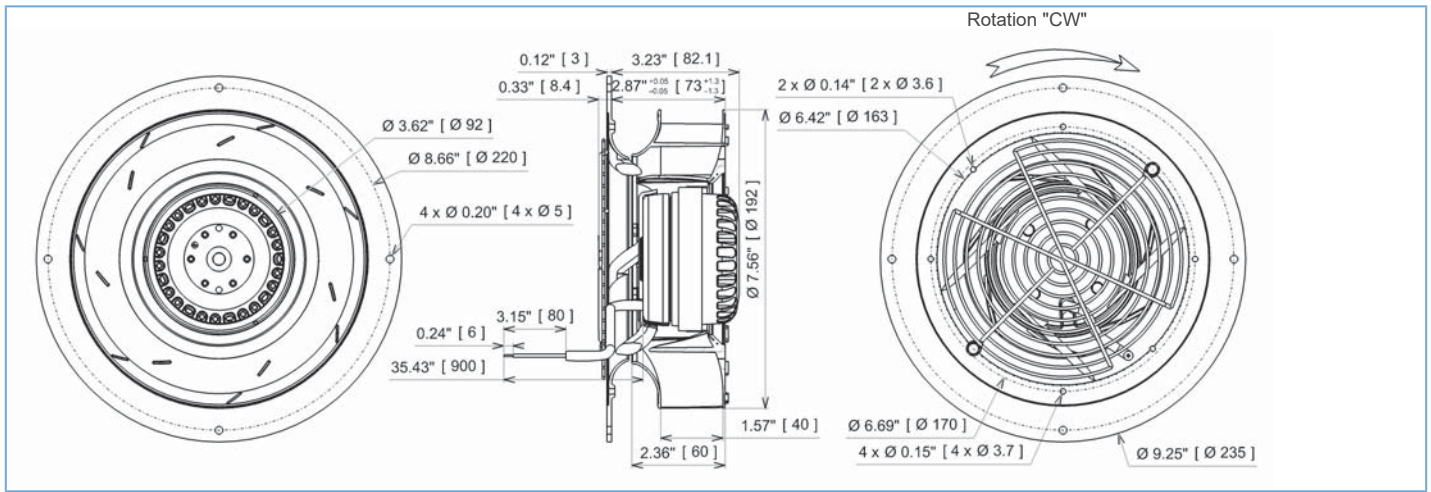
NA : not applicable

ErP 2013

NA

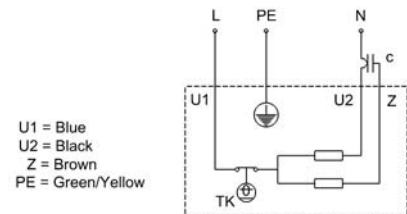
ErP 2015

NA



Description

- .Weight : 1,7 Kg
- .Ball bearing
- .Class F, thermally protected
- .IP44 protection depending on installation and position as per EN60034-5
- .G2.5 balancing
- .Rotor : black paint
- .PP UL 94 V-0 plastic impeller
- .Black painted aluminium reversed-inletcone
- .Finger guard
- .Motor - UL Recognized component



Non contractual document. All specifications are subject to change without prior notice. Picture for information only.



2RREu15 192x40R (115V-Inv) C45-C9 p



DATA SHEET

release. e - Revision 07-2016

Data in accordance to ErP directive

Voltage	115	V
Frequency	50	Hz
Power	0,058	kW ⁽¹⁾
Airflow	215	m ³ /h ⁽¹⁾
Pressure	184,5	Pa ⁽¹⁾
Rotation speed	2409	RPM ⁽¹⁾

(1) at optimal efficiency point

ErP directive (EU 2009/125/EC) not applicable :
Power at optimum energy efficiency point

Accessories

19221

19221

Measurement setup

16193 M05-021Ouille support moteur Ø128inter
Ø235ext moulée Alu NOIRE

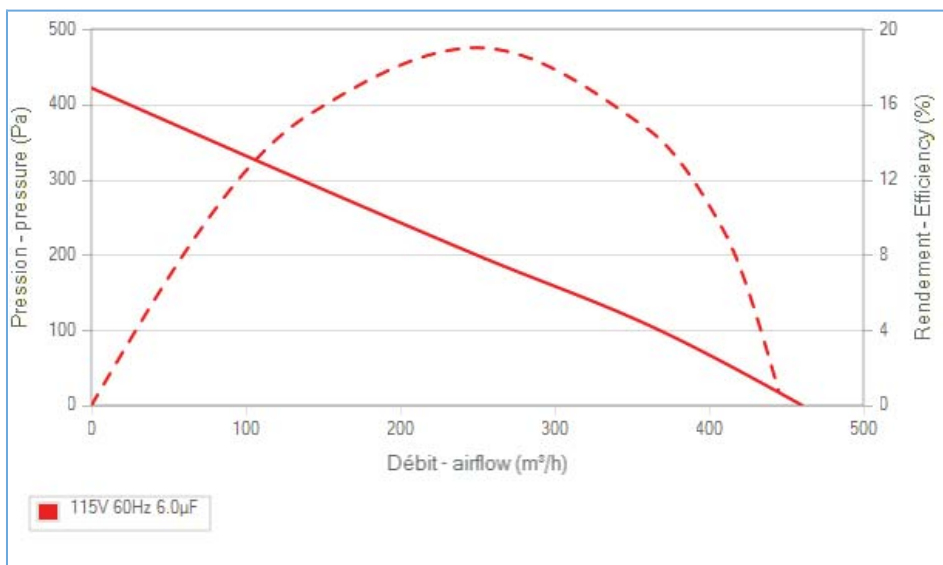
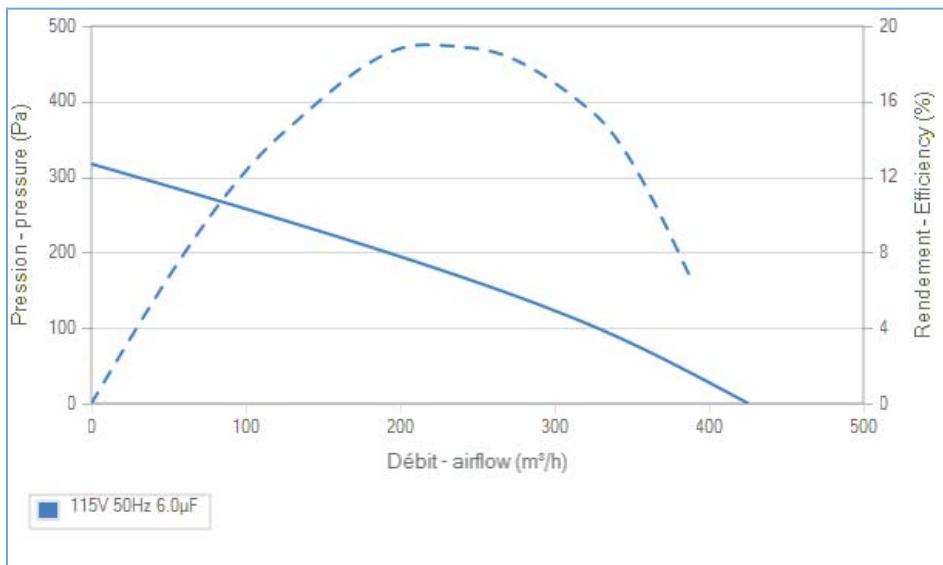
Documents

Manuel d'utilisation
www.ecofit.com/site/normes

Operating and recycling manual
www.ecofit.com/anglais/normes



UL2111 (XEW2,8)
N° file E135223
2RS915



Non contractual document. All specifications are subject to change without prior notice. Picture for information only.



2RREu25 220x45R (Inv)

C36-B4 p



DATA SHEET

release. h - Revision 07-2016

Voltage	Frequency	Input Power	Input Current	Capacitor	Airflow	Rotation speed	Acoustic level	Direction rotation	Admissible Temperature
V	Hz	W	A	µF	m³/h	RPM	dBA	↻	Min/Max
230	50	90	0,44	3,0	790	2710	70	R	-40°C / +70°C
230	60	115	0,51	3,0	910	3085	73	R	-40°C / +70°C
230	50				465 CFM				-40°F / 158°F
230	60				535 CFM				-40°F / 158°F



dBa : free blowing

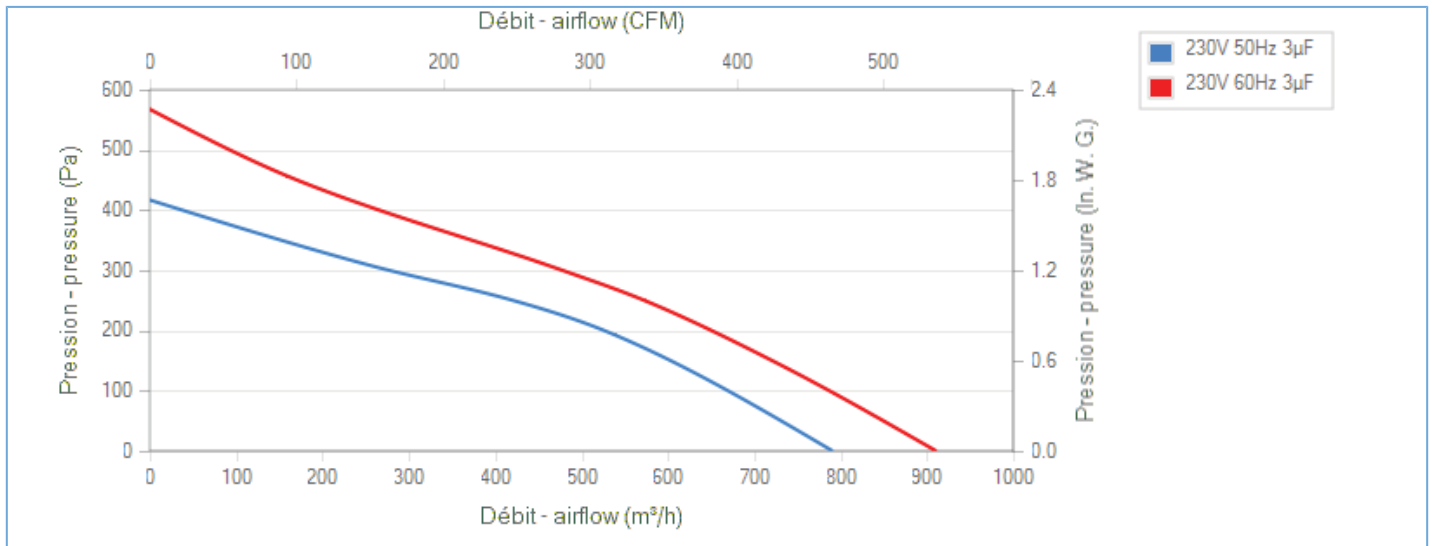
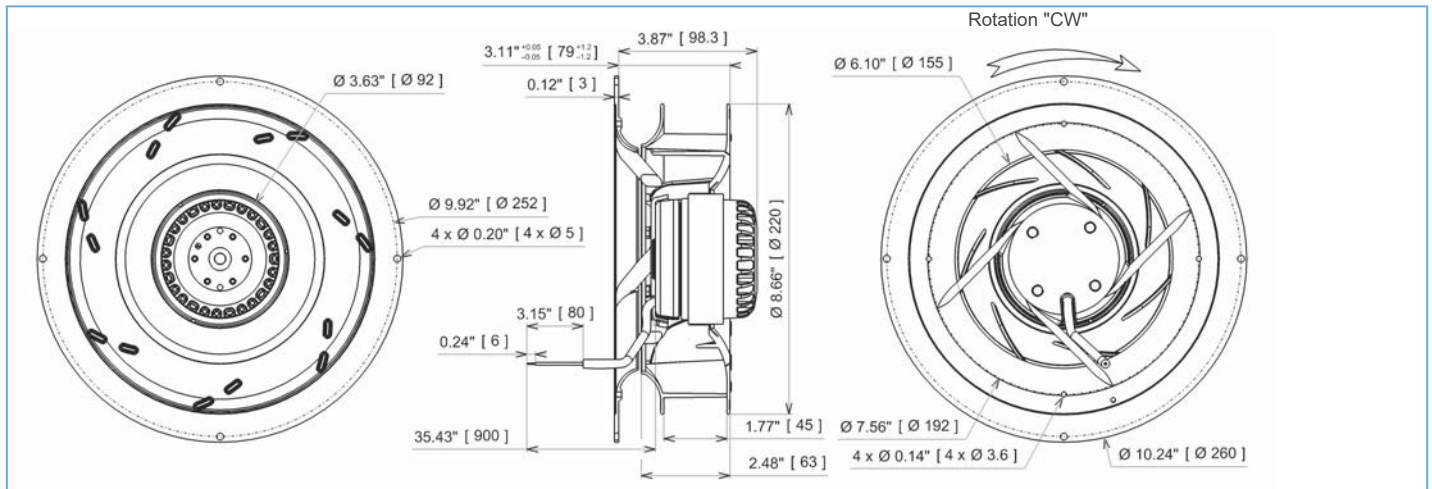
NA : not applicable

ErP 2013

NA

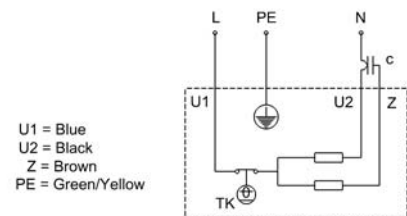
ErP 2015

NA



Description

- .Weight : 2,4 Kg
- .Ball bearing
- .Class F, thermally protected
- .IP44 protection depending on installation and position as per EN60034-5
- .G2.5 balancing
- .PA 6/6 UL 94 V-0 plastic impeller
- .Rotor : black paint
- .Black painted aluminium reversed-inletcone
- .Motor - UL Recognized component





2RREu25 220x45R (Inv)

C36-B4 p



DATA SHEET

release. h - Revision 07-2016

Data in accordance to ErP directive

Voltage	230	V
Frequency	50	Hz
Power	0,105	kW ⁽¹⁾
Airflow	527	m ³ /h ⁽¹⁾
Pressure	200	Pa ⁽¹⁾
Rotation speed	2601	RPM ⁽¹⁾

(1) at optimal efficiency point

ErP directive (EU 2009/125/EC) not applicable :
Power at optimum energy efficiency point

Accessories

- 19219
- 19219
- 21194

Measurement setup

16133 Ouie OJ150 Galva

Documents

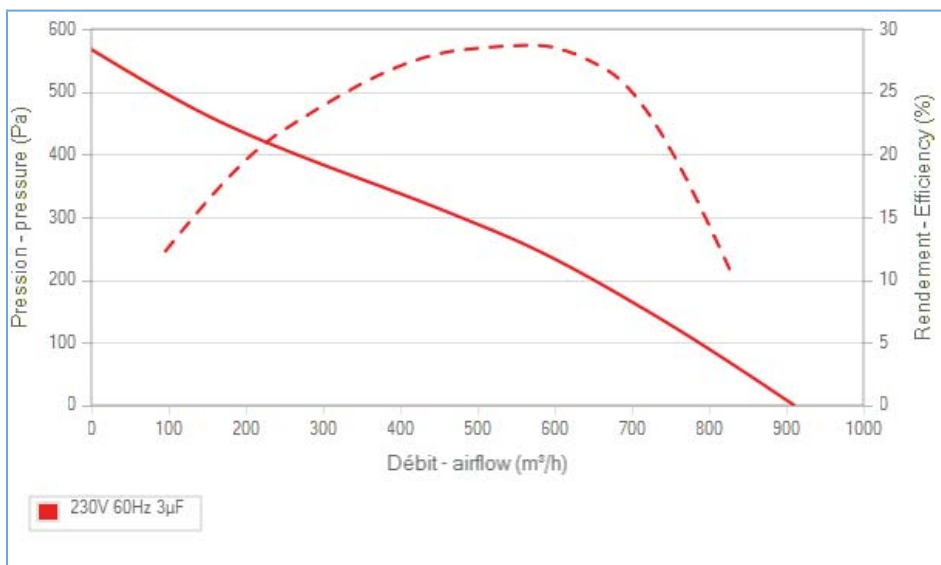
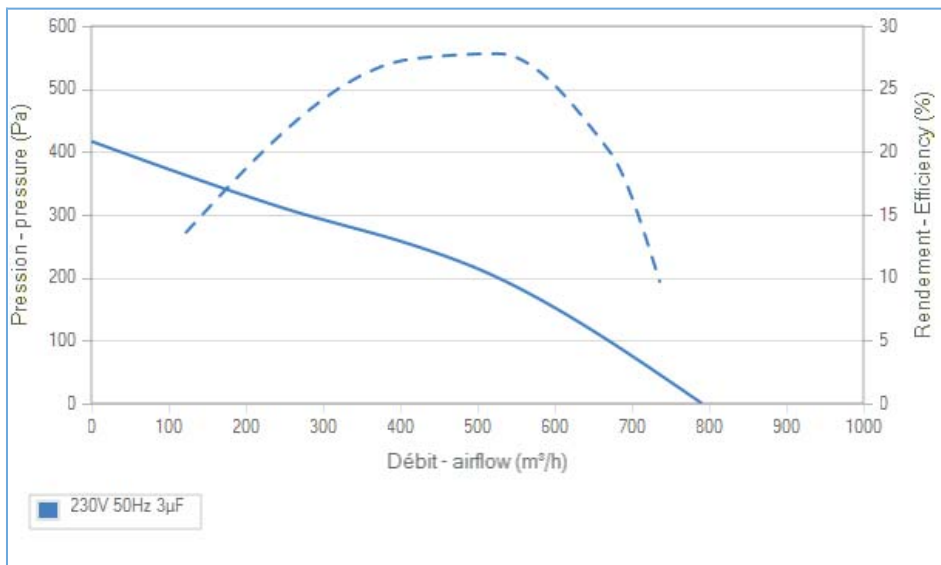
- Manuel d'utilisation
www.ecofit.com/site/normes
- Operating and recycling manual
www.ecofit.com/anglais/normes



UL2111 (XEW2,8)
N° file E135223
2RS925



A041865
2RS925CN



Non contractual document. All specifications are subject to change without prior notice. Picture for information only.



2RREu25 220x45R (Inv)

C41-B1 p



DATA SHEET

release. h - Revision 07-2016

Voltage	Frequency	Input Power	Input Current	Capacitor	Airflow	Rotation speed	Acoustic level	Direction rotation	Admissible Temperature
V	Hz	W	A	µF	m³/h	RPM	dBA	↻	Min/Max
230	50	90	0,44	3,0	790	2710	70	R	-40°C / +70°C
230	60	115	0,51	3,0	910	3085	73	R	-40°C / +70°C
230	50				465 CFM				-40°F / 158°F
230	60				535 CFM				-40°F / 158°F



dBA : free blowing

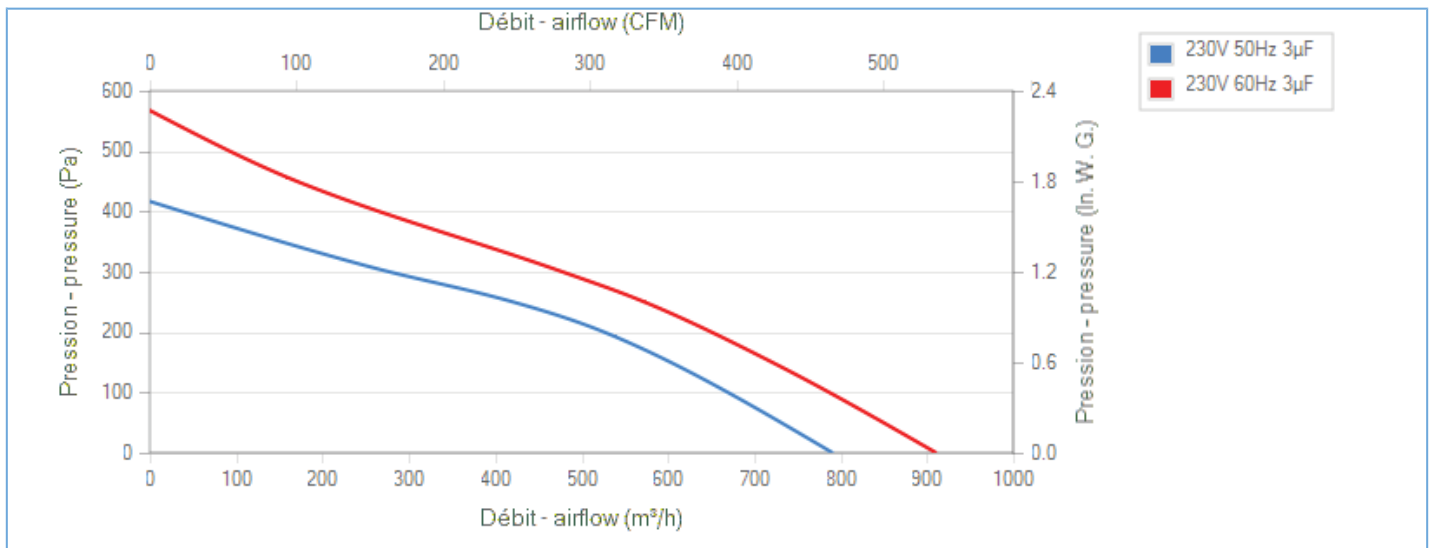
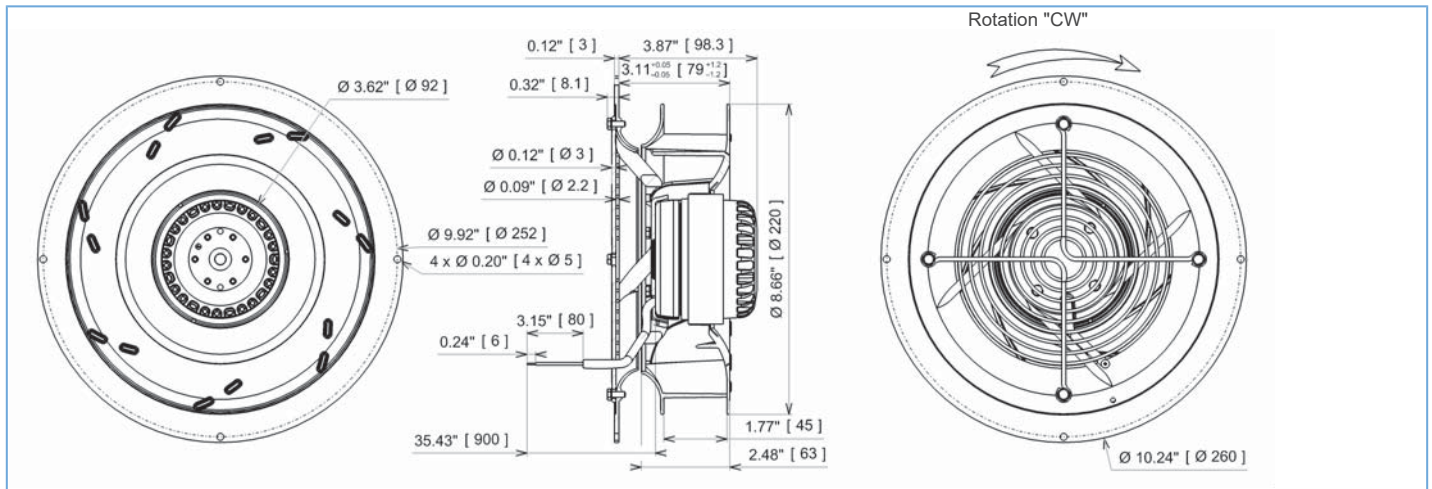
NA : not applicable

ErP 2013

NA

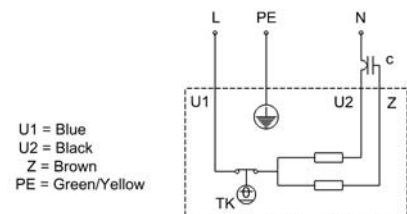
ErP 2015

NA



Description

- .Weight : 2,4 Kg
- .Ball bearing
- .Class F, thermally protected
- .IP44 protection depending on installation and position as per EN60034-5
- .G2.5 balancing
- .PA 6/6 UL 94 V-0 plastic impeller
- .Rotor : black paint
- .Black painted aluminium reversed-inletcone
- .Finger guard
- .Motor - UL Recognized component



Non contractual document. All specifications are subject to change without prior notice. Picture for information only.



2RREu25 220x45R (Inv)

C41-B1 p



DATA SHEET

release. h - Revision 07-2016

Data in accordance to ErP directive

Voltage	230	V
Frequency	50	Hz
Power	0,105	kW ⁽¹⁾
Airflow	527	m ³ /h ⁽¹⁾
Pressure	200	Pa ⁽¹⁾
Rotation speed	2601	RPM ⁽¹⁾

(1) at optimal efficiency point

ErP directive (EU 2009/125/EC) not applicable :
Power at optimum energy efficiency point

Accessories

19219

19219

Measurement setup

16133 Ouie OJ150 Galva

Documents

Manuel d'utilisation
www.ecofit.com/site/normes

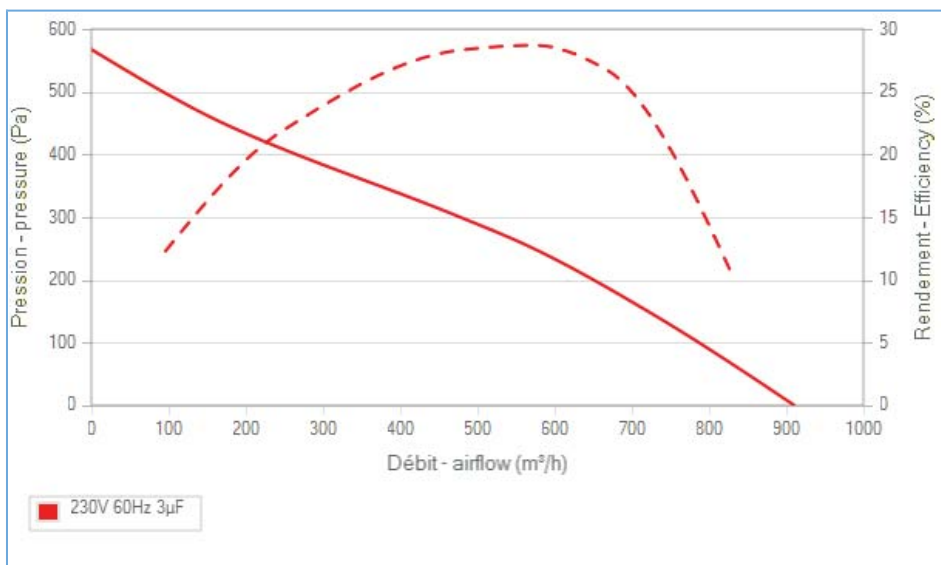
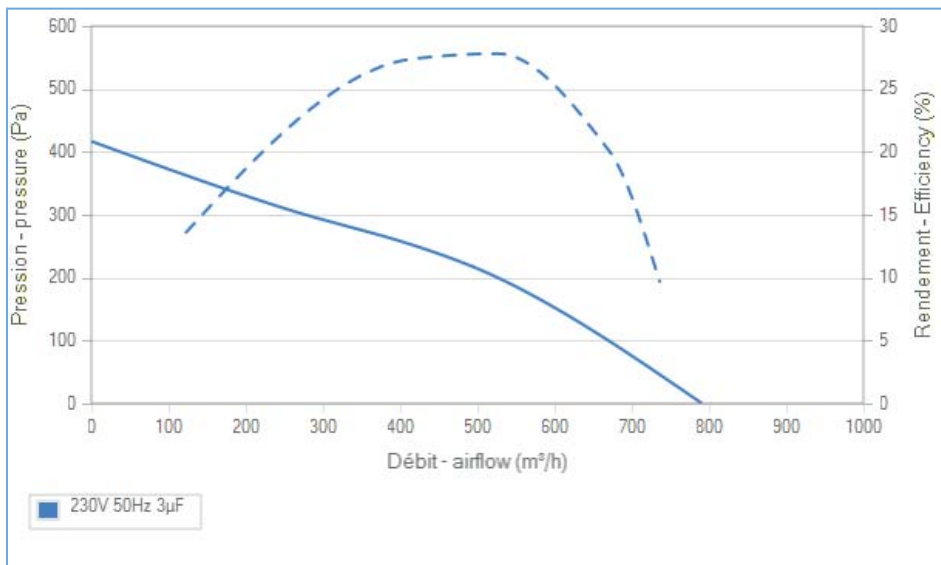
Operating and recycling manual
www.ecofit.com/anglais/normes



UL2111 (XEWR2,8)
N° file E135223
2RS925



A041865
2RS925CN



Non contractual document. All specifications are subject to change without prior notice. Picture for information only.



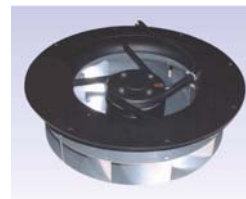
2RREu25 220x45R (115V-Inv) C45-A6 p



DATA SHEET

release. g - Revision 11-2015

Voltage	Frequency	Input Power	Input Current	Capacitor	Airflow	Rotation speed	Acoustic level	Direction rotation	Admissible Temperature
V	Hz	W	A	µF	m³/h	RPM	dBA	↻	Min/Max
115	50	100	0,88	10,0	885	2620	67	R	-40°C / +70°C
115	60	144	1,26	10,0	940	2810	69	R	-40°C / +70°C
115	50				520 CFM				-40°F / 158°F
115	60				553 CFM				-40°F / 158°F



dBa : free blowing

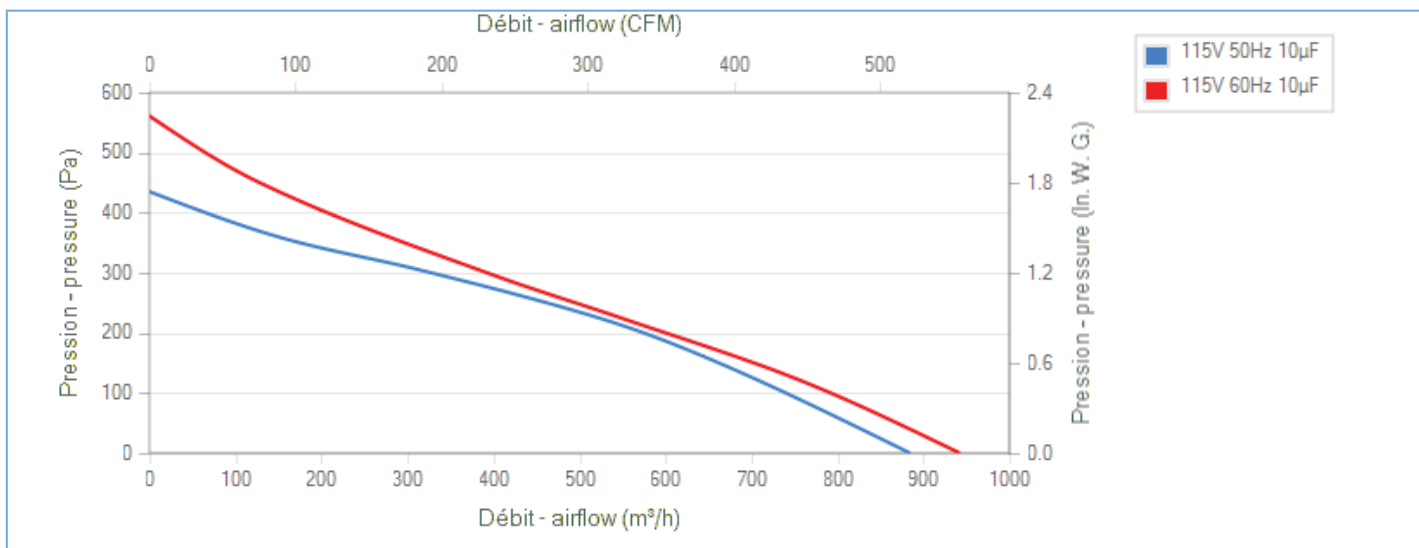
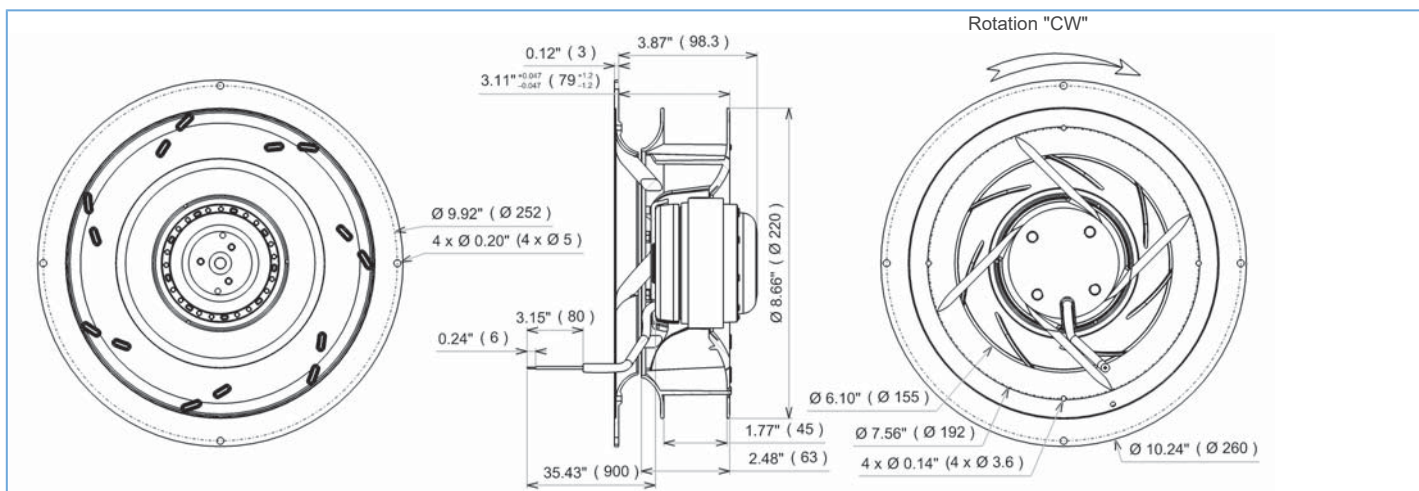
NA : not applicable

ErP 2013

NA

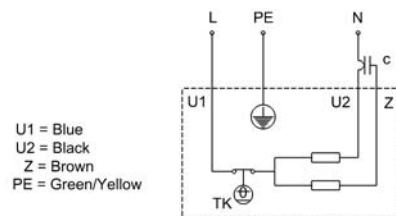
ErP 2015

NA



Description

- .Weight : 2,4 Kg
- .Ball bearing
- .Insulation Class F
- .IP44 protection depending on installation and position as per EN60034-5
- .G2.5 balancing
- .PA 6/6 UL 94 V-0 plastic impeller
- .Rotor : black paint
- .Black painted aluminium reversed-inletcone
- .Motor - UL Recognized component



Non contractual document. All specifications are subject to change without prior notice. Picture for information only.



2RREu25 220x45R (115V-Inv) C45-A6 p



DATA SHEET

release. g - Revision 11-2015

Data in accordance to ErP directive

Voltage	115	V
Frequency	50	Hz
Power	0,114	kW ⁽¹⁾
Airflow	521	m ³ /h ⁽¹⁾
Pressure	226	Pa ⁽¹⁾
Rotation speed	2504	RPM ⁽¹⁾

(1) at optimal efficiency point

ErP directive (EU 2009/125/EC) not applicable :
Power at optimum energy efficiency point

Accessories

- 19223
- 19223
- 21194

Measurement setup

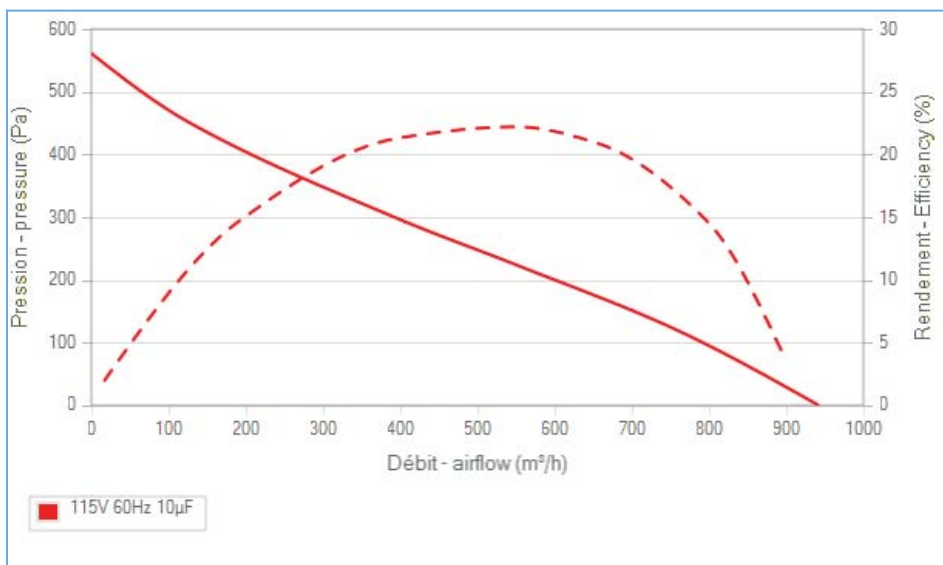
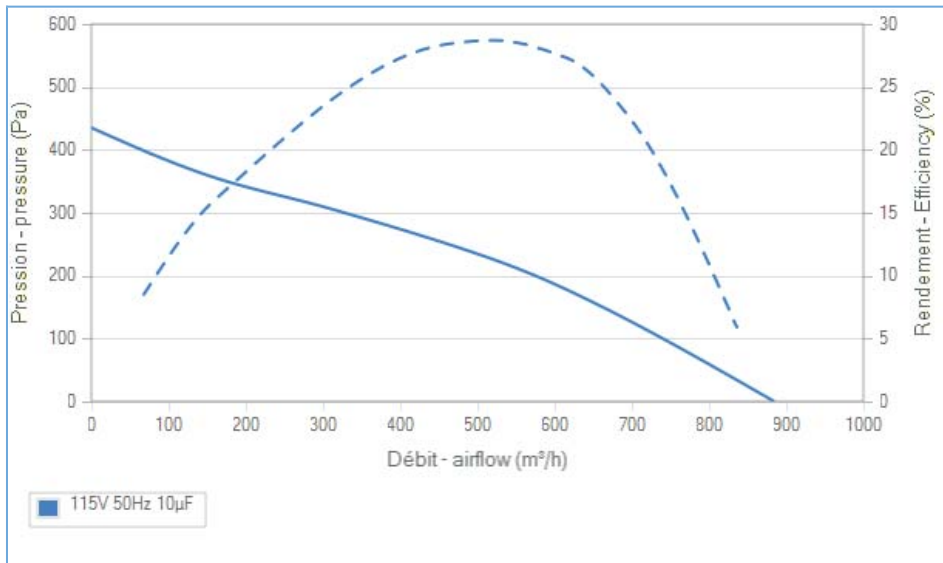
16195 M05-022 Ouie support moteur Ø155inter
Ø260ext moulée Alu NOIRE

Documents

- Manuel d'utilisation
www.ecofit.com/site/normes
- Operating and recycling manual
www.ecofit.com/anglais/normes



UL2111 (XEWR2,8)
N° file E135223
2RS925



Non contractual document. All specifications are subject to change without prior notice. Picture for information only.



2RREu25 220x45R (115V-Inv) C45-D0 p



DATA SHEET

release. g - Revision 11-2015

Voltage	Frequency	Input Power	Input Current	Capacitor	Airflow	Rotation speed	Acoustic level	Direction rotation	Admissible Temperature
V	Hz	W	A	µF	m³/h	RPM	dBA	↻	Min/Max
115	50	100	0,88	10,0	885	2620	67	R	-40°C / +70°C
115	60	144	1,26	10,0	940	2810	69	R	-40°C / +70°C
115	50				520 CFM				-40°F / 158°F
115	60				553 CFM				-40°F / 158°F



dBA : free blowing

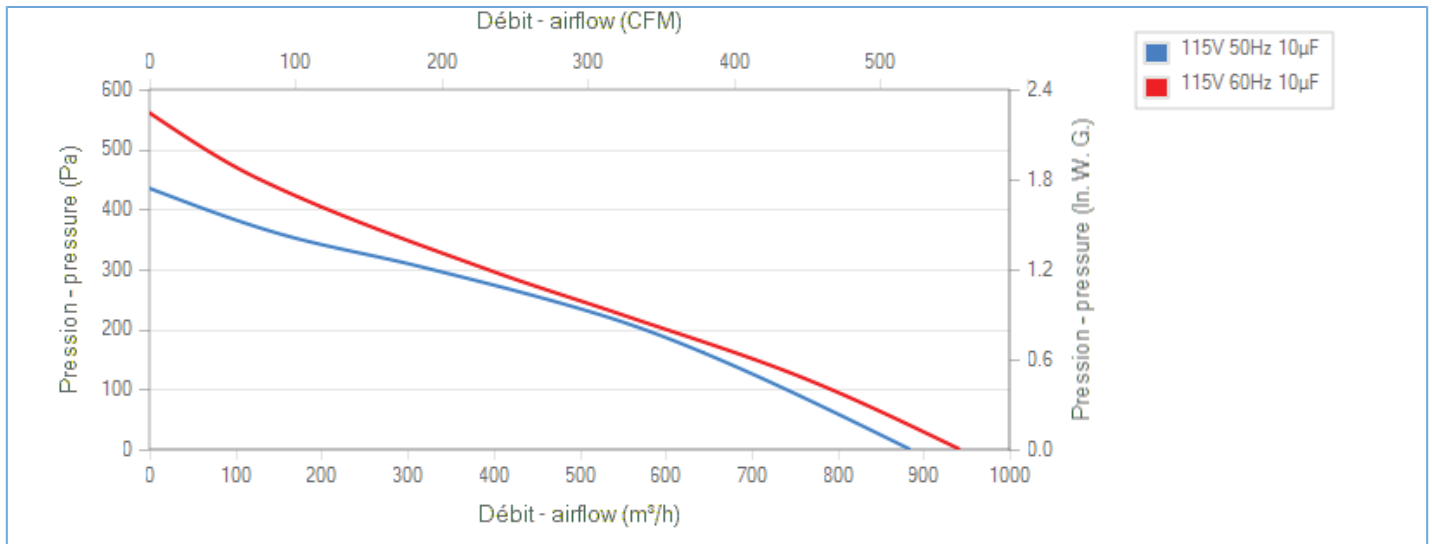
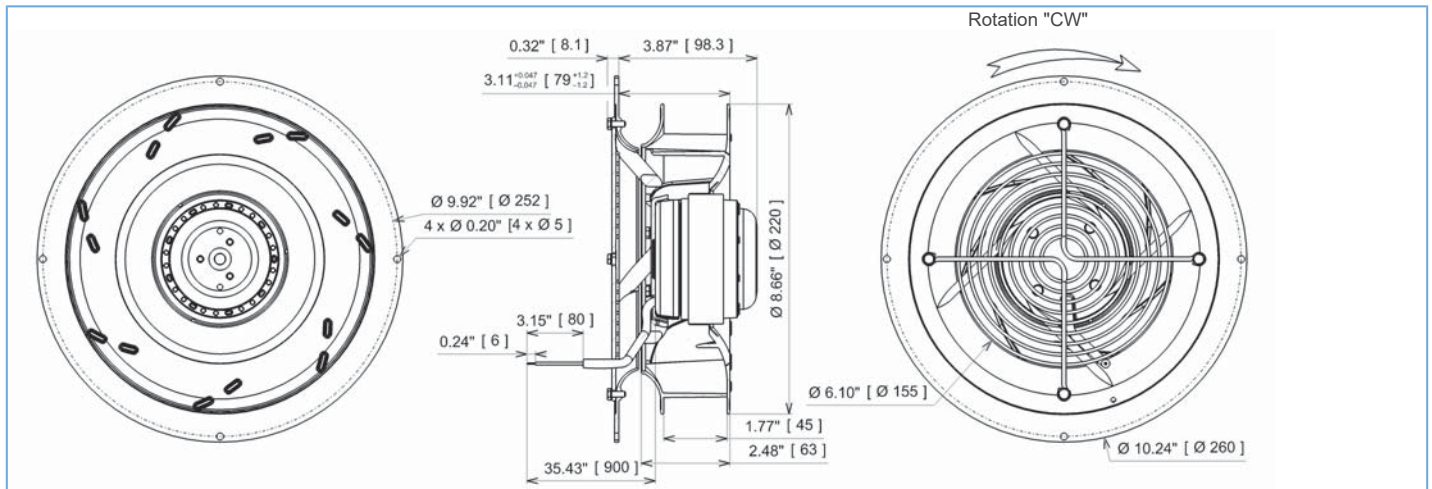
NA : not applicable

ErP 2013

NA

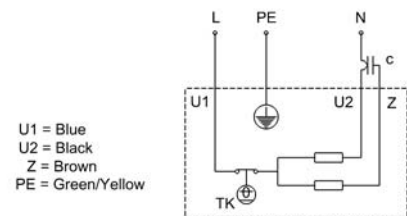
ErP 2015

NA



Description

- .Weight : 2,4 Kg
- .Ball bearing
- .Insulation Class F
- .IP44 protection depending on installation and position as per EN60034-5
- .G2.5 balancing
- .PA 6/6 UL 94 V-0 plastic impeller
- .Rotor : black paint
- .Black painted aluminium reversed-inletcone
- .Finger guard
- .Motor - UL Recognized component



Non contractual document. All specifications are subject to change without prior notice. Picture for information only.



2RREu25 220x45R (115V-Inv) C45-D0 p



DATA SHEET

release. g - Revision 11-2015

Data in accordance to ErP directive

Voltage	115	V
Frequency	50	Hz
Power	0,114	kW ⁽¹⁾
Airflow	521	m ³ /h ⁽¹⁾
Pressure	226	Pa ⁽¹⁾
Rotation speed	2504	RPM ⁽¹⁾

(1) at optimal efficiency point

ErP directive (EU 2009/125/EC) not applicable :
Power at optimum energy efficiency point

Accessories

19223

19223

Measurement setup

16195 M05-022 Ouie support moteur Ø155inter
Ø260ext moulée Alu NOIRE

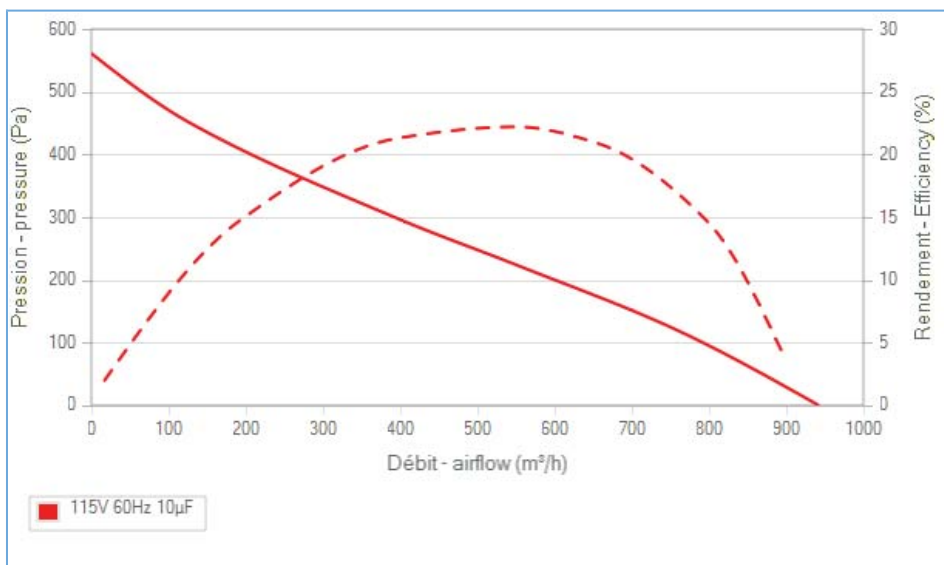
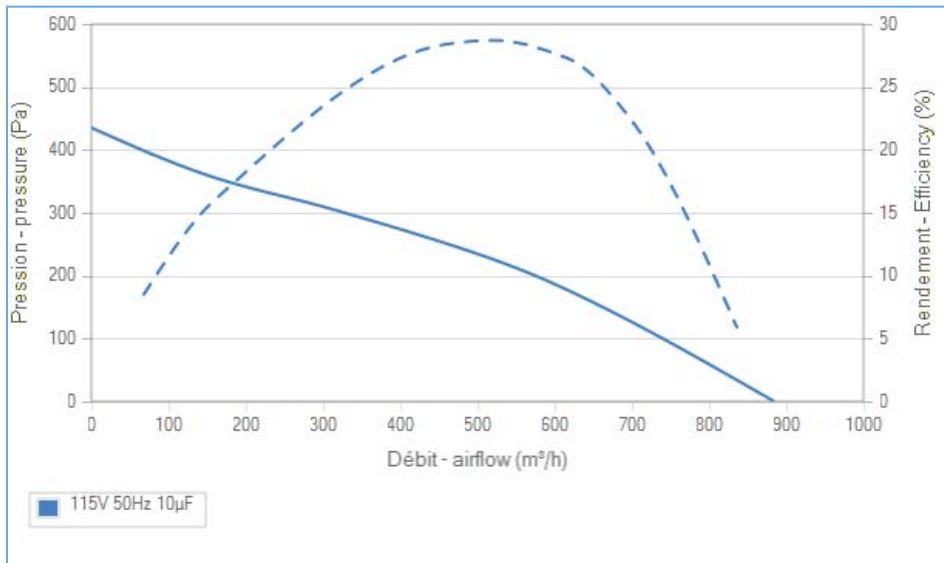
Documents

Manuel d'utilisation
www.ecofit.com/site/normes

Operating and recycling manual
www.ecofit.com/anglais/normes



UL2111 (XEWR2,8)
N° file E135223
2RS925



Non contractual document. All specifications are subject to change without prior notice. Picture for information only.



2RREu35 225x63R (Inv)

C36-B5 p

DATA SHEET

release. h - Revision 07-2016

Voltage	Frequency	Input Power	Input Current	Capacitor	Airflow	Rotation speed	Acoustic level	Direction rotation	Admissible Temperature
V	Hz	W	A	µF	m³/h	RPM	dBA	↻	Min/Max
230	50	148	0,65	3,5	965	2500	68	R	-40°C / +70°C
230	60	203	0,89	3,5	1005	2630	70	R	-40°C / +70°C
230	50				568 CFM				-40°F / 158°F
230	60				591 CFM				-40°F / 158°F



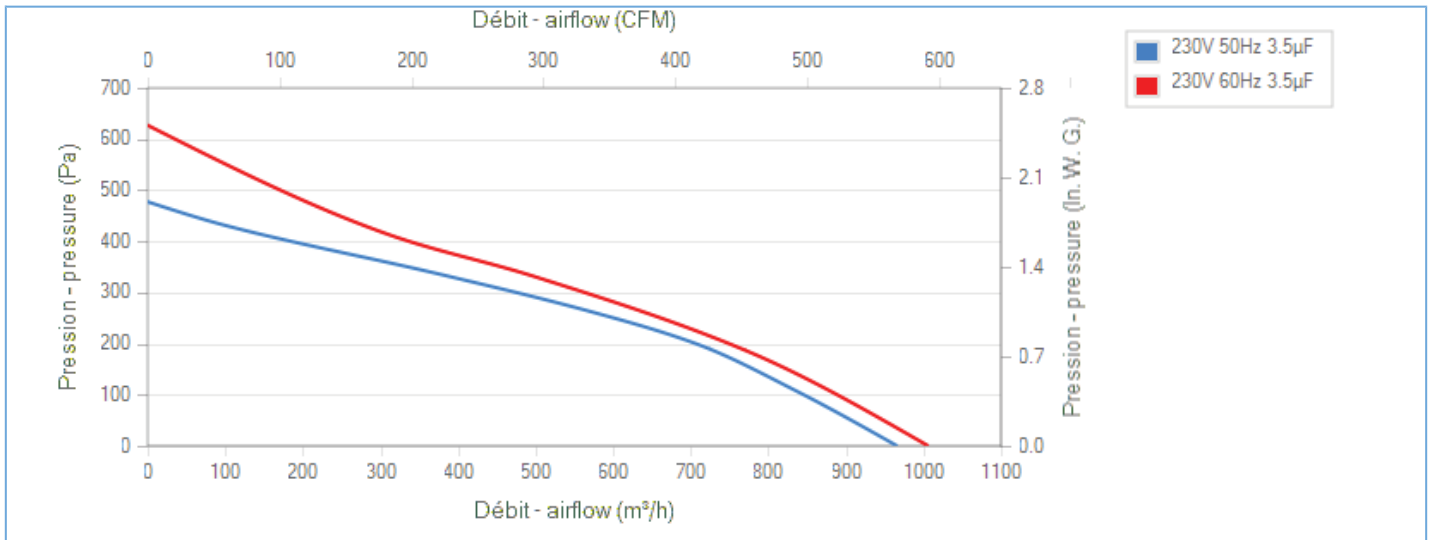
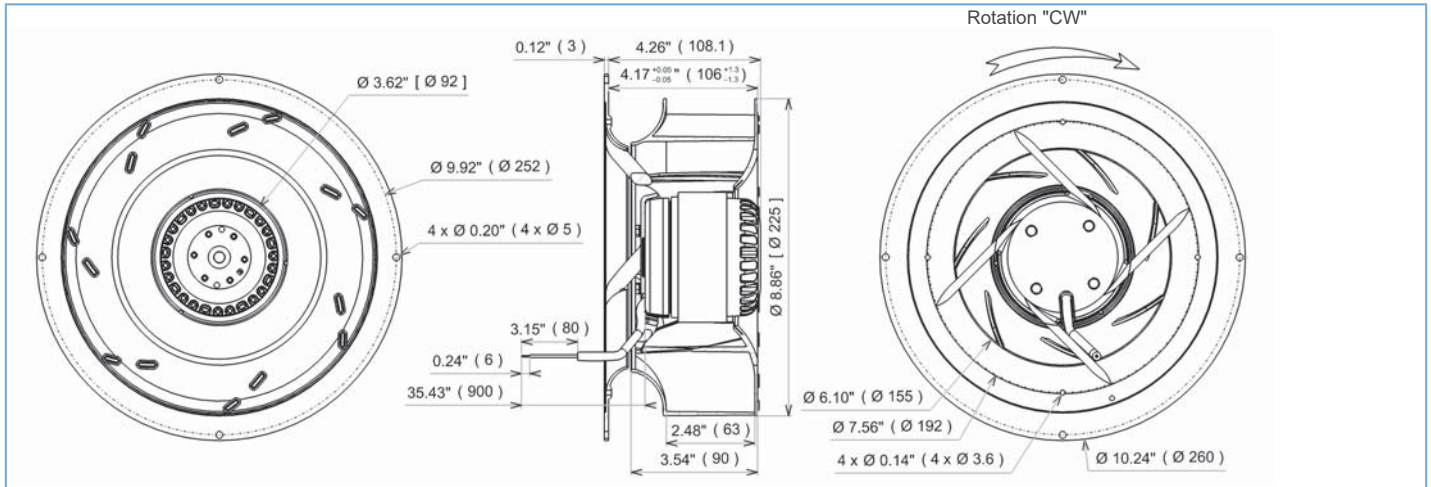
dBA : free blowing

ErP 2013

NOK

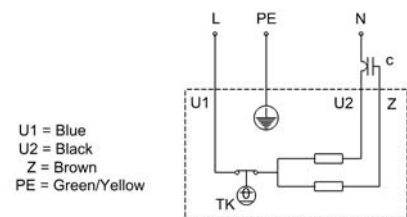
ErP 2015

NOK



Description

- .Weight : 2,5 Kg
- .Ball bearing
- .Class F, thermally protected
- .IP44 protection depending on installation and position as per EN60034-5
- .G2.5 balancing
- .PA 6/6 UL 94 V-0 plastic impeller
- .Rotor : black paint
- .Black painted aluminium reversed-inletcone
- .Motor - UL Recognized component



Non contractual document. All specifications are subject to change without prior notice. Picture for information only.



2RREu35 225x63R (Inv)

C36-B5 p

DATA SHEET

release. h - Revision 07-2016

Data in accordance to ErP directive

Voltage	230	V
Frequency	50	Hz
Power	0,151	kW ⁽¹⁾
Airflow	575	m ³ /h ⁽¹⁾
Pressure	261	Pa ⁽¹⁾
Rotation speed	2481	RPM ⁽¹⁾

(1) at optimal efficiency point

For service use only in Europe according ErP directive EU 2009/125/EC

Accessories

- 19232
- 19232
- 21194

Measurement setup

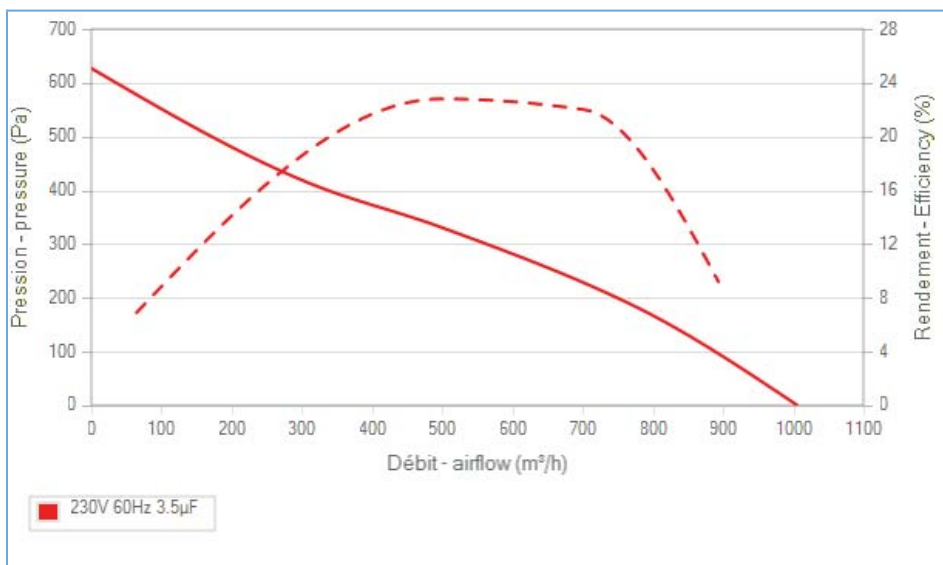
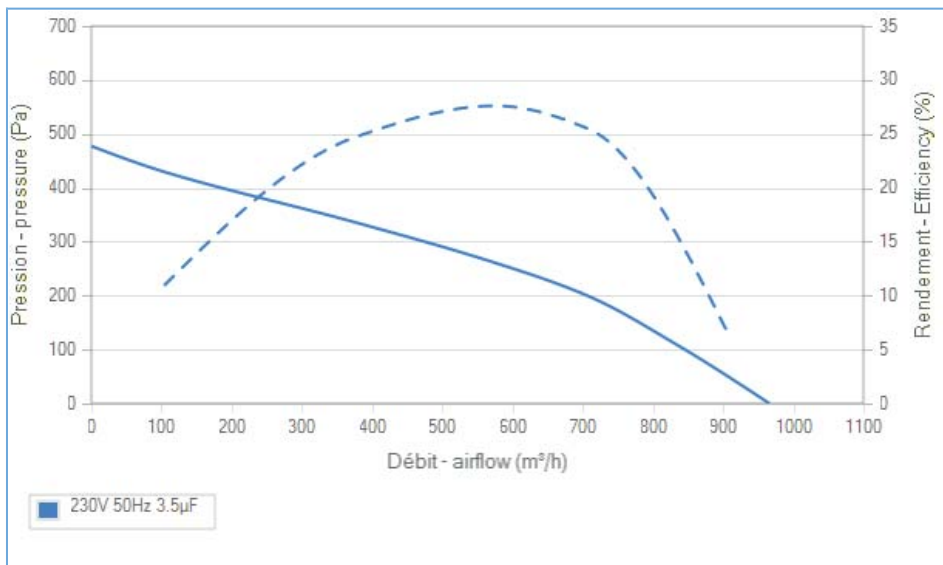
16195 M05-022 Ouie support moteur Ø155inter Ø260ext moulée Alu NOIRE

Documents

- Manuel d'utilisation
www.ecofit.com/site/normes
- Operating and recycling manual
www.ecofit.com/anglais/normes



UL2111 (XEWR2,8)
N° file E135223
2RS935



Non contractual document. All specifications are subject to change without prior notice. Picture for information only.



2RREu35 225x63R (Inv)

C41-B2 p

DATA SHEET

release. h - Revision 04-2016

Voltage	Frequency	Input Power	Input Current	Capacitor	Airflow	Rotation speed	Acoustic level	Direction rotation	Admissible Temperature
V	Hz	W	A	µF	m³/h	RPM	dBA	↻	Min/Max
230	50	148	0,65	3,5	965	2500	68	R	-40°C / +70°C
230	60	203	0,89	3,5	1005	2630	70	R	-40°C / +70°C
230	50				568 CFM				-40°F / 158°F
230	60				591 CFM				-40°F / 158°F



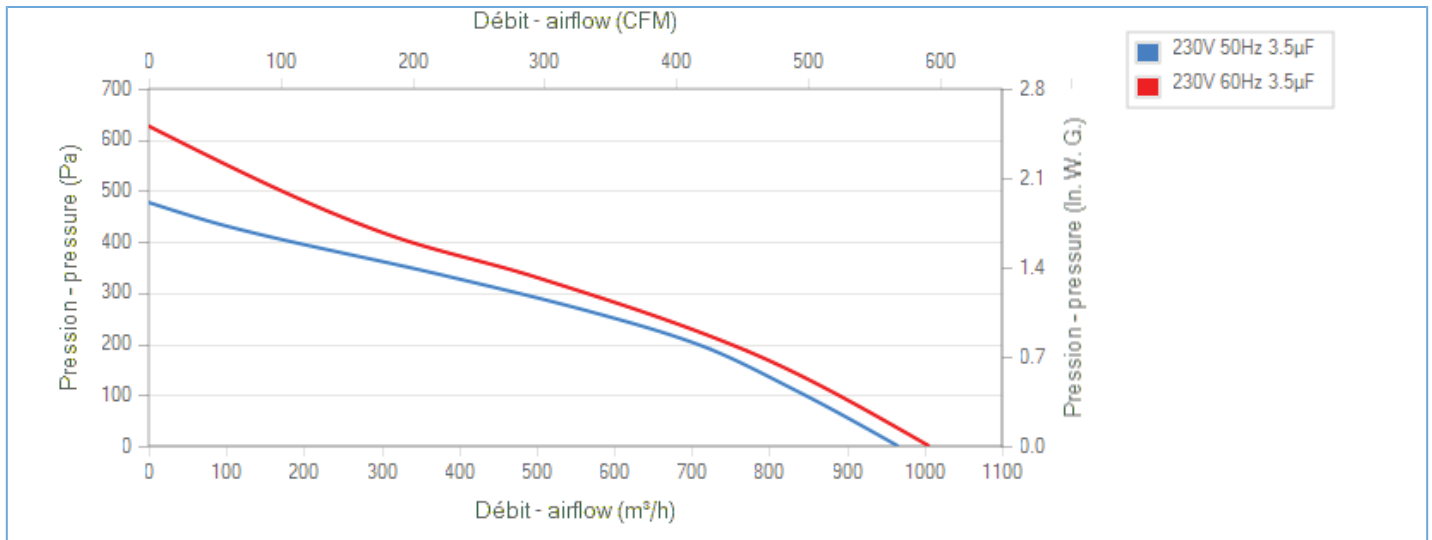
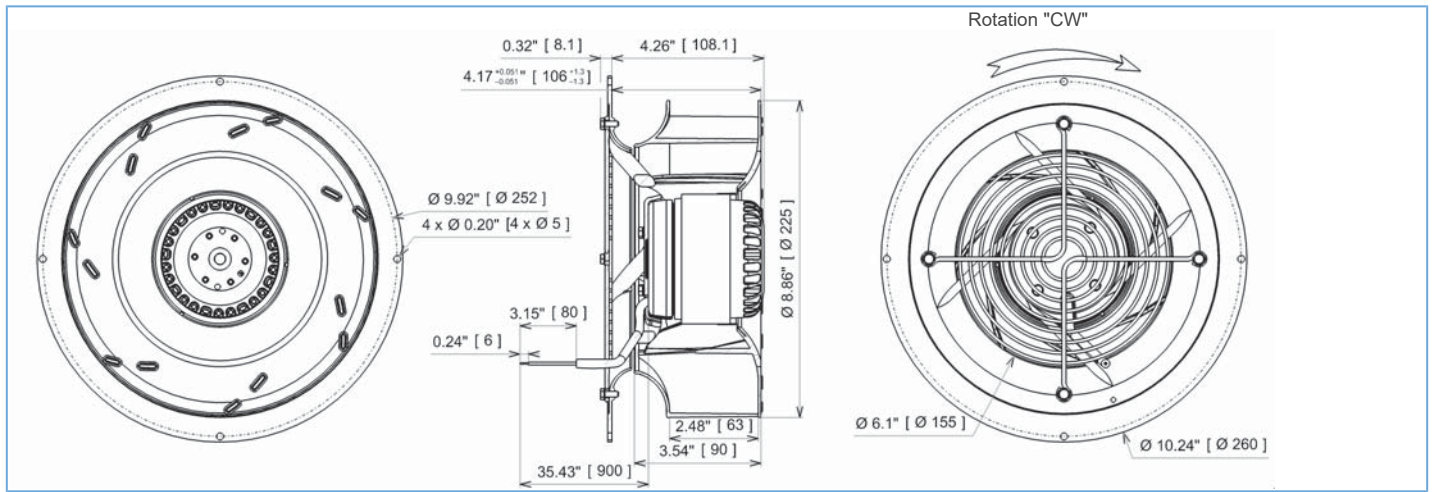
dBA : free blowing

ErP 2013

NOK

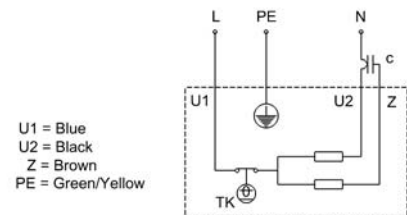
ErP 2015

NOK



Description

- .Weight : 2,5 Kg
- .Ball bearing
- .Class F, thermally protected
- .IP44 protection depending on installation and position as per EN60034-5
- .G2.5 balancing
- .PA 6/6 UL 94 V-0 plastic impeller
- .Rotor : black paint
- .Black painted aluminium reversed-inletcone
- .Finger guard
- .Motor - UL Recognized component



Non contractual document. All specifications are subject to change without prior notice. Picture for information only.



2RREu35 225x63R (Inv)

C41-B2 p

DATA SHEET

release. h - Revision 04-2016

Data in accordance to ErP directive

Voltage	230	V
Frequency	50	Hz
Power	0,151	kW ⁽¹⁾
Airflow	575	m ³ /h ⁽¹⁾
Pressure	261	Pa ⁽¹⁾
Rotation speed	2481	RPM ⁽¹⁾

(1) at optimal efficiency point

For service use only in Europe according ErP directive EU 2009/125/EC

Accessories

19232

19232

Measurement setup

16195 M05-022 Ouie support moteur Ø155inter
Ø260ext moulée Alu NOIRE

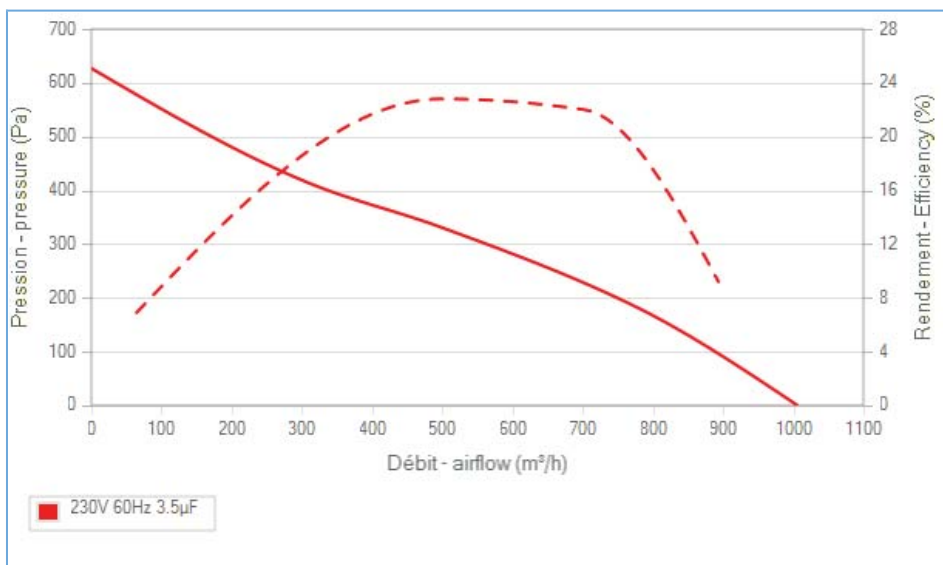
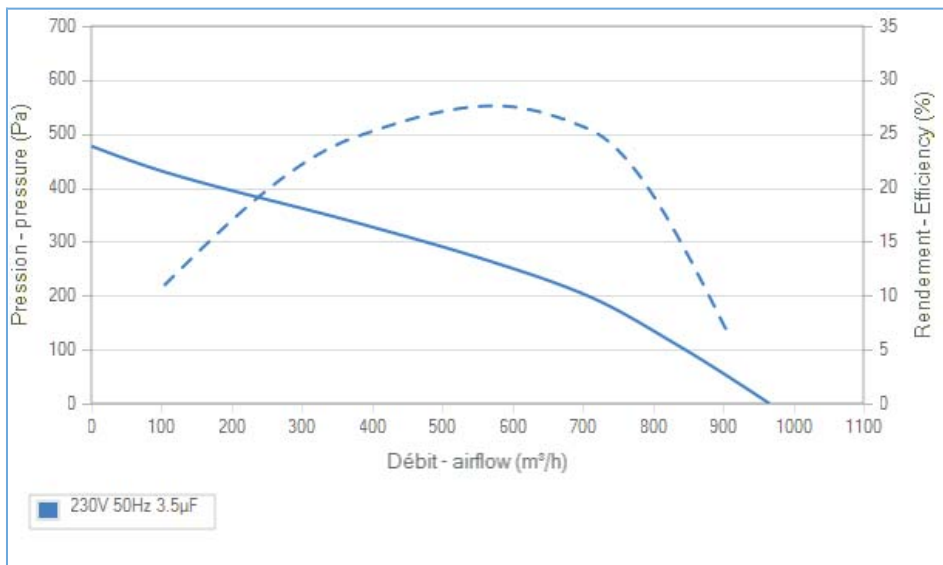
Documents

Manuel d'utilisation
www.ecofit.com/site/normes

Operating and recycling manual
www.ecofit.com/anglais/normes



UL2111 (XEW2,8)
N° file E135223
2RS935



Non contractual document. All specifications are subject to change without prior notice. Picture for information only.



2RREu35 225x63R (115V-Inv) C45-A7 p

DATA SHEET

release. f - Revision 06-2016

Voltage	Frequency	Input Power	Input Current	Capacitor	Airflow	Rotation speed	Acoustic level	Direction rotation	Admissible Temperature
V	Hz	W	A	µF	m³/h	RPM	dBA	↻	Min/Max
115	50	146	1,27	18,0	960	2510	67	R	-40°C / +70°C
115	60	198	1,73	18,0	1055	2670	69	R	-40°C / +70°C
115	50				565 CFM				-40°F / 158°F
115	60				620 CFM				-40°F / 158°F



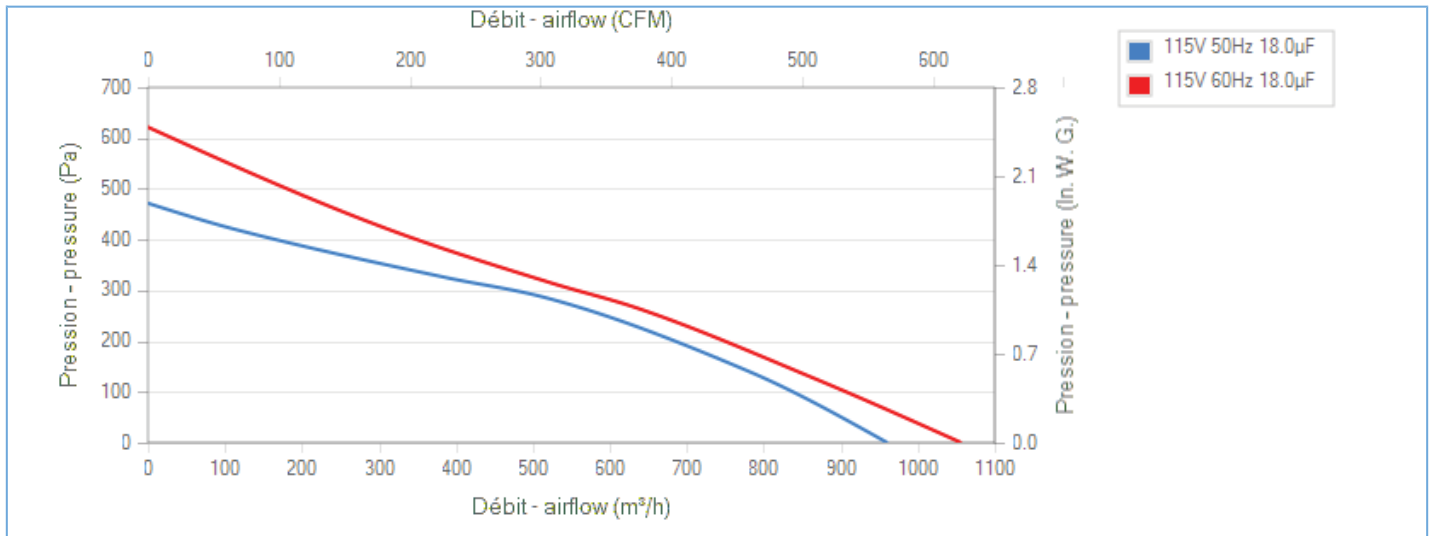
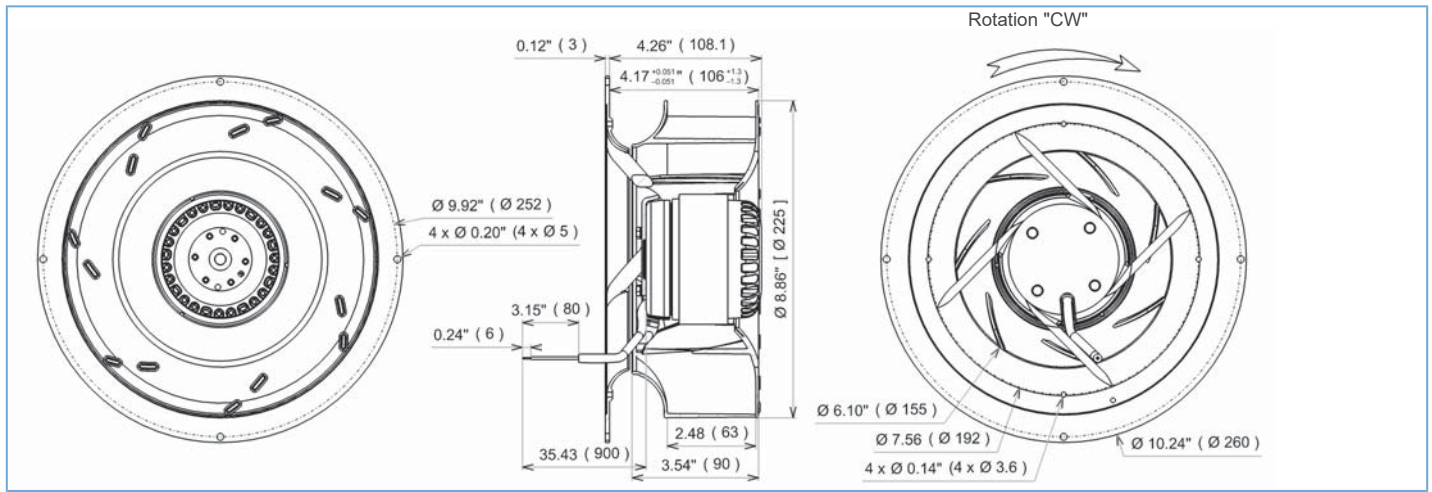
dBA : free blowing

ErP 2013

NOK

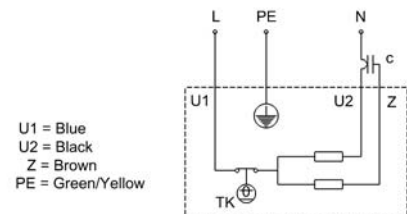
ErP 2015

NOK



Description

- .Weight : 2,5 Kg
- .Ball bearing
- .Insulation Class F
- .IP44 protection depending on installation and position as per EN60034-5
- .G2.5 balancing
- .PA 6/6 UL 94 V-0 plastic impeller
- .Rotor : black paint
- .Black painted aluminium reversed-inletcone
- .Motor - UL Recognized component



Non contractual document. All specifications are subject to change without prior notice. Picture for information only.



2RREu35 225x63R (115V-Inv) C45-A7 p

DATA SHEET

release. f - Revision 06-2016

Data in accordance to ErP directive

Voltage	115	V
Frequency	50	Hz
Power	0,147	kW ⁽¹⁾
Airflow	511	m ³ /h ⁽¹⁾
Pressure	288	Pa ⁽¹⁾
Rotation speed	2490	RPM ⁽¹⁾

(1) at optimal efficiency point

For service use only in Europe according ErP directive EU 2009/125/EC

Accessories

19225
19225
21194

Measurement setup

16195 M05-022 Ouie support moteur Ø155inter
Ø260ext moulée Alu NOIRE

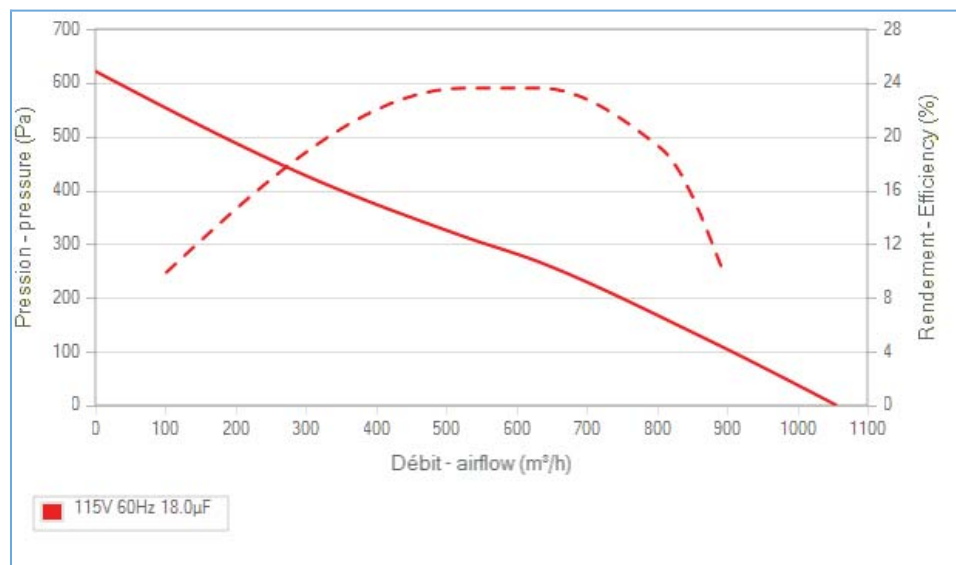
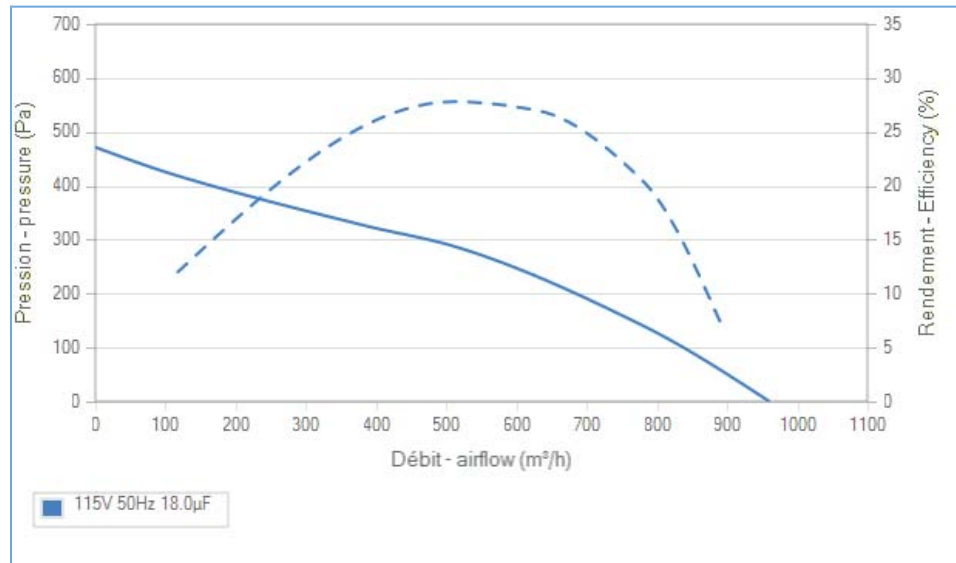
Documents

Manuel d'utilisation
www.ecofit.com/site/normes

Operating and recycling manual
www.ecofit.com/anglais/normes



UL2111 (XEW2,8)
N° file E135223
2RS935



Non contractual document. All specifications are subject to change without prior notice. Picture for information only.



2RREu35 225x63R (115V-Inv) C45-D1 p

DATA SHEET

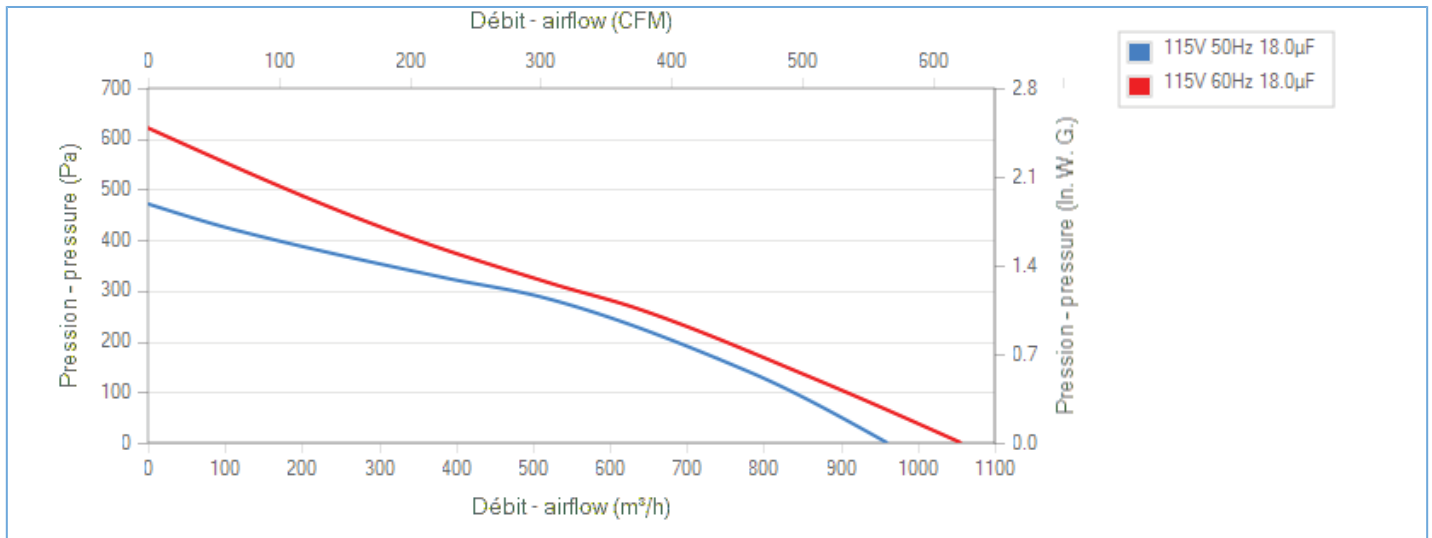
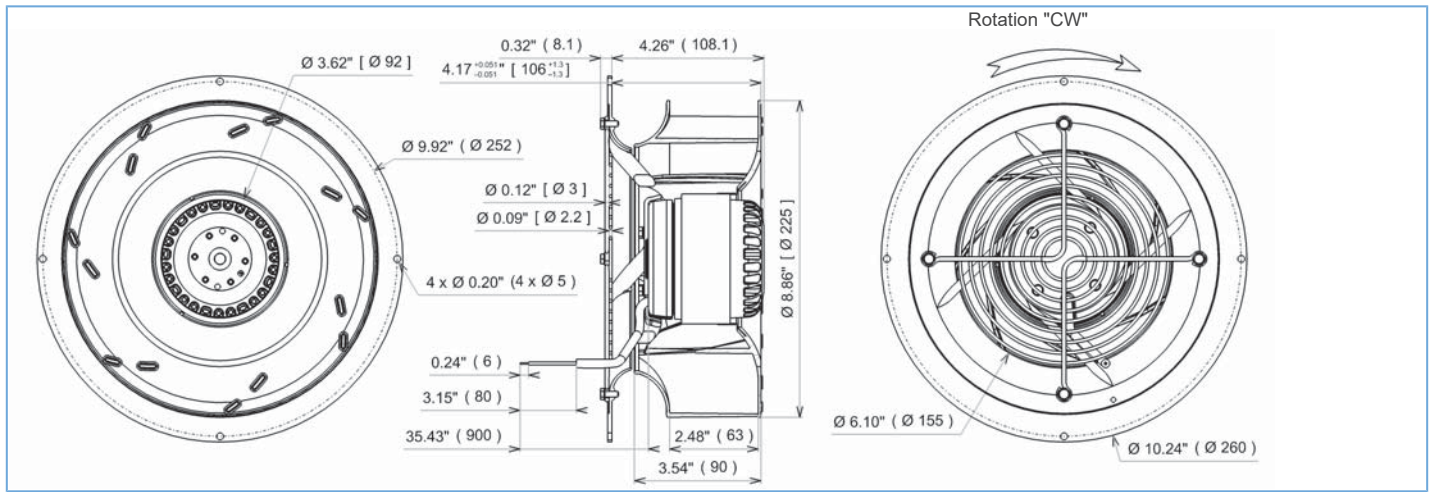
release. e - Revision 08-2016

Voltage	Frequency	Input Power	Input Current	Capacitor	Airflow	Rotation speed	Acoustic level	Direction rotation	Admissible Temperature
V	Hz	W	A	µF	m³/h	RPM	dBA	↻	Min/Max
115	50	146	1,27	18,0	960	2510	67	R	-40°C / +70°C
115	60	198	1,73	18,0	1055	2670	69	R	-40°C / +70°C
115	50				565 CFM				-40°F / 158°F
115	60				620 CFM				-40°F / 158°F



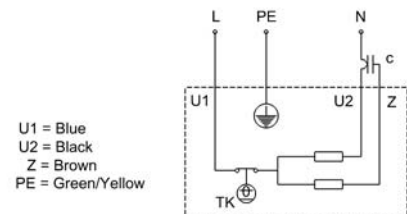
dBa : free blowing

ErP 2013 **NOK** ErP 2015 **NOK**



Description

- .Weight : 2,5 Kg
- .Ball bearing
- .Insulation Class F
- .IP44 protection depending on installation and position as per EN60034-5
- .G2.5 balancing
- .PA 6/6 UL 94 V-0 plastic impeller
- .Rotor : black paint
- .Black painted aluminium reversed-inletcone
- .Finger guard
- .Motor - UL Recognized component



Non contractual document. All specifications are subject to change without prior notice. Picture for information only.



2RREu35 225x63R (115V-Inv) C45-D1 p

DATA SHEET

release. e - Revision 08-2016

Data in accordance to ErP directive

Voltage	115	V
Frequency	50	Hz
Power	0,147	kW ⁽¹⁾
Airflow	511	m ³ /h ⁽¹⁾
Pressure	288	Pa ⁽¹⁾
Rotation speed	2490	RPM ⁽¹⁾

(1) at optimal efficiency point

For service use only in Europe according ErP directive EU 2009/125/EC

Accessories

19225

19225

Measurement setup

16195 M05-022 Ouie support moteur Ø155inter
Ø260ext moulée Alu NOIRE

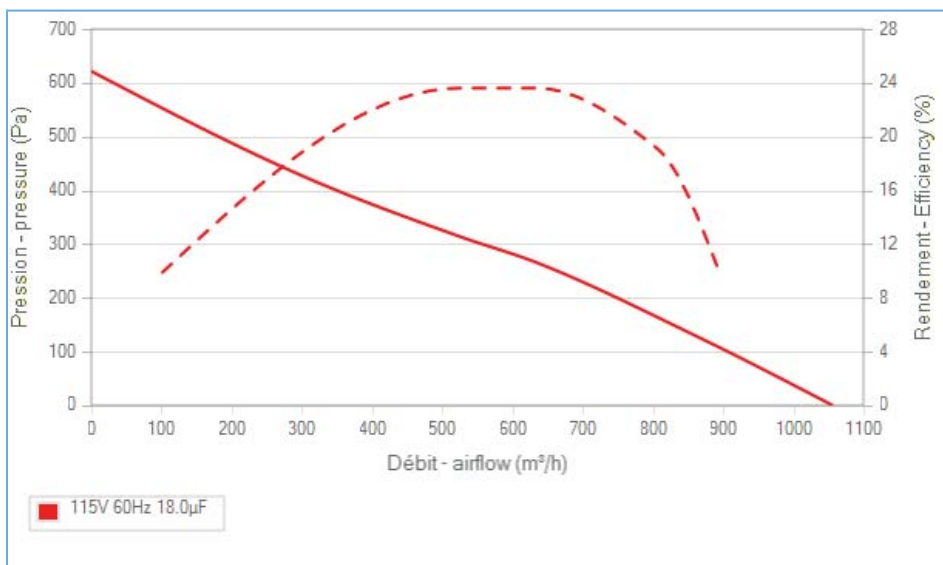
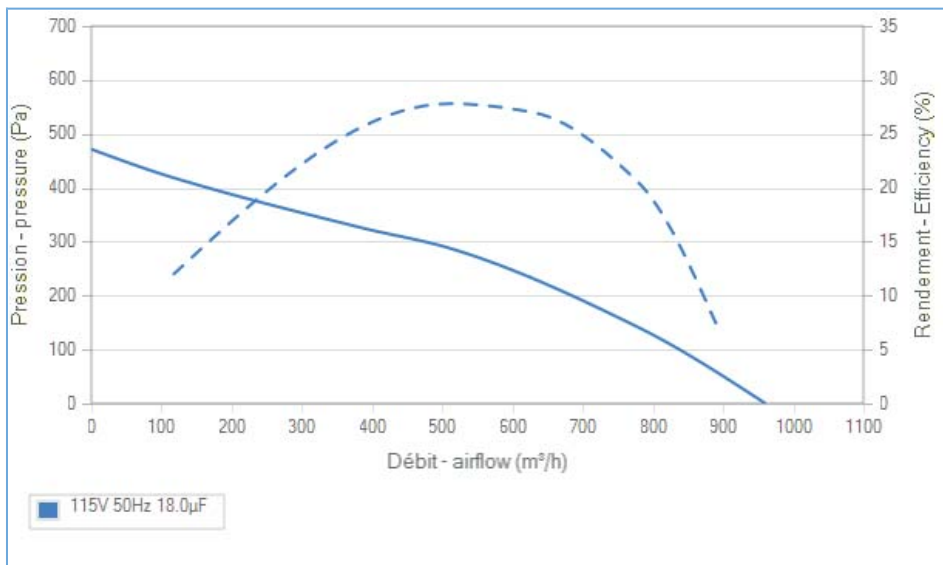
Documents

Manuel d'utilisation
www.ecofit.com/site/normes

Operating and recycling manual
www.ecofit.com/anglais/normes



UL2111 (XEW2,8)
N° file E135223
2RS935



Non contractual document. All specifications are subject to change without prior notice. Picture for information only.



2RREu45 250x56R (Inv)

C36-B6

DATA SHEET

release. d - Revision 01-2018

Voltage	Frequency	Input Power	Input Current	Capacitor	Airflow	Rotation speed	Acoustic level	Direction rotation	Admissible Temperature
V	Hz	W	A	µF	m³/h	RPM	dBA		Min/Max
230	50	202	0,88	6,0	1410	2555	76	R	-40°C / +70°C
230	60	285	1,24	6,0	1450	2695	77	R	-40°C / +70°C
230	50				829 CFM				-40°F / 158°F
230	60				853 CFM				-40°F / 158°F

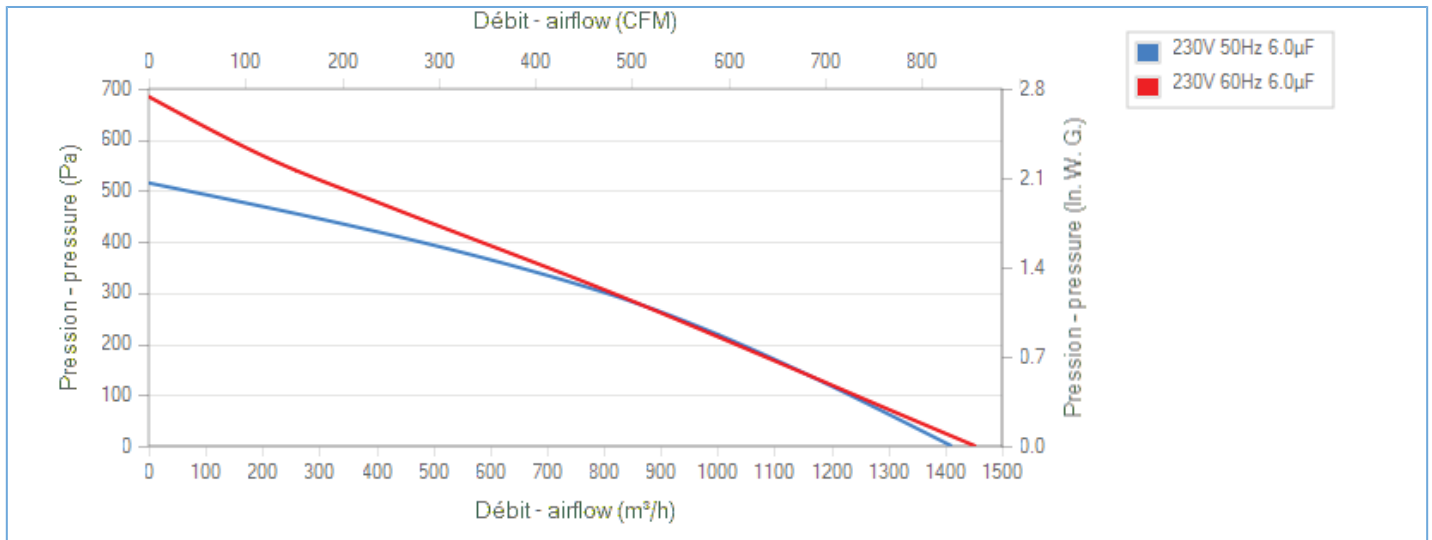
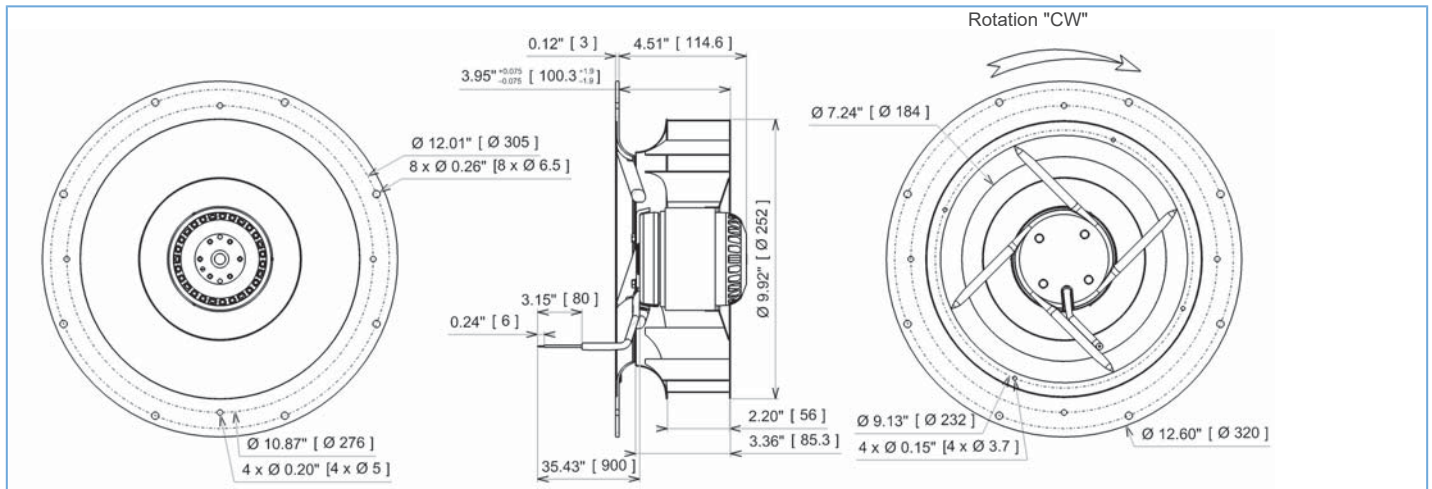


dBA : free blowing

ErP 2013

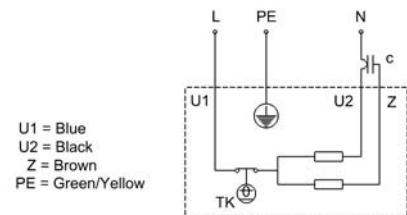


ErP 2015



Description

- .Weight : 3,5 Kg
- .Ball bearing
- .Class F, thermally protected
- .IP44 protection depending on installation and position as per EN60034-5
- .G2.5 balancing
- .Rotor : black paint
- .Galvanized steel impeller
- .Black painted aluminium reversed-inletcone
- .Motor - UL Recognized component



Non contractual document. All specifications are subject to change without prior notice. Picture for information only.



2RREu45 250x56R (Inv)

C36-B6

DATA SHEET

release. d - Revision 01-2018

Data in accordance to ErP directive

Voltage	230	V
Frequency	50	Hz
Power	0,234	kW ⁽¹⁾
Airflow	795	m ³ /h ⁽¹⁾
Pressure	303	Pa ⁽¹⁾
Rotation speed	2434	RPM ⁽¹⁾

(1) at optimal efficiency point

For service use only in Europe according ErP directive EU 2009/125/EC

Accessories

19221

19221

21360

Measurement setup

16192 M05-020 Ouie support moteur Ø184inter
Ø320ext moulée Alu NOIRE

Documents

Manuel d'utilisation
www.ecofit.com/site/normes

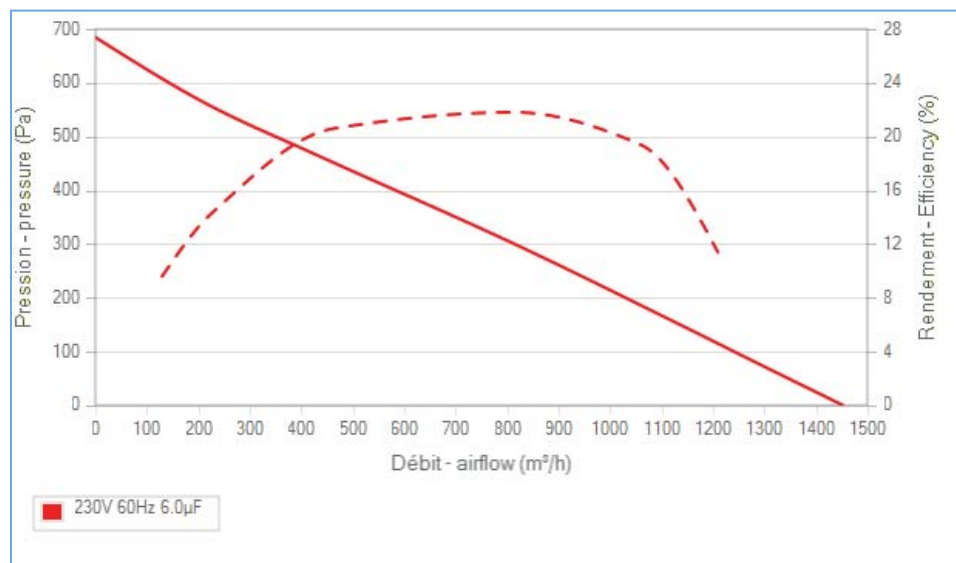
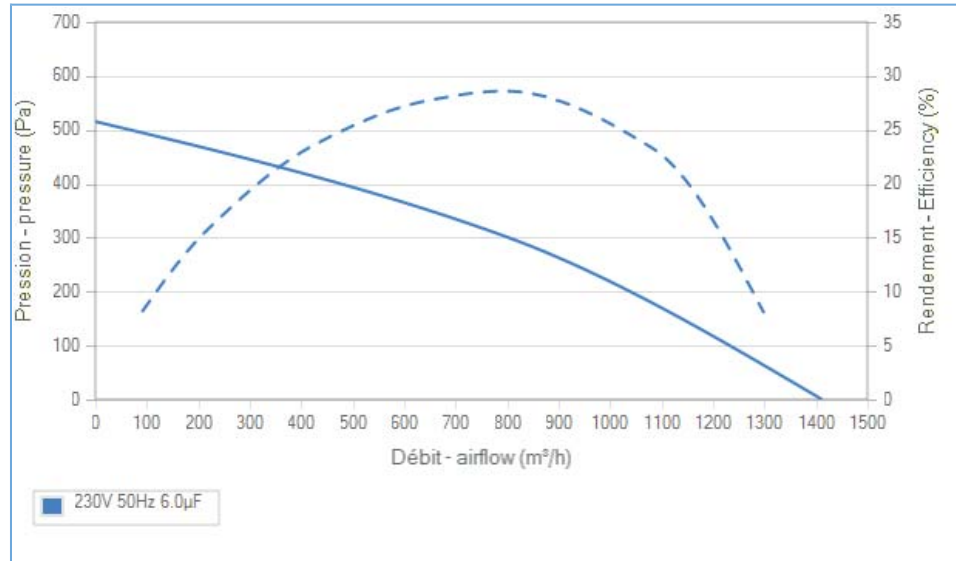
Operating and recycling manual
www.ecofit.com/anglais/normes



UL2111 (XEWR2,8)
N° file E135223
2RS945



A041865
2RS945CN



Non contractual document. All specifications are subject to change without prior notice. Picture for information only.



2RREu45 250x56R (Inv)

C41-B3

DATA SHEET

release. d - Revision 01-2018

Voltage	Frequency	Input Power	Input Current	Capacitor	Airflow	Rotation speed	Acoustic level	Direction rotation	Admissible Temperature
V	Hz	W	A	µF	m³/h	RPM	dBA		Min/Max
230	50	202	0,88	6,0	1410	2555	76	R	-40°C / +70°C
230	60	285	1,24	6,0	1450	2695	77	R	-40°C / +70°C
230	50				829 CFM				-40°F / 158°F
230	60				853 CFM				-40°F / 158°F



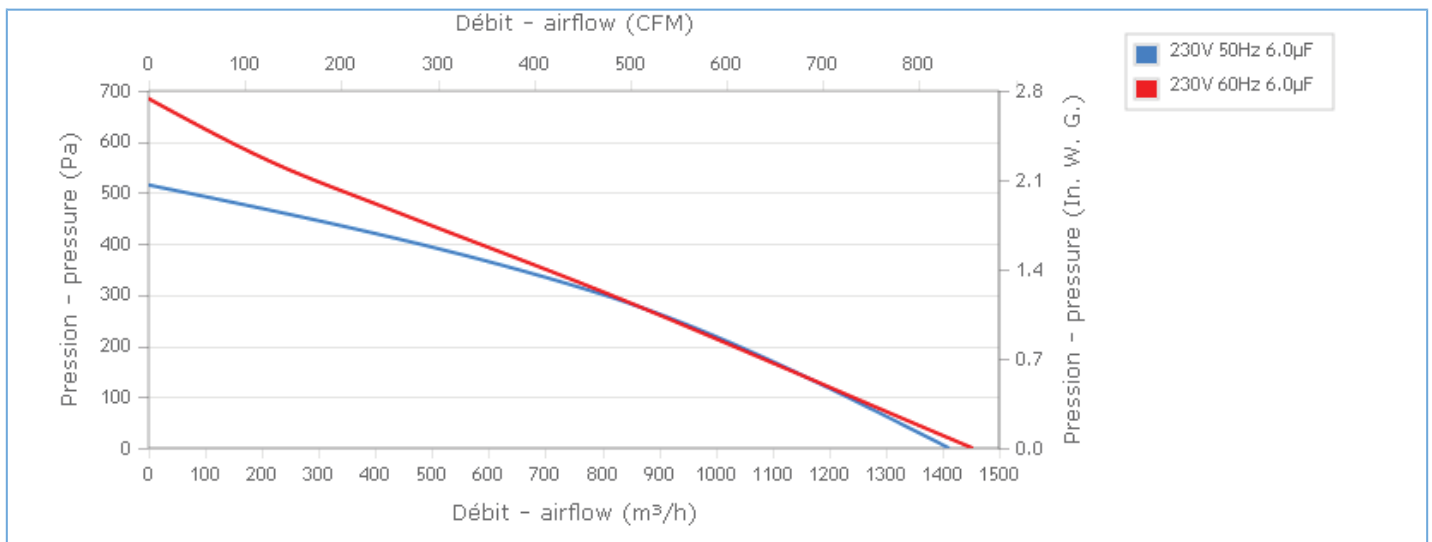
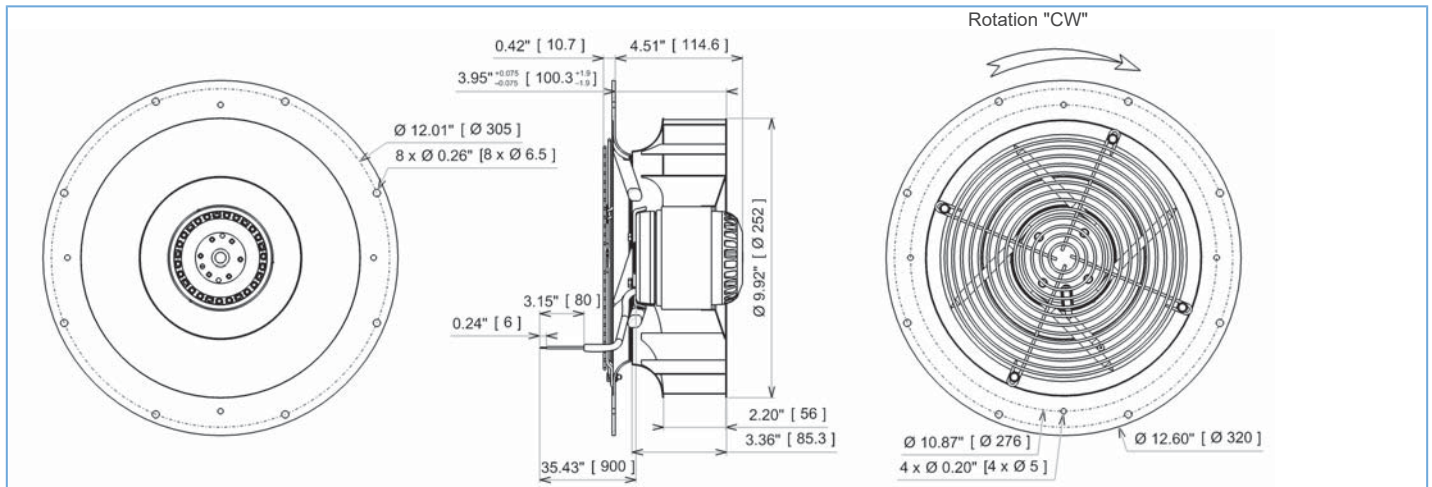
dBa : free blowing

ErP 2013

NOK

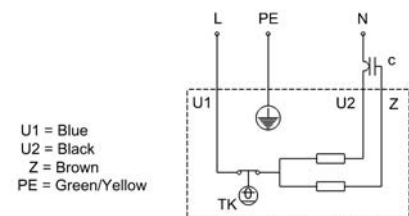
ErP 2015

NOK



Description

- .Weight : 3,9 Kg
- .Ball bearing
- .Class F, thermally protected
- .IP44 protection depending on installation and position as per EN60034-5
- .G2.5 balancing
- .Rotor : black paint
- .Galvanized steel impeller
- .Black painted aluminium reversed-inletcone
- .Finger guard
- .Motor - UL Recognized component



Non contractual document. All specifications are subject to change without prior notice. Picture for information only.



2RREu45 250x56R (Inv)

C41-B3

DATA SHEET

release. d - Revision 01-2018

Data in accordance to ErP directive

Voltage	230	V
Frequency	50	Hz
Power	0,234	kW ⁽¹⁾
Airflow	795	m ³ /h ⁽¹⁾
Pressure	303	Pa ⁽¹⁾
Rotation speed	2434	RPM ⁽¹⁾

(1) at optimal efficiency point

For service use only in Europe according ErP directive EU 2009/125/EC

Accessories

19221

19221

Measurement setup

16192 M05-020 Ouie support moteur Ø184inter Ø320ext moulée Alu NOIRE

Documents

Manuel d'utilisation
www.ecofit.com/site/normes

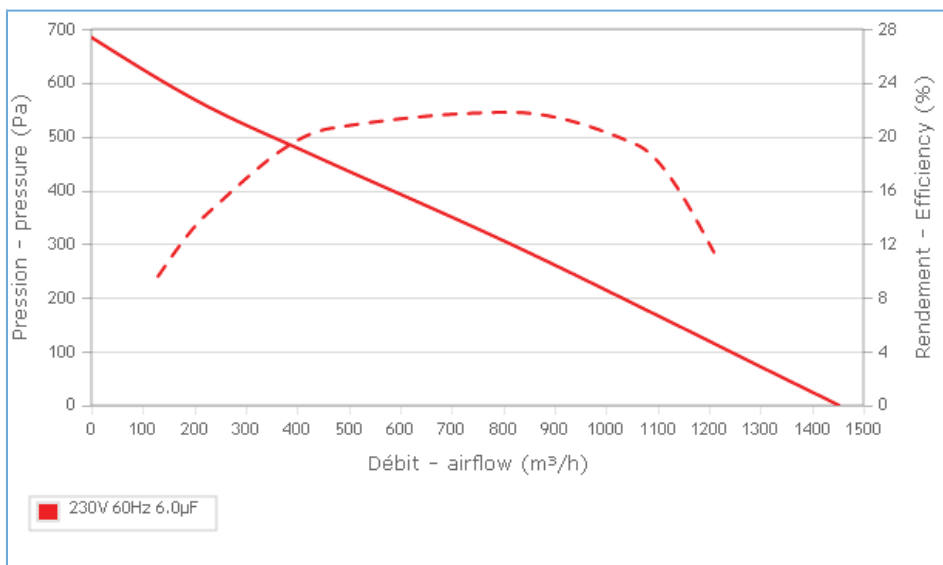
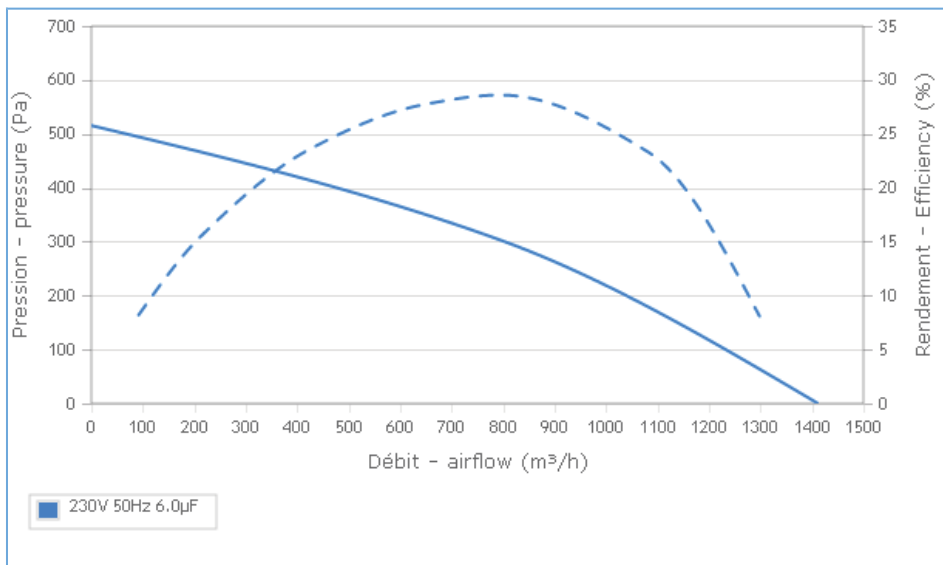
Operating and recycling manual
www.ecofit.com/anglais/normes



UL2111 (XEWR2,8)
 N° file E135223
 2RS945



A041865
 2RS945CN



Non contractual document. All specifications are subject to change without prior notice. Picture for information only.

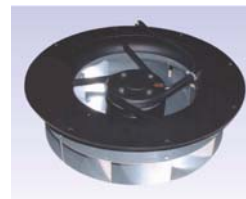


2RREu45 250x56R (115V-Inv) C45-A8

DATA SHEET

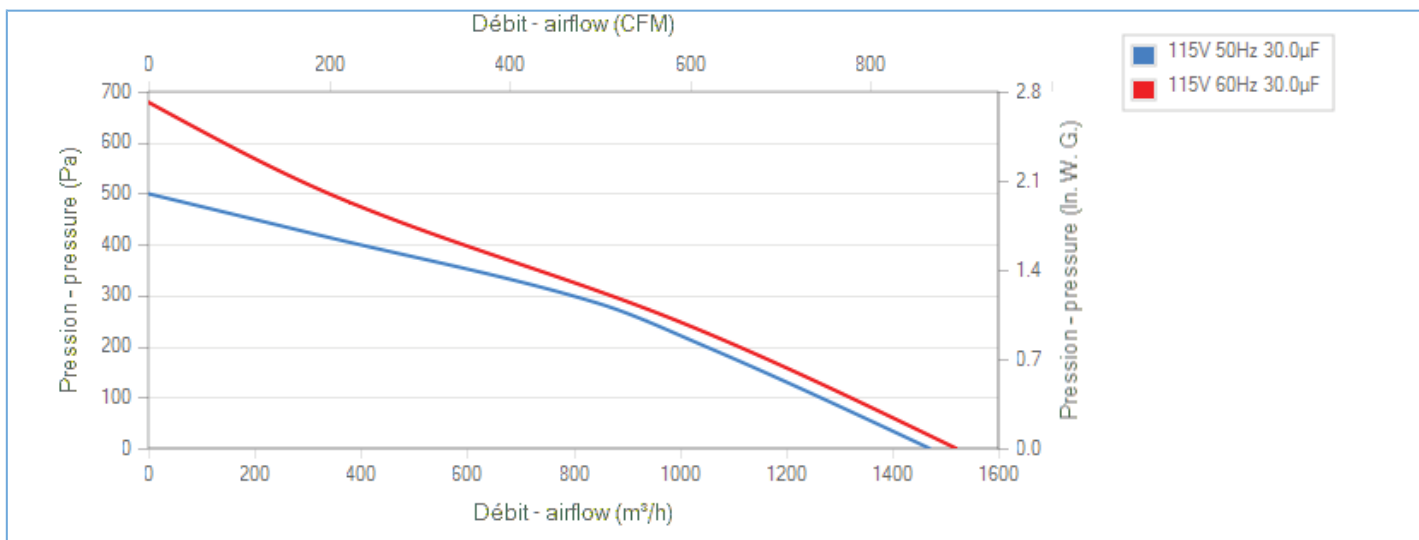
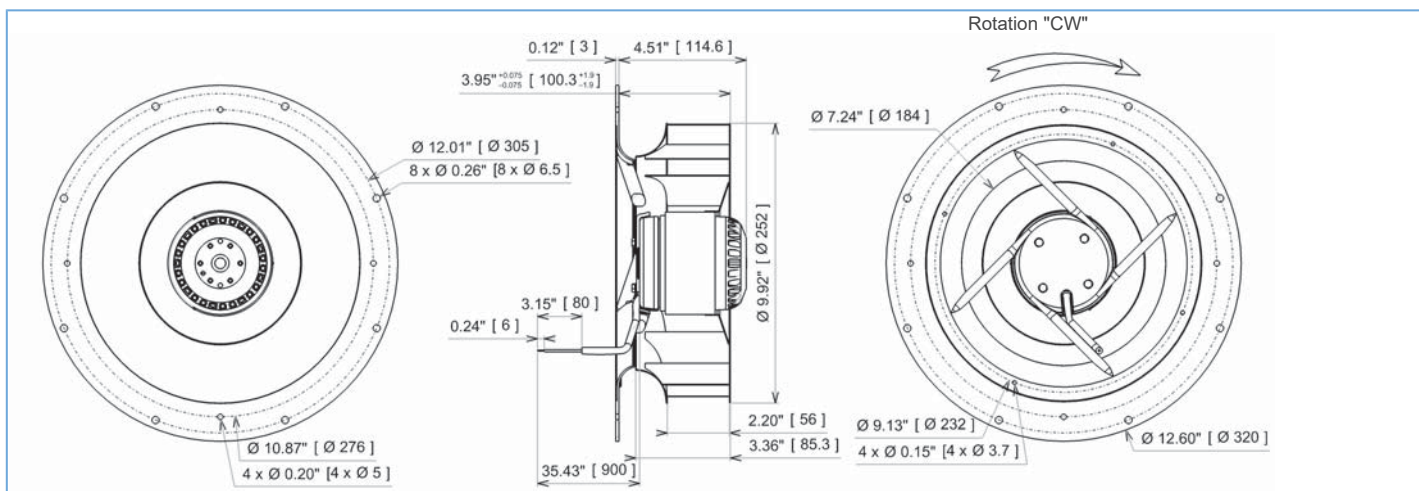
release. d - Revision 11-2015

Voltage	Frequency	Input Power	Input Current	Capacitor	Airflow	Rotation speed	Acoustic level	Direction rotation	Admissible Temperature
V	Hz	W	A	µF	m³/h	RPM	dBA		Min/Max
115	50	233	2,03	30,0	1470	2500	71	R	-40°C / +70°C
115	60	318	2,77	30,0	1520	2610	73	R	-40°C / +70°C
115	50				865 CFM				-40°F / 158°F
115	60				894 CFM				-40°F / 158°F



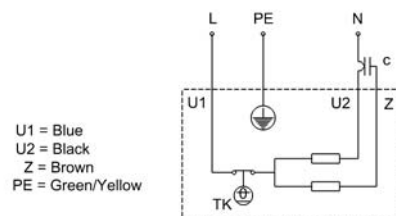
dBA : free blowing

ErP 2013 NOK ErP 2015 NOK



Description

- .Weight : 3,5 Kg
- .Ball bearing
- .Class F, thermally protected
- .IP44 protection depending on installation and position as per EN60034-5
- .G2.5 balancing
- .Rotor : black paint
- .Galvanized steel impeller
- .Black painted aluminium reversed-inletcone
- .Motor - UL Recognized component



Non contractual document. All specifications are subject to change without prior notice. Picture for information only.



2RREu45 250x56R (115V-Inv) C45-A8

DATA SHEET

release. d - Revision 11-2015

Data in accordance to ErP directive

Voltage	115	V
Frequency	50	Hz
Power	0,248	kW ⁽¹⁾
Airflow	845	m ³ /h ⁽¹⁾
Pressure	285	Pa ⁽¹⁾
Rotation speed	2393	RPM ⁽¹⁾

(1) at optimal efficiency point

For service use only in Europe according ErP directive EU 2009/125/EC

Accessories

19256

19256

21360

Measurement setup

16192 M05-020 Ouie support moteur Ø184inter
Ø320ext moulée Alu NOIRE

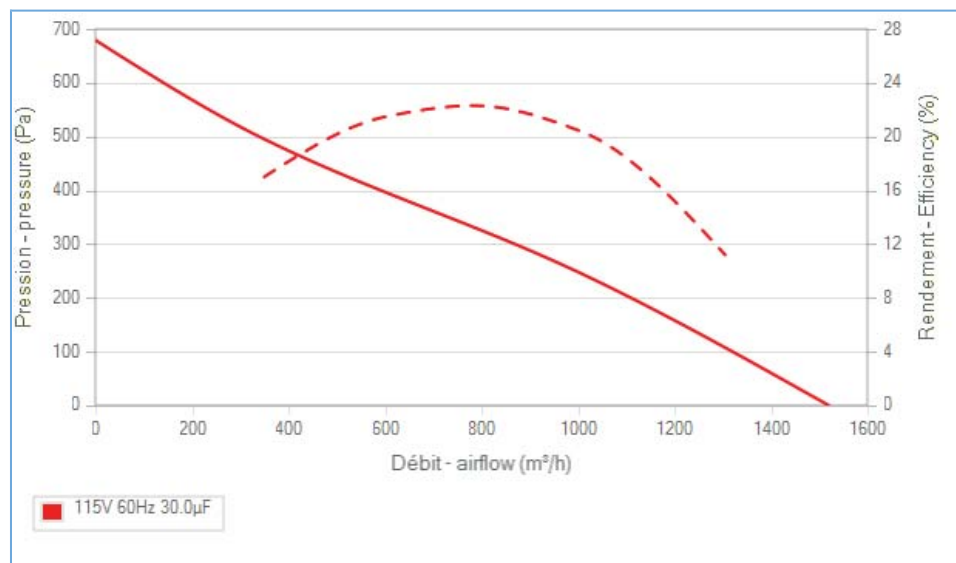
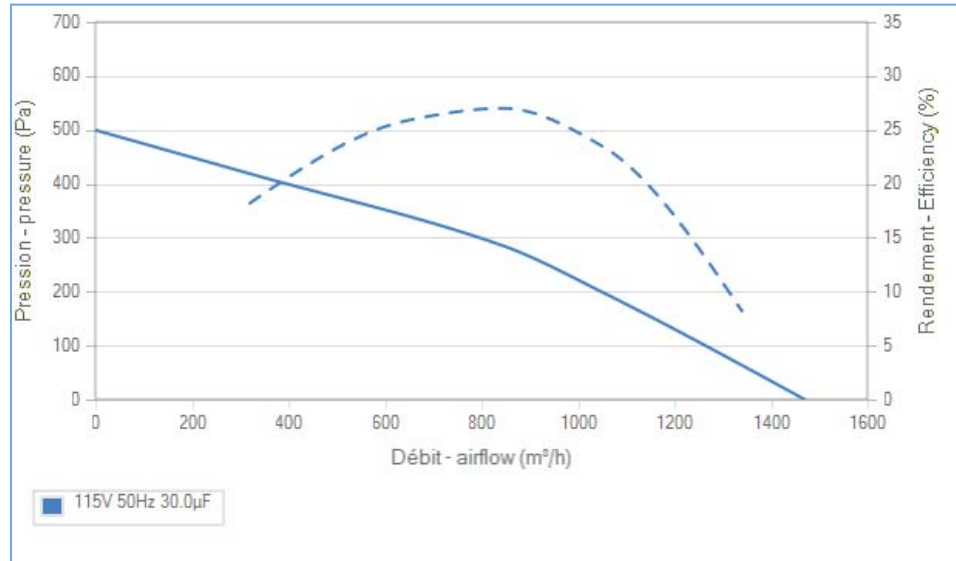
Documents

Manuel d'utilisation
www.ecofit.com/site/normes

Operating and recycling manual
www.ecofit.com/anglais/normes



UL2111 (XEW2,8)
N° file E135223
2RS945



Non contractual document. All specifications are subject to change without prior notice. Picture for information only.



2RREu45 250x56R (115V-Inv) C45-D2

DATA SHEET

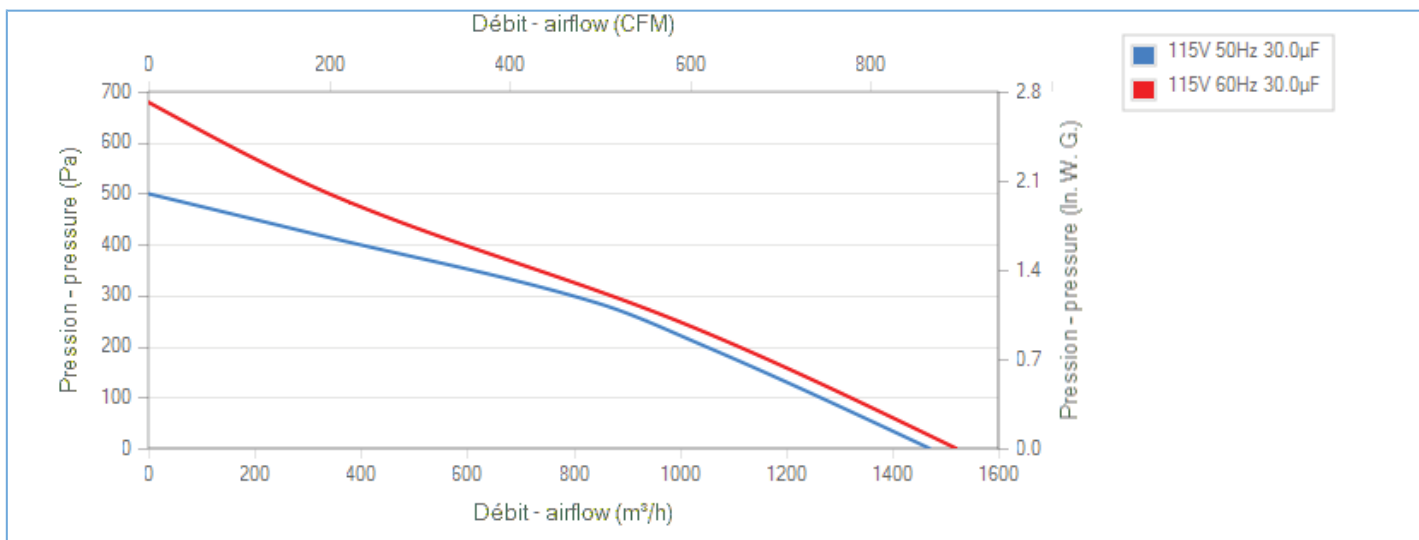
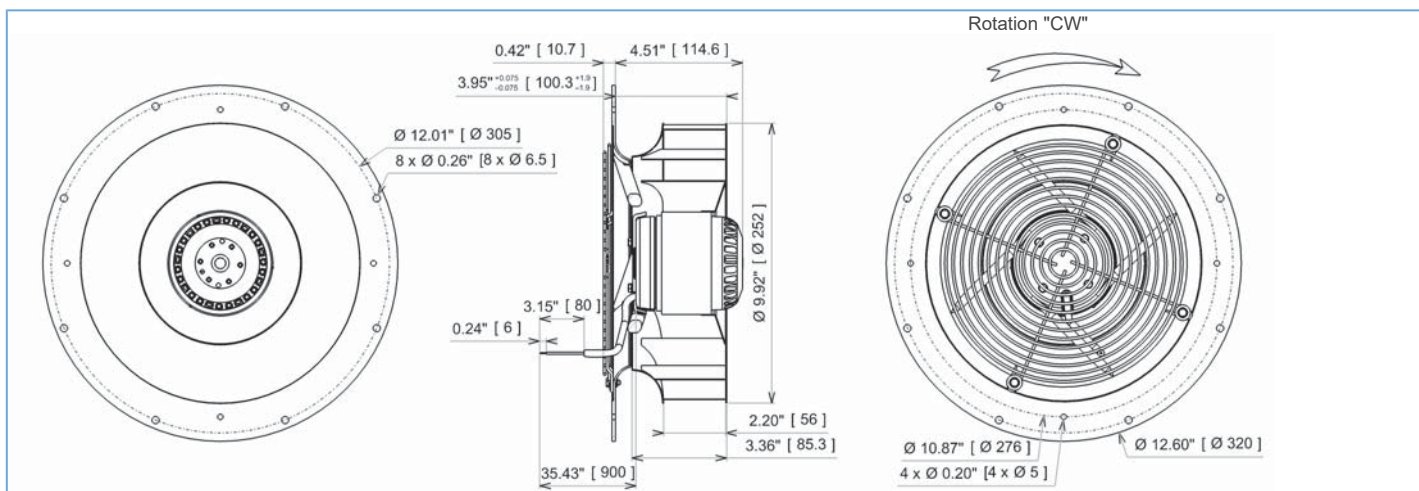
release. d - Revision 11-2015

Voltage	Frequency	Input Power	Input Current	Capacitor	Airflow	Rotation speed	Acoustic level	Direction rotation	Admissible Temperature
V	Hz	W	A	µF	m³/h	RPM	dBA		Min/Max
115	50	233	2,03	30,0	1470	2500	71	R	-40°C / +70°C
115	60	318	2,77	30,0	1520	2610	73	R	-40°C / +70°C
115	50				865 CFM				-40°F / 158°F
115	60				894 CFM				-40°F / 158°F



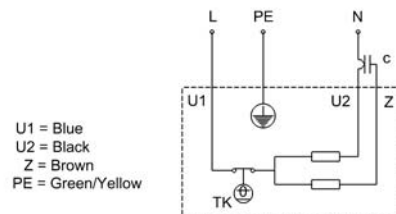
dBA : free blowing

ErP 2013 **NOK** ErP 2015 **NOK**



Description

- .Weight : 3,9 Kg
- .Ball bearing
- .Class F, thermally protected
- .IP44 protection depending on installation and position as per EN60034-5
- .G2.5 balancing
- .Rotor : black paint
- .Galvanized steel impeller
- .Black painted aluminium reversed-inletcone
- .Finger guard
- .Motor - UL Recognized component



Non contractual document. All specifications are subject to change without prior notice. Picture for information only.



2RREu45 250x56R (115V-Inv) C45-D2

DATA SHEET

release. d - Revision 11-2015

Data in accordance to ErP directive

Voltage	115	V
Frequency	50	Hz
Power	0,248	kW ⁽¹⁾
Airflow	845	m ³ /h ⁽¹⁾
Pressure	285	Pa ⁽¹⁾
Rotation speed	2393	RPM ⁽¹⁾

(1) at optimal efficiency point

For service use only in Europe according ErP directive EU 2009/125/EC

Accessories

19256

19256

Measurement setup

16192 M05-020 Ouie support moteur Ø184inter
Ø320ext moulée Alu NOIRE

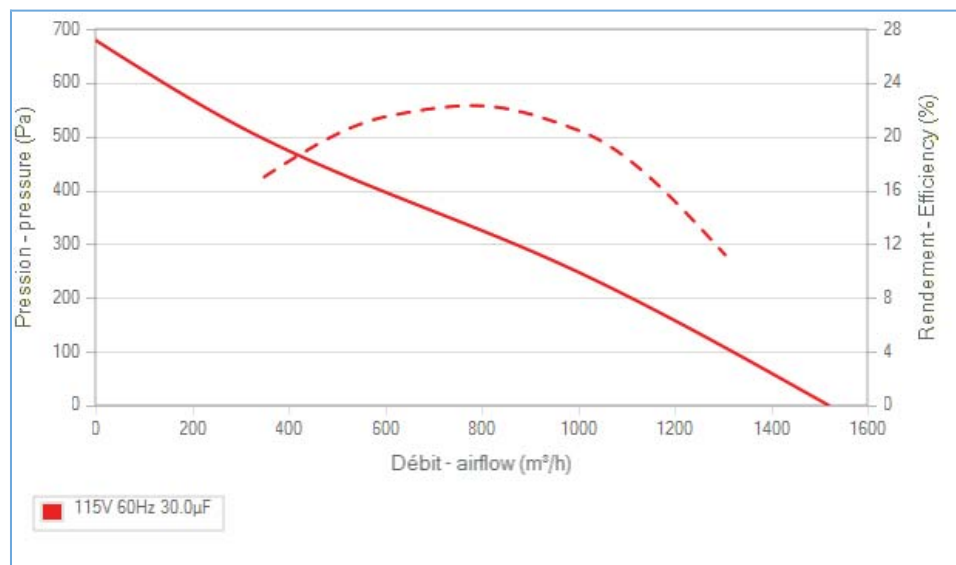
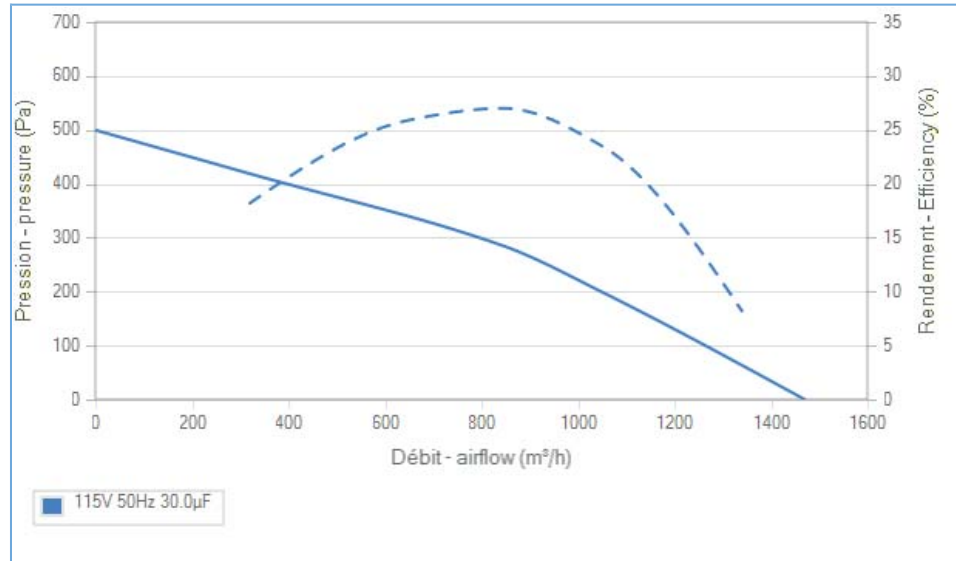
Documents

Manuel d'utilisation
www.ecofit.com/site/normes

Operating and recycling manual
www.ecofit.com/anglais/normes



UL2111 (XEWR2,8)
N° file E135223
2RS945



Non contractual document. All specifications are subject to change without prior notice. Picture for information only.



2RREu45 280x40R (Inv)

C36-B7

DATA SHEET

release. e - Revision 04-2017

Voltage	Frequency	Input Power	Input Current	Capacitor	Airflow	Rotation speed	Acoustic level	Direction rotation	Admissible Temperature
V	Hz	W	A	µF	m³/h	RPM	dBA	↻	Min/Max
230	50	215	0,97	7,0	1445	2625	77	R	-40°C / +70°C
230	60	282	1,23	7,0	1600	2895	80	R	-40°C / +70°C
230	50				850 CFM				-40°F / 158°F
230	60				941 CFM				-40°F / 158°F



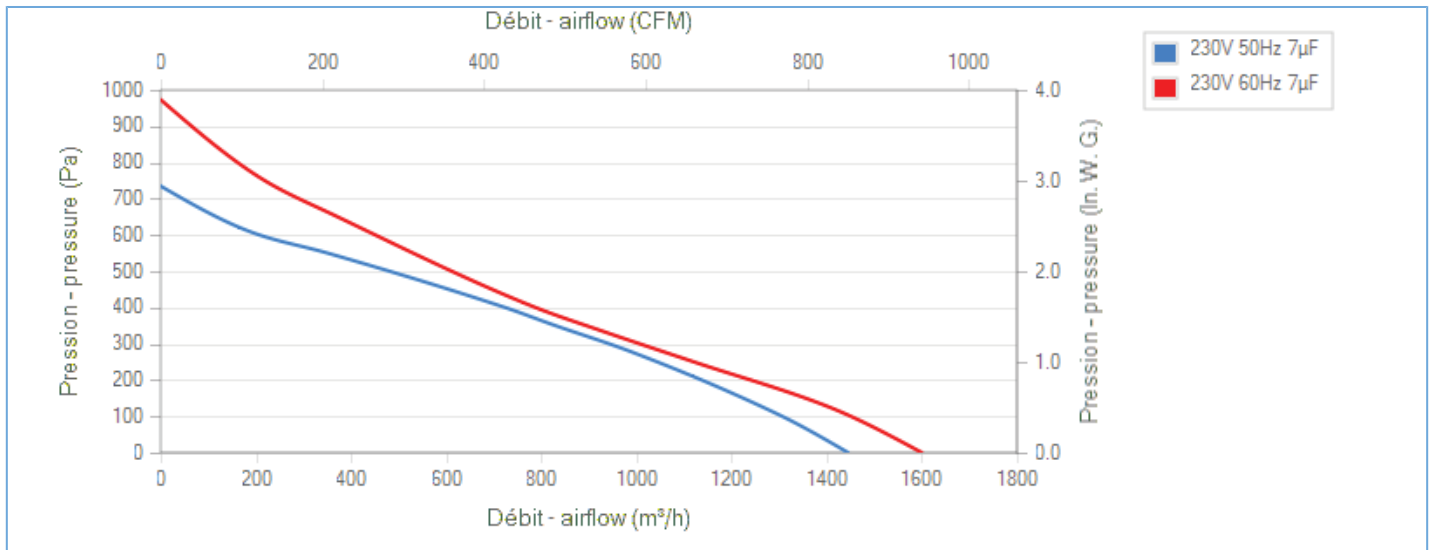
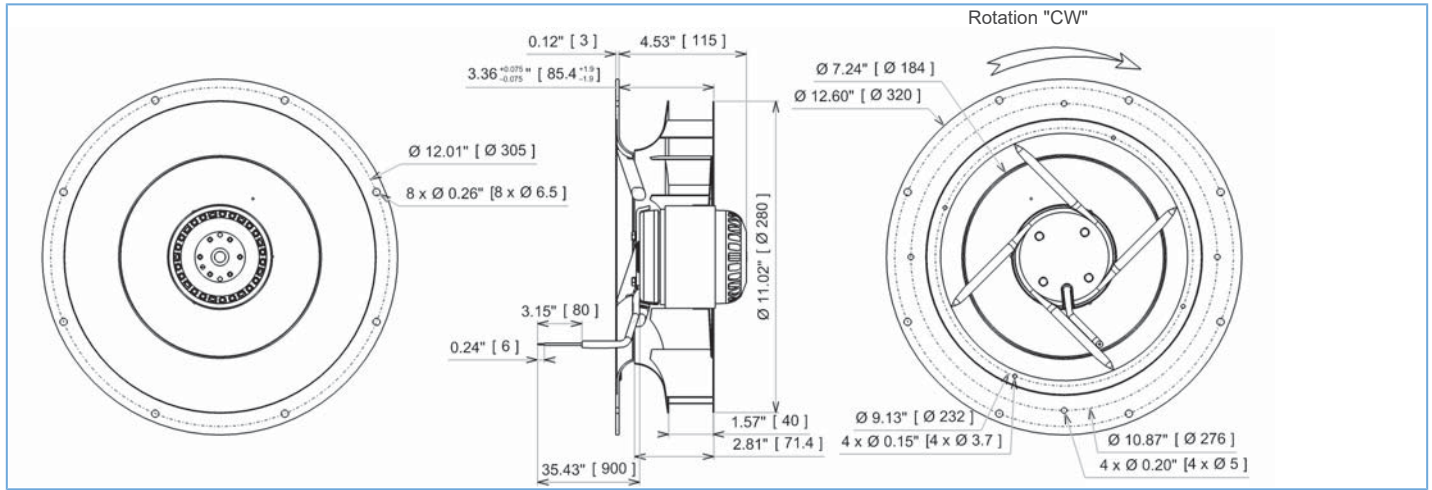
dBA : free blowing

ErP 2013

NOK

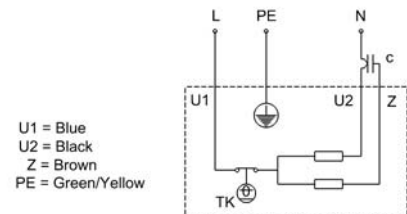
ErP 2015

NOK



Description

- .Weight : 4,5 Kg
- .Ball bearing
- .Class F, thermally protected
- .IP44 protection depending on installation and position as per EN60034-5
- .G2.5 balancing
- .Galvanized steel impeller
- .Rotor : black paint
- .Black painted aluminium reversed-inletcone
- .Motor - UL Recognized component



Non contractual document. All specifications are subject to change without prior notice. Picture for information only.



2RREu45 280x40R (Inv)

C36-B7

DATA SHEET

release. e - Revision 04-2017

Data in accordance to ErP directive

Voltage	230	V
Frequency	50	Hz
Power	0,266	kW ⁽¹⁾
Airflow	723	m ³ /h ⁽¹⁾
Pressure	400	Pa ⁽¹⁾
Rotation speed	2420	RPM ⁽¹⁾

(1) at optimal efficiency point

For service use only in Europe according ErP directive EU 2009/125/EC

Accessories

19227

19227

21360

Measurement setup

16192 M05-020 Ouie support moteur Ø184inter
Ø320ext moulée Alu NOIRE

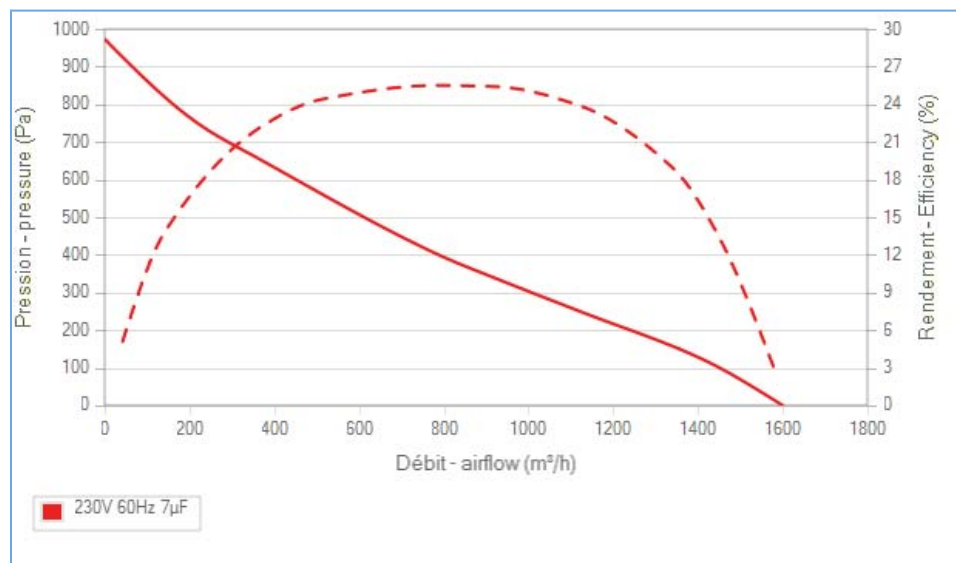
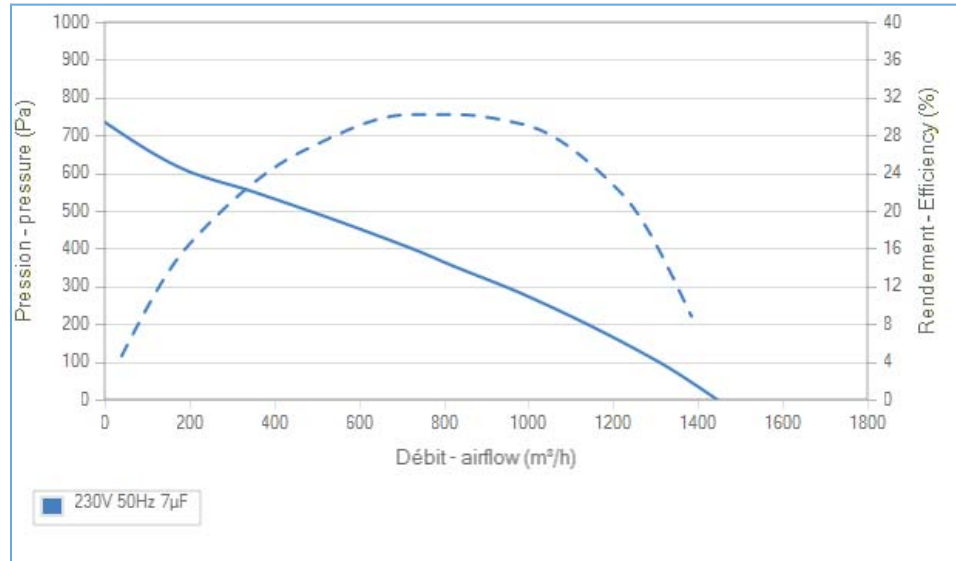
Documents

Manuel d'utilisation
www.ecofit.com/site/normes

Operating and recycling manual
www.ecofit.com/anglais/normes



UL2111 (XEW2,8)
N° file E135223
2RS945



Non contractual document. All specifications are subject to change without prior notice. Picture for information only.



2RREu45 280x40R (115V-Inv) C45-A9

DATA SHEET

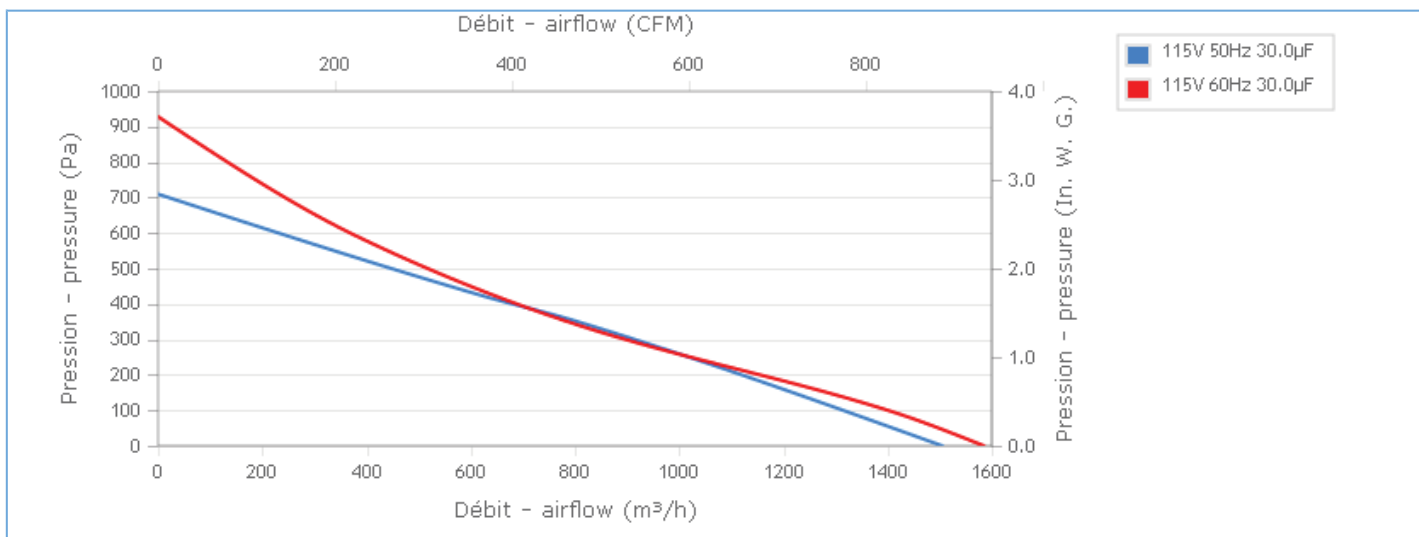
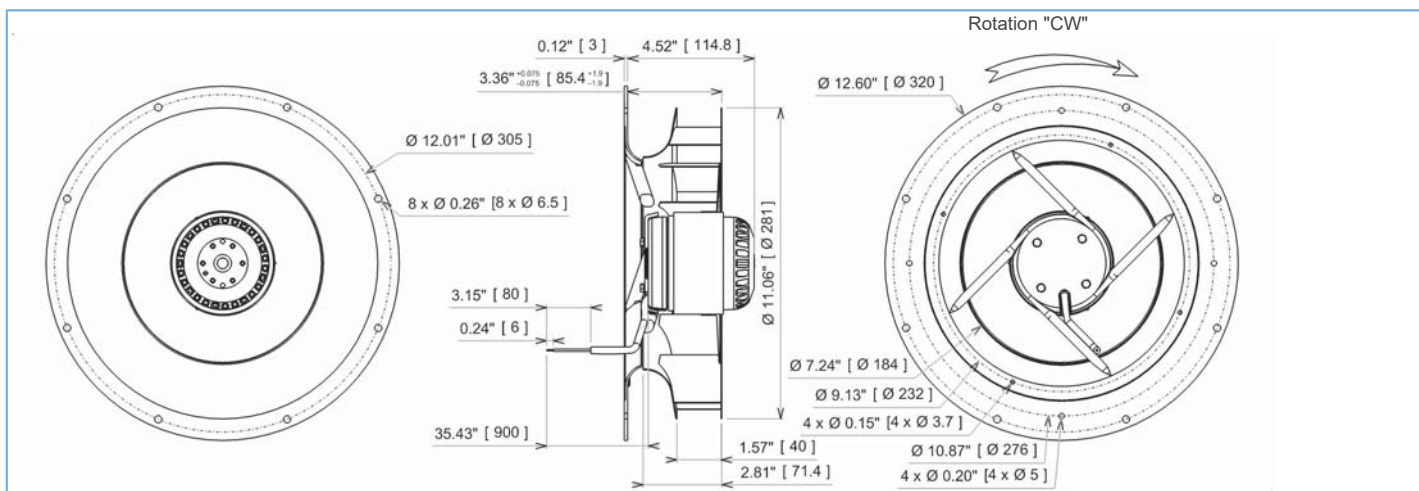
release. c - Revision 04-2017

Voltage	Frequency	Input Power	Input Current	Capacitor	Airflow	Rotation speed	Acoustic level	Direction rotation	Admissible Temperature
V	Hz	W	A	µF	m³/h	RPM	dBA	↻	Min/Max
115	50	214	1,87	30,0	1505	2575	77	R	-40°C / +70°C
115	60	304	2,67	30,0	1585	2800	79	R	-40°C / +70°C
115	50				885 CFM				-40°F / 158°F
115	60				932 CFM				-40°F / 158°F



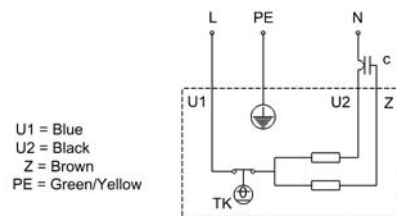
dBA : free blowing

ErP 2013 **NOK** ErP 2015 **NOK**



Description

- .Weight : 4,5 Kg
- .Ball bearing
- .Insulation Class F
- .IP44 protection depending on installation and position as per EN60034-5
- .G2.5 balancing
- .Galvanized steel impeller
- .Rotor : black paint
- .Black painted aluminium reversed-inletcone
- .Motor - UL Recognized component



Non contractual document. All specifications are subject to change without prior notice. Picture for information only.



2RREu45 280x40R (115V-Inv) C45-A9

DATA SHEET

release. c - Revision 04-2017

Data in accordance to ErP directive

Voltage	115	V
Frequency	50	Hz
Power	0,260	kW ⁽¹⁾
Airflow	800	m ³ /h ⁽¹⁾
Pressure	352,3	Pa ⁽¹⁾
Rotation speed	2362	RPM ⁽¹⁾

(1) at optimal efficiency point

For service use only in Europe according ErP directive EU 2009/125/EC

Accessories

19256

19256

21360

Measurement setup

16168 OUIE Di182 De320mm H12 GALVA

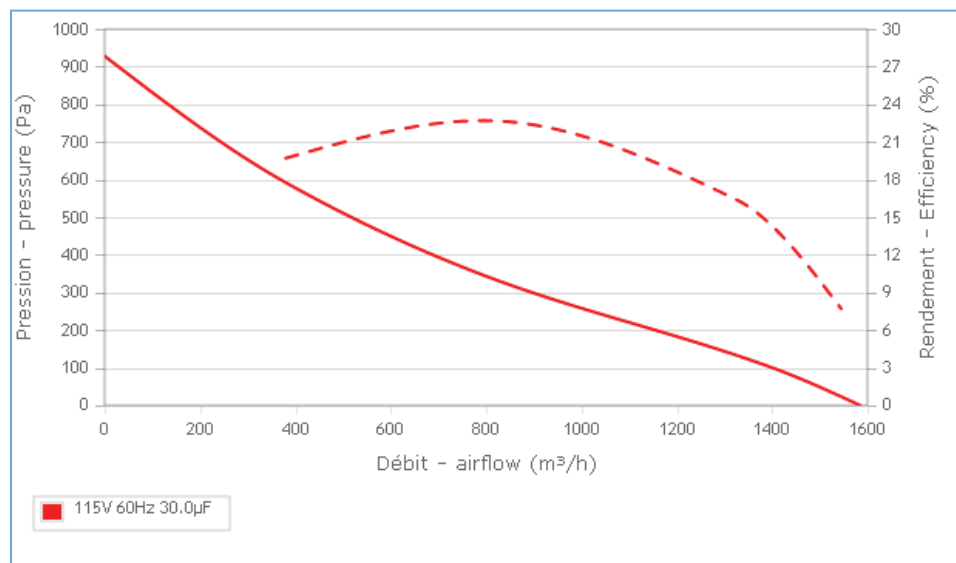
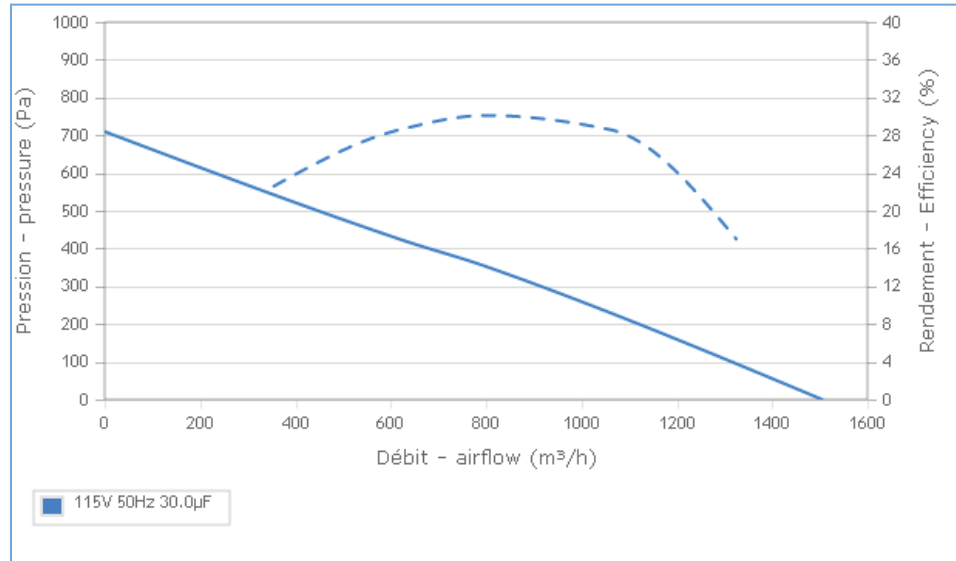
Documents

Manuel d'utilisation
www.ecofit.com/site/normes

Operating and recycling manual
www.ecofit.com/anglais/normes



UL2111 (XEWR2,8)
 N° file E135223
 2RS945



Non contractual document. All specifications are subject to change without prior notice. Picture for information only.



2RREu45 280x40R (115V-Inv) C45-D3

DATA SHEET

release. c - Revision 12-2015

Voltage	Frequency	Input Power	Input Current	Capacitor	Airflow	Rotation speed	Acoustic level	Direction rotation	Admissible Temperature
V	Hz	W	A	µF	m³/h	RPM	dBA		Min/Max
115	50	214	1,87	30,0	1505	2575	77	R	-40°C / +70°C
115	60	304	2,67	30,0	1585	2800	79	R	-40°C / +70°C
115	50				885 CFM				-40°F / 158°F
115	60				932 CFM				-40°F / 158°F

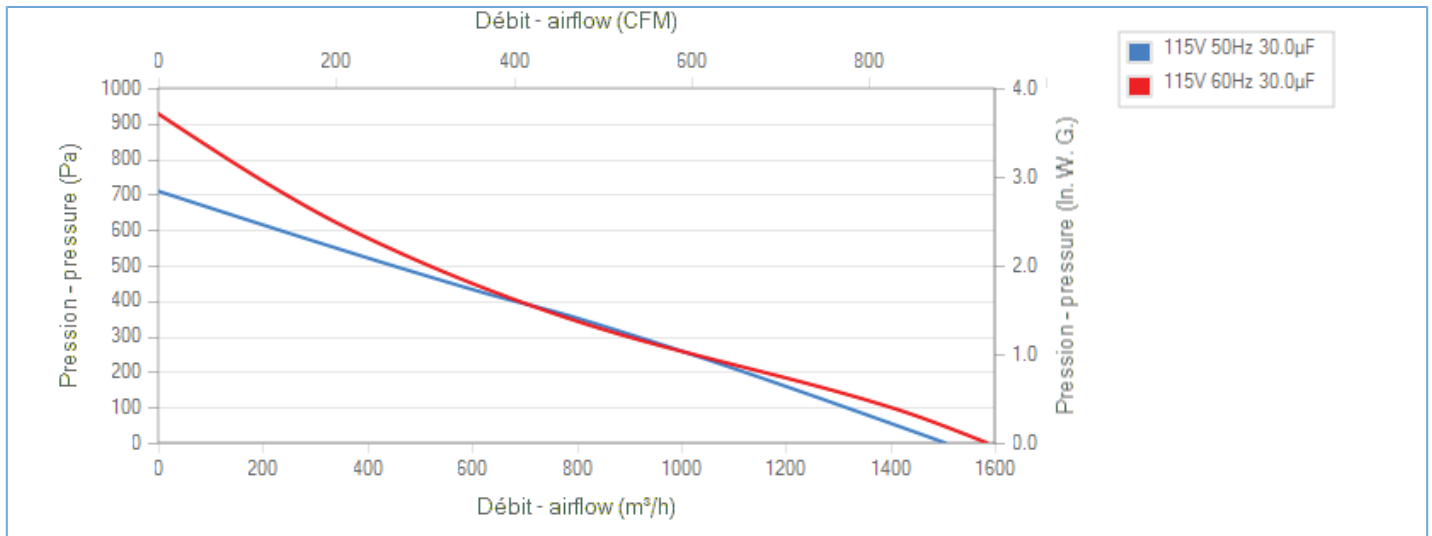
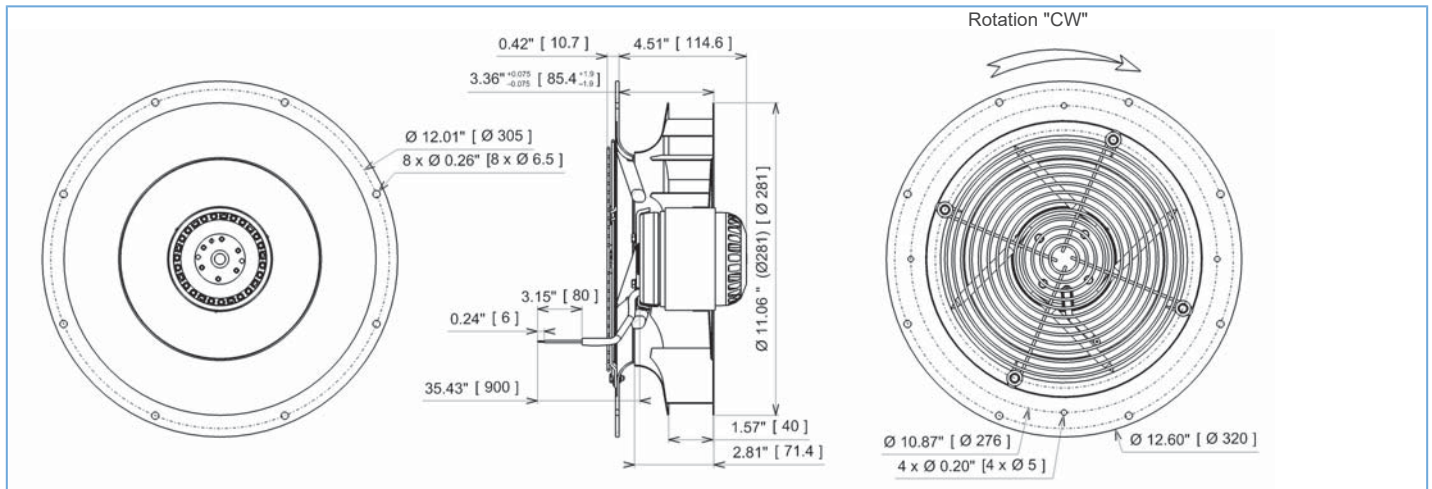


dBa : free blowing

ErP 2013

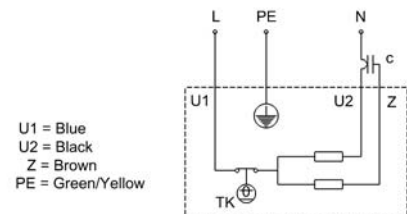


ErP 2015



Description

- .Weight : 4,5 Kg
- .Ball bearing
- .Insulation Class F
- .IP44 protection depending on installation and position as per EN60034-5
- .G2.5 balancing
- .Galvanized steel impeller
- .Rotor : black paint
- .Black painted aluminium reversed-inletcone
- .Finger guard
- .Motor - UL Recognized component



Non contractual document. All specifications are subject to change without prior notice. Picture for information only.



2RREu45 280x40R (115V-Inv) C45-D3

DATA SHEET

release. c - Revision 12-2015

Data in accordance to ErP directive

Voltage	115	V
Frequency	50	Hz
Power	0,260	kW ⁽¹⁾
Airflow	800	m ³ /h ⁽¹⁾
Pressure	352,3	Pa ⁽¹⁾
Rotation speed	2362	RPM ⁽¹⁾

(1) at optimal efficiency point

For service use only in Europe according ErP directive EU 2009/125/EC

Accessories

19256

19256

Measurement setup

16168 OUIE Di182 De320mm H12 GALVA

Documents

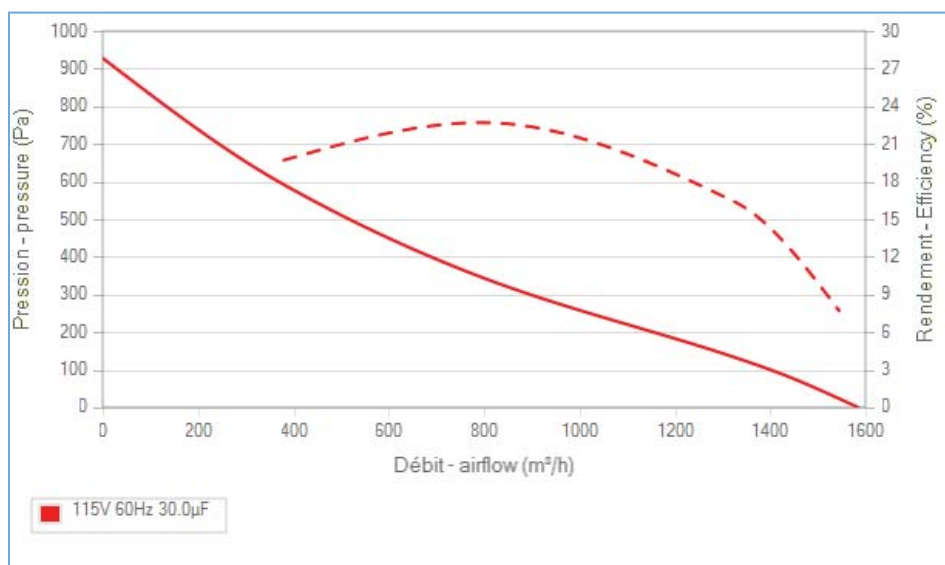
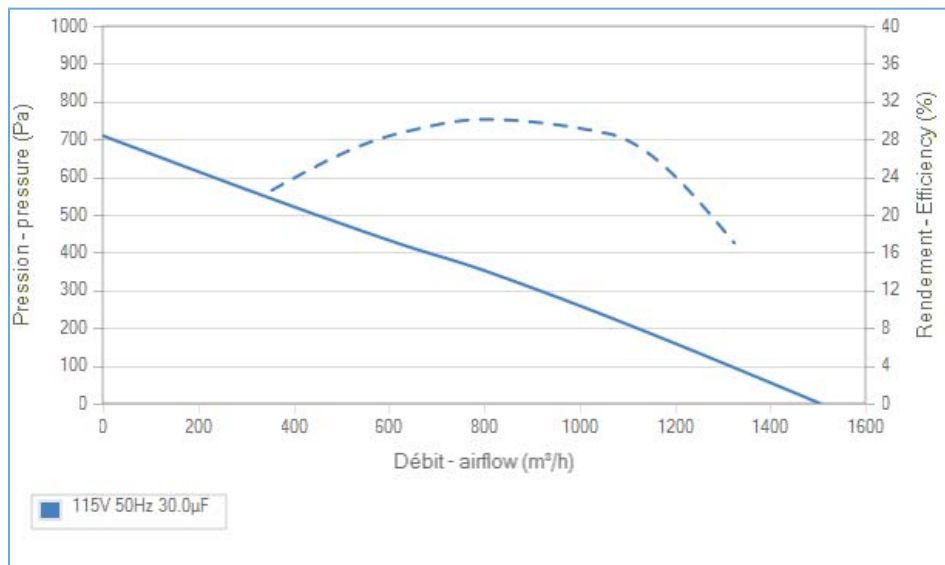
Manuel d'utilisation

www.ecofit.com/site/normes

Operating and recycling manual

www.ecofit.com/anglais/normes


UL2111 (XEW2,8)
N° file E135223
2RS945



Non contractual document. All specifications are subject to change without prior notice. Picture for information only.