

Centrifugal Fans
with forward curved impellers

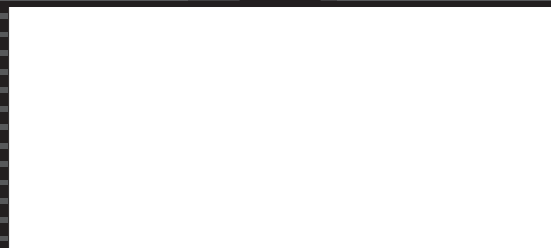
single inlet / double inlet

ROSENBERG FANS CANADA Ltd.
125 Traders Blvd. East, Unit#9
Mississauga, ON
L4Z 2H3 Canada
Ph. 905-502-0326
Fax. 905-502-0145

ROSENBERG USA
1010 Forsyth Avenue
Indian Trail, NC 28079
Ph. 704-893-0883
Fax. 704-882-0755



Please contact us:



Rosenberg USA

1010 Forsyth Avenue
Indian Trail, NC 28079

Ph: (704)893-0883
Fax: (704)882-0775

www.rosenbergusa.com
sales@rosenbergusa.com

Central Fans
with forward curved impellers



Serving North America with the highest quality **MOTORIZED IMPELLERS, FANS and BLOWERS**

We are proud to be a part of the **ROSENBERG** family of companies:



Rosenberg Ventilatoren GmbH (Kunzelsau, Germany)



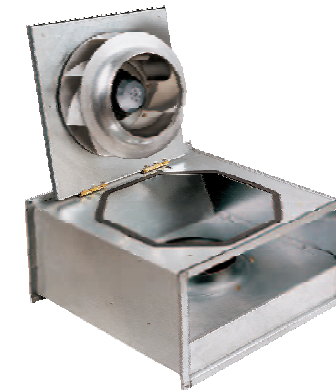
ECOFIT / ETRI S.A. (Vendome, France)

Our family of companies is supported by over 1.400 employees with state-of-the art R&D and manufacturing throughout the world. Rosenberg USA, with offices and warehouse in Indian Trail, NC, is uniquely qualified to service all your air handling applications:

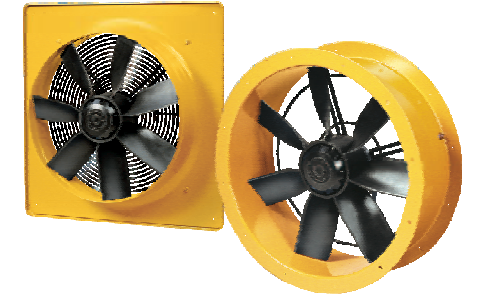
- Technical Expertise & Application Engineering
- Outstanding Customer Service
- Design Flexibility & Custom Fan/Motor Equipment
- Stock Fans for Immediate Shipment
- Full Line of Accessory Products & Controls
- Value Added Manufacturing & Fabrication



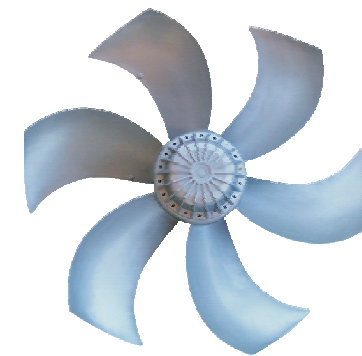
Radial Fans



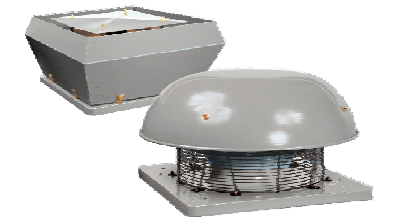
Axial Fans



Duct Fans



Roof fans



Axial Fans for cooling

Switches and Controllers





Rosenberg series Reference Code	2
ECOFIT series Reference Code	3
Technical description	
Casing	4
Impeller	4
Direction of Rotation	4
Motors	4
Motor Protection	4
Electrical Connection	5
Voltage Types	5
Speed Control	5
Protection against accidental contact	5
Information on safety of machinery	6
Advantages	6
Air performance curves	6
Noise levels	7
ECOFIT series description	8
Description of Performance Curve 60 Hz	9
Performance curves 60 Hz and Dimensions	
GRE / GDS / GDF (ECOFIT)	10
DRAE/D (casing with outlet flange)	20
DRAE/D (compact casing)	50
Wiring Diagrams	67

Rosenberg Reference Code

Current

D = double inlet
E = single inlet

R = centrifugal fan

A = external rotor motor

E = single phase A.C.

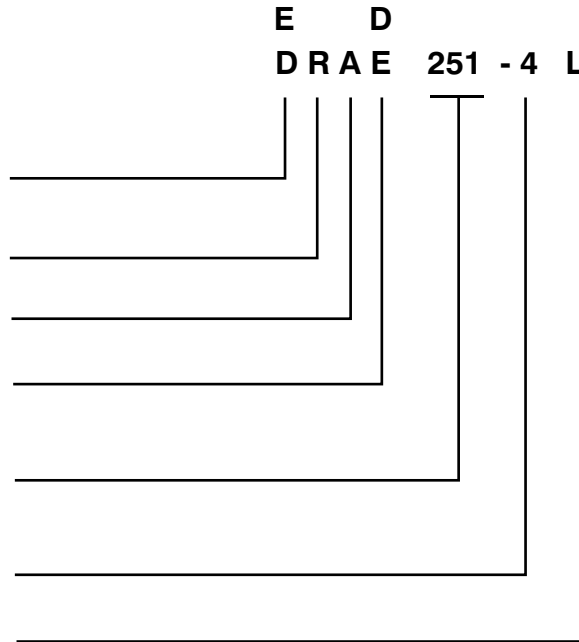
D = three phase A.C.

Impeller diameter

355 = 355mm (14 inches)

Number of poles

L = Larger casing width



Characteristics and Construction

The high efficient centrifugal fans have been specially developed for modern ventilation and air conditioning applications and are ideal for the movement of air and non-aggressive gas and vapours.

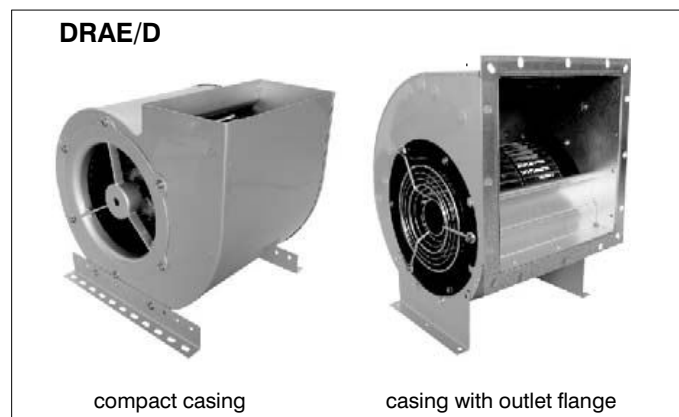
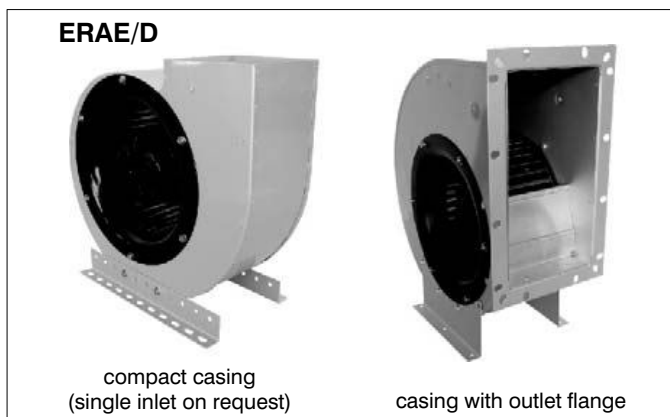
They are mainly used in air handling units, hygienic units, clean room filter units.

They find further application in the cooling of electrical motors and generators (e.g. in wind parks), ventilation of switch cabinets, air conditioning (e.g. in trains).

A high power density with a very compact design is provided by the combination of forward curved wheel and external rotor motor.

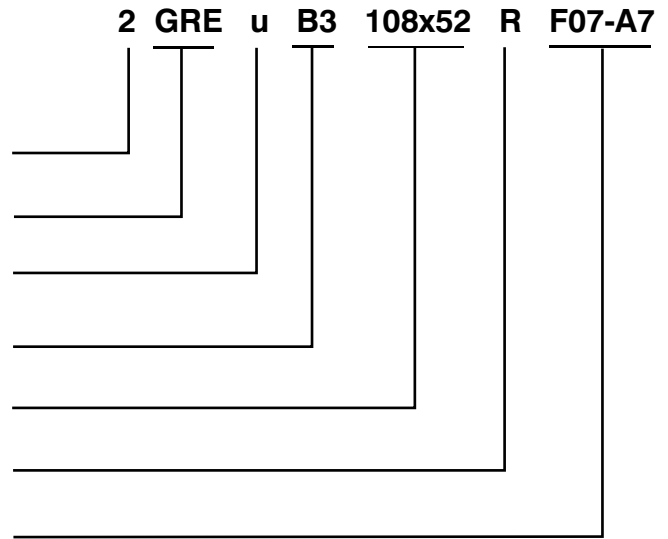
The following design models are available:

- ERAE/D: single inlet centrifugal fan
- DRAE/D: double inlet centrifugal fan



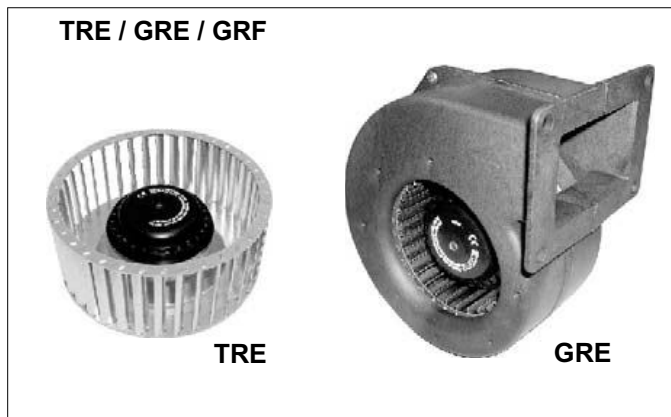
ECOFIT Reference Code

- Number of poles
- Type of impeller
- Class F standard UL
- Stator
- Impeller
- Rotation direction
- Part number



Presentation

The range presented in this catalogue consists of single inlet centrifugal impellers (TRE), single inlet centrifugal fans in steel scroll (GRE - GRF) and double inlet centrifugal fans (GDS - GDF). In response to your specific needs, the airflow, power, rotational speeds (multispeed by windings or by controllers), noise level, overall dimensions and finish... of the fans can be specifically defined according to your requirements. Try out and appreciate our responsiveness . Consult us right from the beginning of your design.



Casings



The casings of the high efficiency centrifugal fans are made of galvanized sheet metal. The side parts are produced with nut sets to fix the mounting brackets, which can be fixed in steps of 90°.

Epoxy coating on request.

ECOFIT series : steel painted black or plastic scroll.

Impellers



The impellers with 38-42 forward curved blades are made of galvanized sheet metal. They are mounted directly to the external rotor motor.

ECOFIT series : galvanised steel or plastic impeller.

The impellers are statically and dynamically balanced together with the external rotor motor according to quality level G2,5 DIN ISO 1940.

Direction of rotation

Direction of rotation for fan types ERA is clockwise viewed from the inlet side, but for fan types DRA it is anti-clockwise viewed from the cable outlet

Caution: Low air volume at wrong direction of spin!

ECOFIT series : direction of rotation is indicated in the catalogue on each datasheet.

Motors



Rosenberg external rotor motors are manufactured in protection class IP54.

ECOFIT external rotor motors are manufactured in protection class IP44 or IP54 for GDF.

The winding insulation corresponds to insulation Class F (UL - approved).

Bearings are deep groove ball type in sealed housing. Special grease lubrication provides maintenance-free operation, low-noise and extended life.

ECOFIT series : ball bearings closed on both sides are used. Special grease lubrication provides maintenance-free operation, low-noise and extended life.

Motor protection

All motors are equipped with thermal contacts, wired in series. Thermal contacts are temperature dependent control elements, sensing the winding temperature of the motor. These contacts protect the motor windings from overload, failure of a mains phase, standstill of the motor and of high temperature rise to the medium ventilated. In addition to the mounted thermal contacts we recommend the use of our motor protection control units.

Rosenberg also offers 5-step speed controllers, RTE and RTD.

Motors are equipped with the motor protection in connection with thermal contacts. An additional motor protection switch is not required.

Electrical connection	<p>The nominal voltage given on the nameplate provides maximum allowable voltage tolerance of $\pm 10\%$. Flying leads are standard. The connection ends are 10 cm (4 inches) dismantled and equipped with end splices. Standard cable length is 68 cm (27 inches) Special cable lengths are available on request. ECOFIT motors : refer to drawings.</p>
Voltages types	<p>For single phase operation, motors are available for 115V, 208/230V and 277V. All 230V motors could also be used at 1~230V, 50Hz. For three phase operation, motors are available for 208V / 230VD // 460V Y. 575V and other special voltages are available on request.</p> <p>Please reference 60Hz-curves:</p> <ul style="list-style-type: none"> - Standard three phase motor can be used at 460V (Star connection) and 230V (Delta connection). In Delta connection the motors are also suitable for 208V 3~ power supplies). - The performance curves show that the 230VD performance is a little less than the 460VY performance. <p>The standard three phase motors could also be used at 400V Y, 50Hz.</p> <p>ECOFIT series : for single phase operation, motors are available for 115V, 60Hz. Most of them are usable on 50Hz (refer to drawings).</p>
Speed control	<p>Speed control can be provided for fans that demand optimal adjustment of the operation point. Speed control is obtained by “Voltage Control” and “Frequency Control”, as described below.</p> <p>Voltage control</p> <p>The speed control is provided by reduction of the terminal voltage. If the voltage will be reduced the speed of the motor decreases and the air volume flow sinks in proportion with the speed. The matching voltage controllers can be provided on request.</p> <p>Frequency control</p> <p>All voltage controllable fans for three-phase power supplies can also be speed controlled by frequency converter from 60Hz downwards. The speed control is realized by reduction of the power supply frequency. At higher frequencies than 60Hz the motor will be thermally overloaded.</p> <p>With operation of the motors on a frequency controller the maximum speed of voltage increase of 500V /μs must not be exceeded. According to the frequency converter type and the length of the cable between motor and frequency converter additional components must be planned. Please refer to the operation manual of the frequency converter.</p>
Protection against accidental contact	<p>The fans are constructed for installation within applications. We do not include guards of any kind as a part of our standard product offering. Please contact your Rosenberg representative for accessory information.</p> <p>Before initial operation all required protection components must be installed and connected. Adherence to all electrical and safety codes, including National Electric Codes (NEC), National Fire Protection Association (NFPA) standards and Occupational Safety and Health Act (OSHA) should be followed and are responsibility of the customer. All electrical connections should be performed only by qualified personnel.</p>

Information on safety of machinery

Rosenberg radial fans are usable machines according to the EC Council Directive on Machinery. They are marked with a CE label and delivered with a declaration of conformity.

The dangers of the fan as well as necessary technical measures of safety are judged according to the VDMA standard sheet number 24167: Fans, demands of safety.

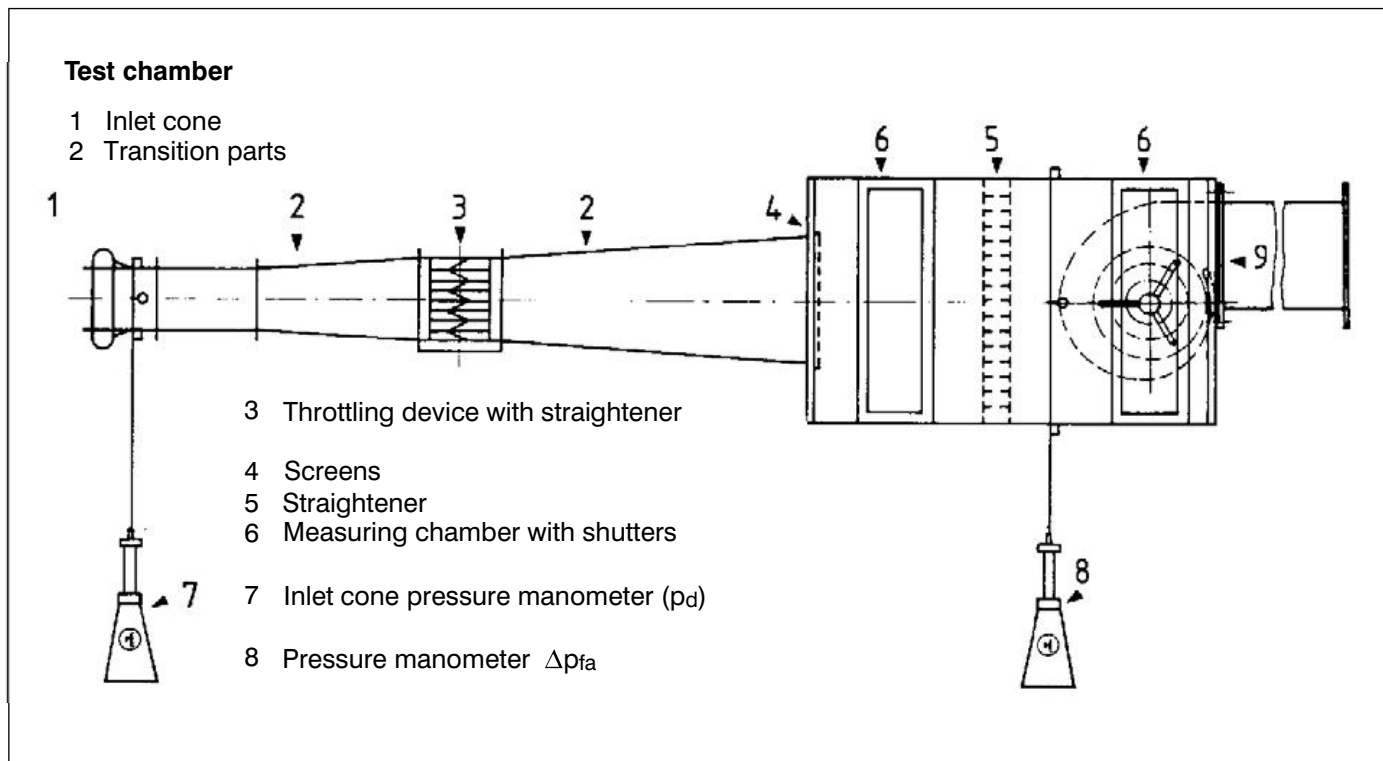
The operation manual contains additional measures of safety to be realized on site to make the fan match the EC Council Directive on Machinery 98/37/EC.

Advantages of Rosenberg high efficient centrifugal fans:

- Compact and space saving design with external rotor motor drive and high performance forward curved impeller
- Low for maintenance direct drive fans (no belt wear or belt replacement necessary)
- Various control possibilities
- Customers requirements can be met without problems
- Easy installation in any position
- Extremely low starting currents
- Motor protection through thermal contacts in motor winding

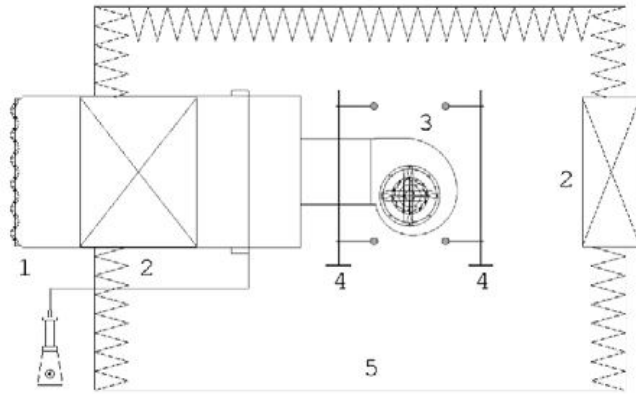
Air Performance Curves

The air performance curves have been established using the inlet test method in the test chamber as shown below according to German standard DIN 24163. They are valid for air with a density of 0.075 #/ft^3 with a temperature of 68°F . The performance curves were made in mounting position A (free inlet, free outlet) and show the pressure increase, available on inlet side, p_{fa} as a function of the volume.



Noise levels

The tests and their performance curves were made according to DIN 45635, part 38, according to the envelope surface method, after collection several test points by a cube shaped test area.



- 1 shutter door
- 2 sound attenuator
- 3 test sample
- 4 measurement arrangement
- 5 acoustic measuring room with reflecting floor

The characteristic diagram shows the “A” decibel Sound Power level $L_{W(A)}$. This corresponds to the free-outlet sound power level $L_{W(A)6}$.

The free inlet sound power level $L_{W(A)5}$ can be obtained by the relative sound power level or according to following calculation:

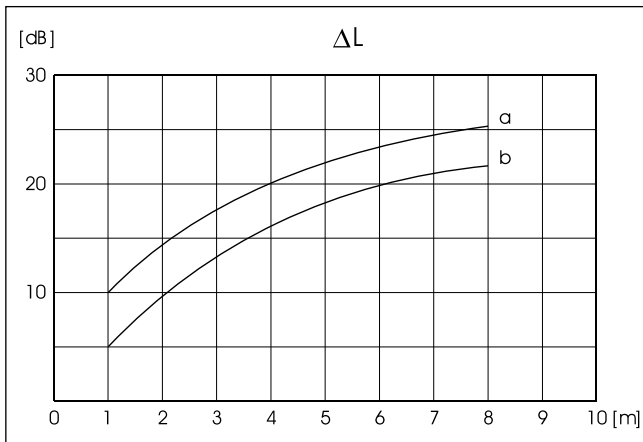
$$L_{W(A)5} = L_{W(A)} - 3 \text{ dB(A)}$$

For the exact determination of the sound protection measures the sound power level of the octave bands are important.

$$L_{W\text{oct}} = L_{W(A)} + L_{w\text{rel}}$$

DRAE ; DRAD	LWA_{rel} A-weighted at $V = 0,5 * V_{\text{max}}$							
fM [Hz]	125	250	500	1000	2000	4000	8000	Hz
Outlet side 4-pole	-21	-13	-8	-4	-7	-8	-15	dB
Inlet side 4-pole	-18	-13	-10	-5	-4	-10	-16	dB

ERAE ; ERAD	LWA_{rel} A-weighted at $V = 0,5 * V_{\text{max}}$							
fM [Hz]	125	250	500	1000	2000	4000	8000	Hz
Outlet side 4-pole	-23	-10	-8	-4	-7	-9	-16	dB
Inlet side 4-pole	-19	-11	-11	-5	-5	-8	-14	dB



The expected sound pressure level on the outlet side can only be approximately determined as the ambient influences can lead to strong deviations.

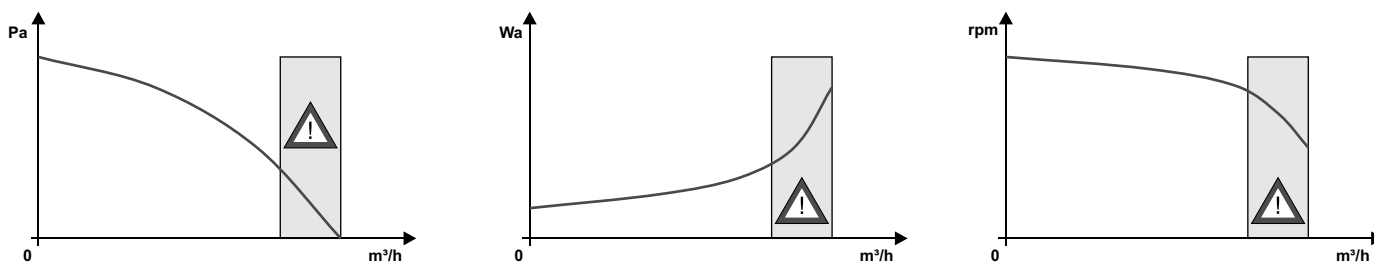
$$L_{P(A)} = L_{W(A)} - D L$$

a= without reflections

b= with reflections

ECOFIT series

Conditions of use



Centrifugal fans with forward-curved impeller blades demand maximum motor power at maximum air flow rate and zero static pressure. Certain fan models have minimum pressure levels below which their motors will over-heat. Performance curves then terminate at minimum permitted pressure.

Impellers with forward-curved blades must be used with the scroll housing and inlet ring recommended by ECOFIT in order to obtain the performance levels declared within this catalogue. Modifications to scroll or inlet will affect fan performance. If the scroll and inlet are part of an appliance, they must be of the same shape and size as the ECOFIT standard, or otherwise approved by ECOFIT.

Inlet rings and finger guards are available upon request.

ECOFIT motors are speed controllable by voltage variation, but where electronic controllers are used they must be designed for electric motor duty and be compatible with ECOFIT products.

Capacitors must be of the "motor run" type and be of the recommended value, voltage rating, and life expectancy.

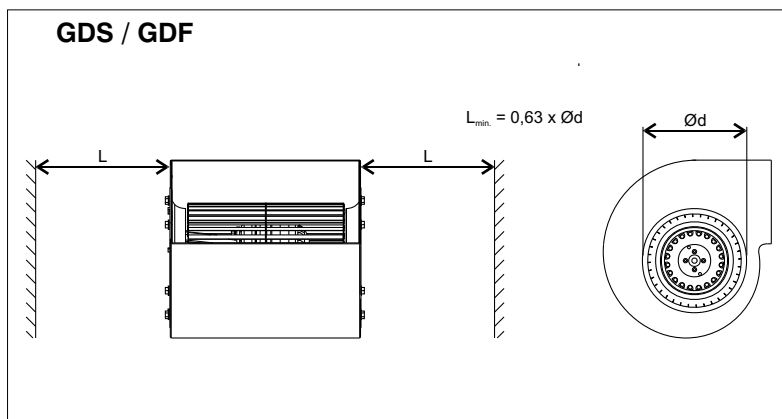
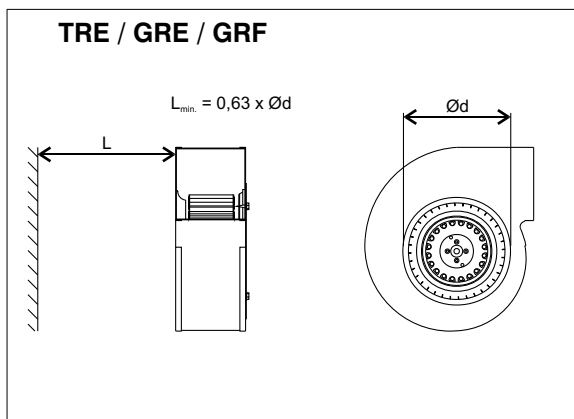
The purchaser must test for motor total temperature in the application, with the worst operating conditions for the motor. ECOFIT should then validate the test results.

Noise level

The tabulated overall sound levels are to NF S31-026 standard and are expressed as 'A' weighted acoustic pressure, measured one meter from the air inlet.

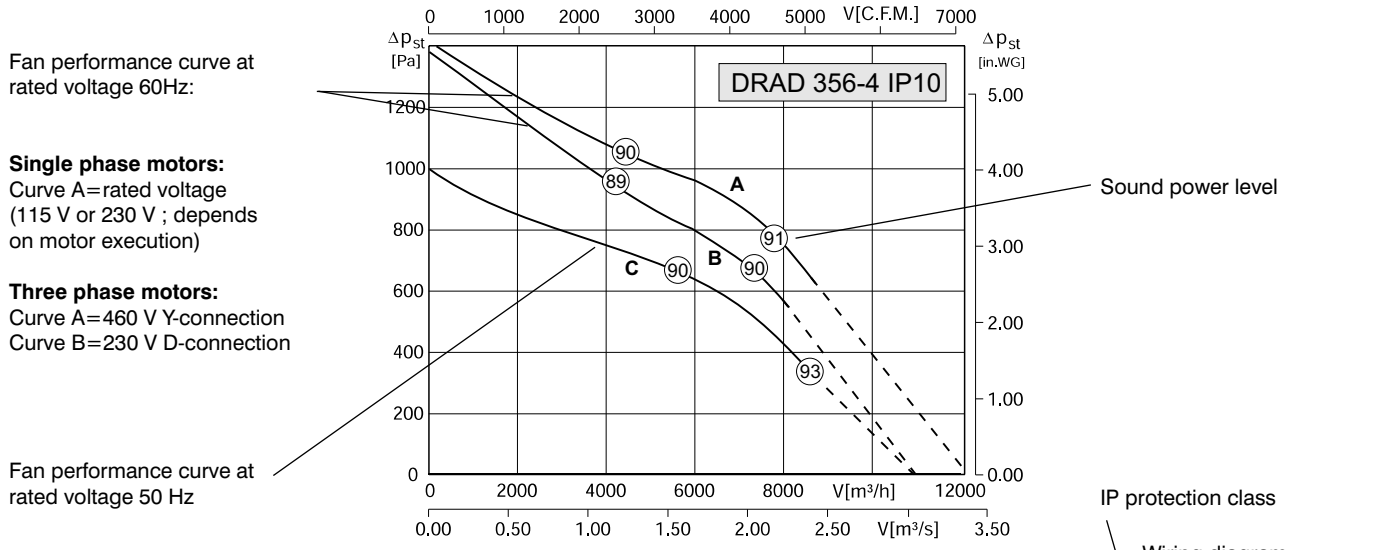
Life expectancy

The ECOFIT motors and fans described in this catalogue are fitted with ball bearings for use in any mounting attitude. L10 life expectancy is between 30000 and 50000 hours, depending on the application and ambient condition.



Performance Curves

The performance curves indicate the static pressure increase ΔP_{st} as a function of the volume flow. The performance curves refer to an air density of 0.075 kg/ft³.



Fan performance curve at rated voltage 60Hz:

Single phase motors:
Curve A= rated voltage (115 V or 230 V ; depends on motor execution)

Three phase motors:
Curve A=460 V Y-connection
Curve B=230 V D-connection

Fan performance curve at rated voltage 50 Hz

Sound power level

IP protection class

Wiring diagram

Weight

Information:

Every three phase motor can be used at 460 V (Star connection) and 230 V (Delta connection). The performance curves show that the 230VD (curve B) performance is a little less than the 460VY (curve A) performance. In Delta connection the motors are also suitable for 208V 3~ power supplies.

Type	U [Volt]	f [Hz]	Curve	P _i [kW]	I _n [A]	n [min ⁻¹]	t _r [°F]	t _r [°C]	C [μF]	ΔI [%]	I _A /I _N	▲	✳	Ⓢ [kg]
DRAE 181-4	1~115	60	A	0.23	2.10	960	158	70	16	-	1.1	54	01.025	10
DRAE 181-4	1~230	60	A	0.23	1.05	960	158	70	4	-	1.1	54	01.025	10
DRAE 181-4	1~230	50	B	0.20	0.90	1060	158	70	4	-	1.5	54	01.025	9.7

Technical Information

	Designation	Unit
U	Rated voltage	V
P _i	Motor input power consumption	kW
I _N	Rated current	A
n	Fan speed	min ⁻¹
t _R	Max. permissible medium temperature	°C / °F
L _{w(A)}	A-rated sound power level	dB(A)
DI	Current increase in component voltage	%
I _A /I _N	Ratio of starting current to rated current	-

Information of the dimensions in inch and mm!

High Efficiency Radial Fans

with forward curved radial impellers

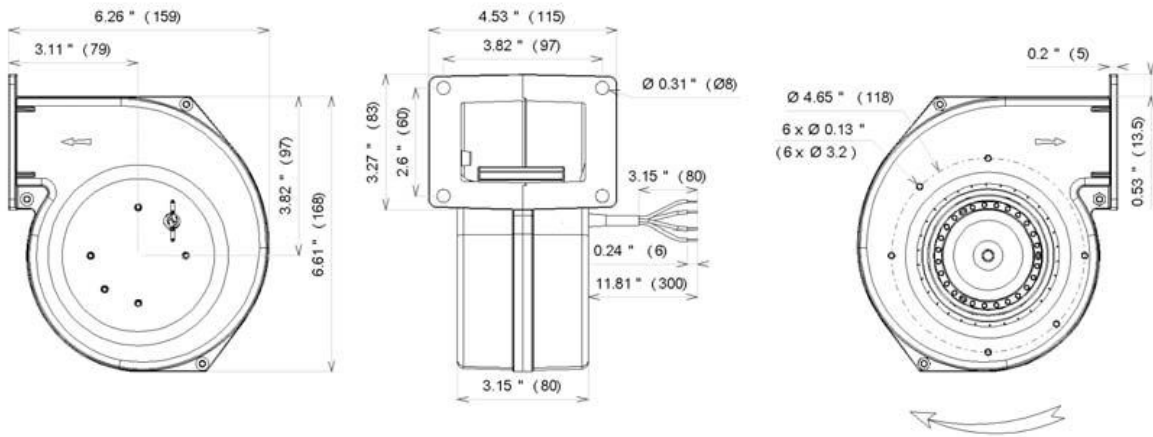


Advantages:

- The speed is 0-100% adjustable using auto transformers or electronic control
- Easy air volume adjustments via a large range of control products based on pressure and temperature
- Compact and space saving design
- Easy installation in many positions
- Extremely low starting currents
- Motor protection by thermal contacts in motor windings

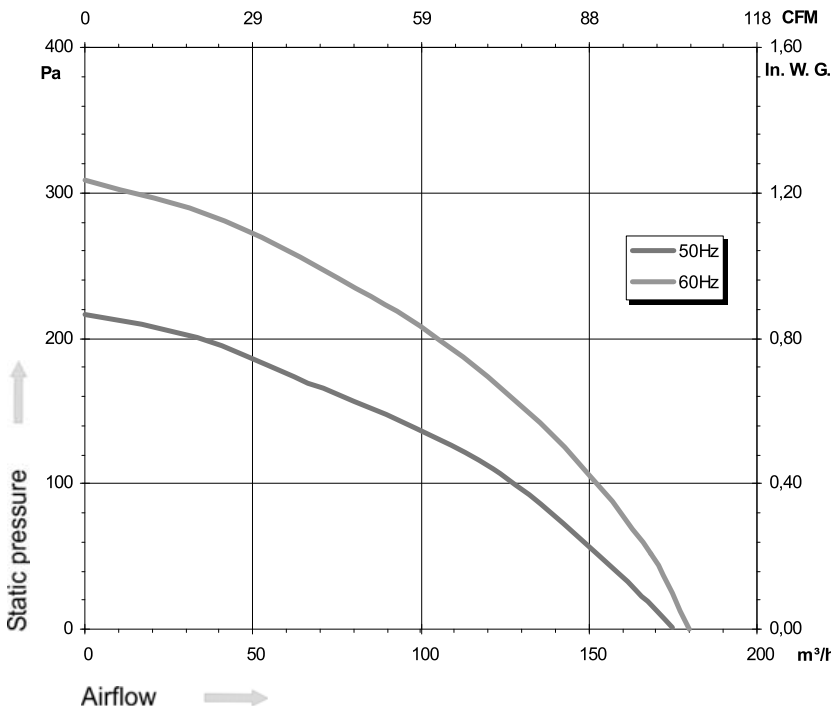
2GREuB3 108x52R P/N F07-A7

Voltage	Frequency	Input power	Current	Capacitor	Airflow	Speed rotation	Noise level	Rotation direction	Operating temperature
V	Hz	Wa	A	µF	m³/h	RPM	dBA	↻	Min / Max
115	50	44	0,39	4,0	175	2 150	50	R	-40°C / +70°C
115	60	48	0,42	4,0	180	2 270	51	R	-40°C / +70°C
115	50				103 CFM				-40°F / +158°F
115	60				105 CFM				-40°F / +158°F

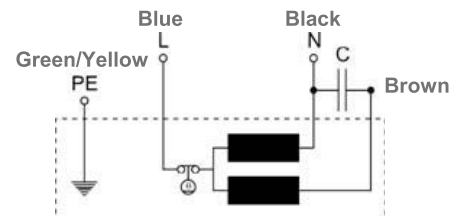


Rotation "CW"

- Weight : 1,2 Kg
- Ball bearing
- Class F, thermally protected
- IP44 protection
- G2.5 balancing
- Galvanized steel impeller
- Rotor : black paint
- PA6/6 UL94 V-0 plastic scroll housing
- UL approved motor



Capacitor for 50Hz	Capacitor for 60Hz	Finguer guard	Inlet cone
19220	19220	21367	16203

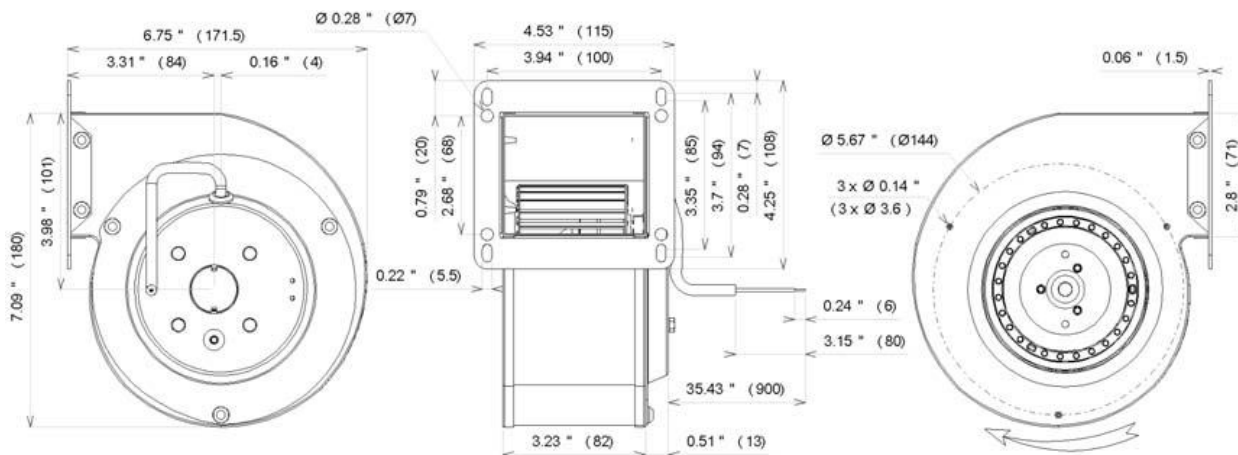


Non contractual document. All specifications are subject to change without prior notice. Picture for information only.

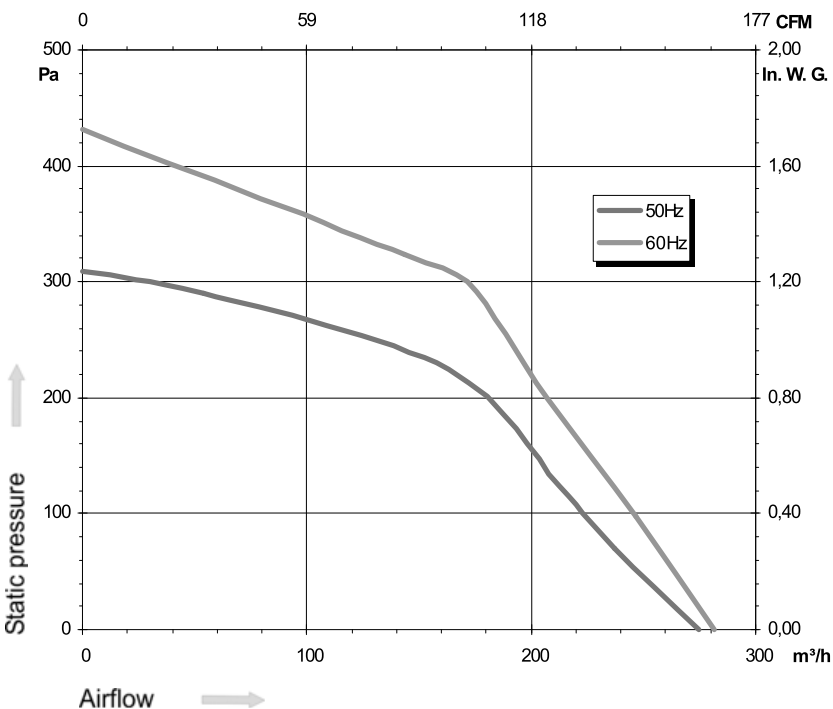
Ind. b - Revision : 04-2007

2GREu15 120x62R P/N C48-A5

Voltage	Frequency	Input power	Current	Capacitor	Airflow	Speed rotation	Noise level	Rotation direction	Operating temperature
V	Hz	Wa	A	µF	m³/h	RPM	dBA	↻	Min / Max
115	50	69	0,64	6,0	275	2 040	53	R	-40°C / +70°C
115	60	83	0,76	6,0	282	2 000	53	R	-40°C / +70°C
115	50				161 CFM				-40°F / +158°F
115	60				165 CFM				-40°F / +158°F



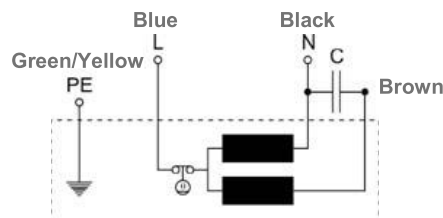
Rotation "CW"



- Weight : 1,8 Kg
- Ball bearing
- Class F, thermally protected
- IP44 protection
- G2.5 balancing
- Galvanized steel impeller
- Rotor : black paint
- Scroll housing : black paint
- UL approved motor



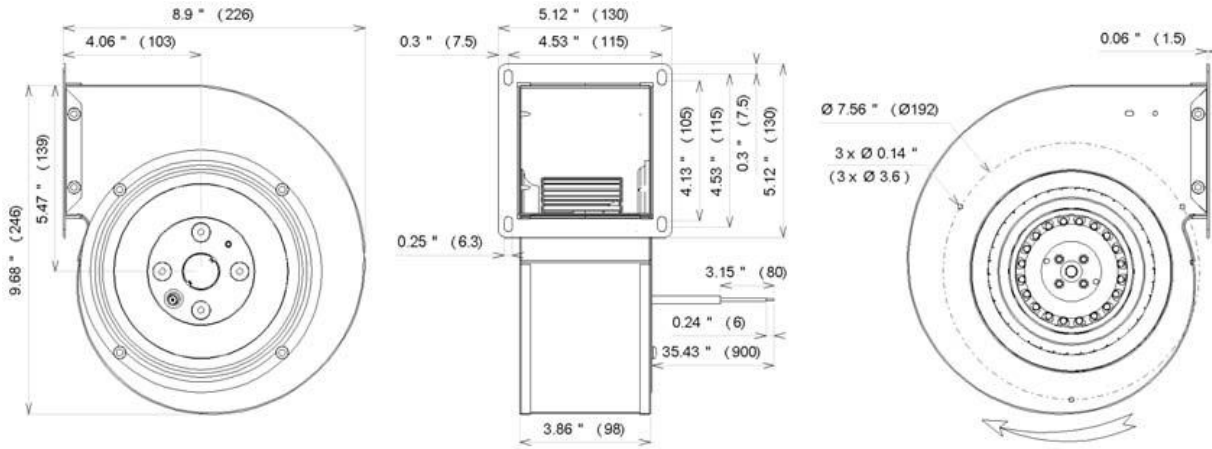
Capacitor for 50Hz	Capacitor for 60Hz	Finguer guard	Inlet cone
19221	19221	21236	16104



Non contractual document. All specifications are subject to change without prior notice. Picture for information only.

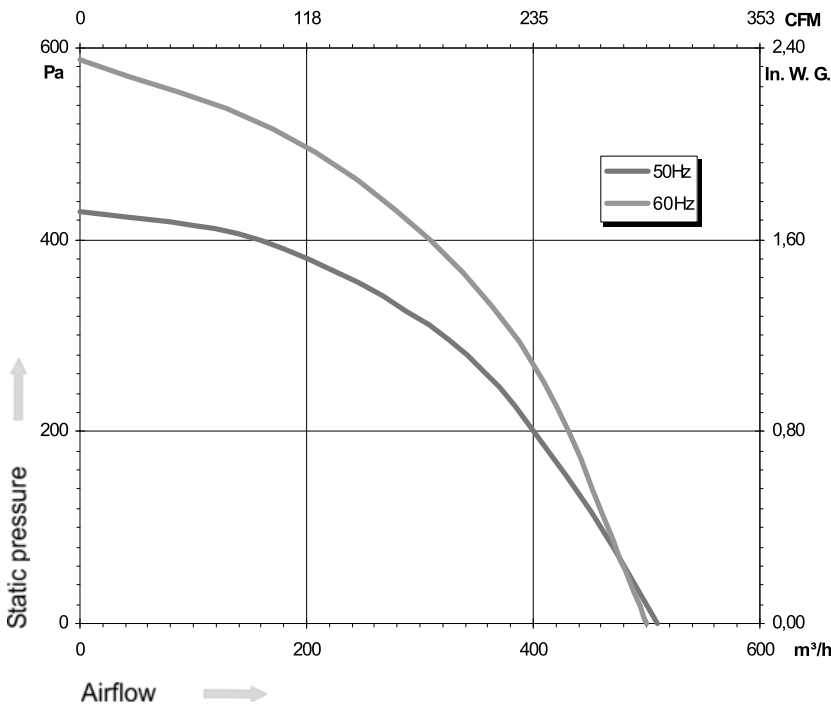
2GREu25 140x59R P/N C48-A9

Voltage	Frequency	Input power	Current	Capacitor	Airflow	Speed rotation	Noise level	Rotation direction	Operating temperature
V	Hz	Wa	A	µF	m³/h	RPM	dBA	↻	Min / Max
115	50	182	1,59	16,0	510	2 210	61	R	-40°C / +70°C
115	60	219	1,91	16,0	500	2 135	61	R	-40°C / +70°C
115	50				300 CFM				-40°F / +158°F
115	60				294 CFM				-40°F / +158°F

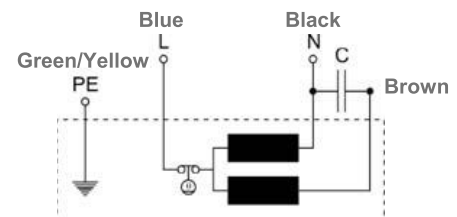


Rotation "CW"

- Weight : 2,9 Kg
- Ball bearing
- Class F, thermally protected
- IP44 protection
- G2.5 balancing
- Galvanized steel impeller
- Rotor : black paint
- Scroll housing : black paint
- UL approved motor



Capacitor for 50Hz	Capacitor for 60Hz	Finguer guard	Inlet cone
19251	19251	21325	16043



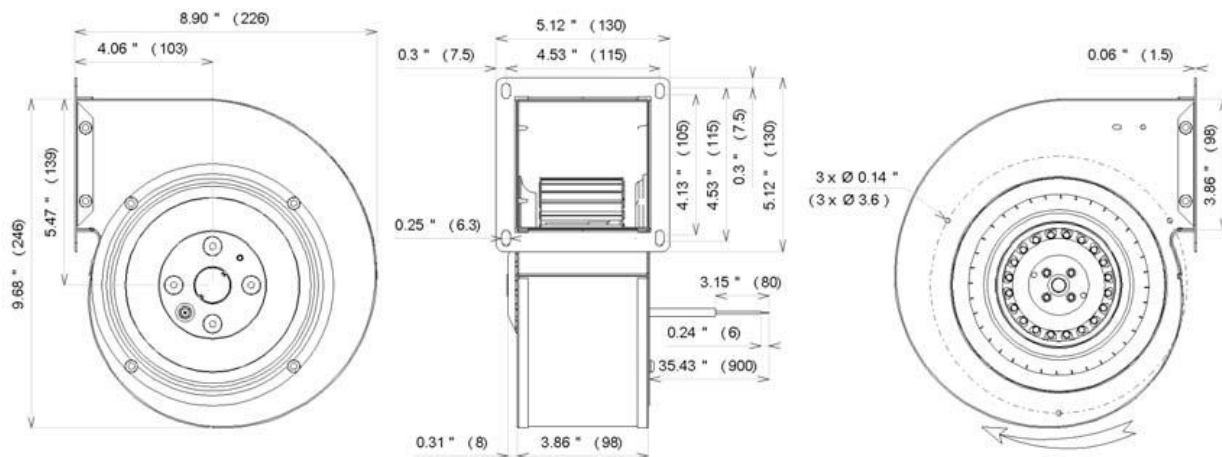
Non contractual document. All specifications are subject to change without prior notice. Picture for information only.

Ind. a - Revision : 05-2007

2GREu45 160x62R P/N C48-B1

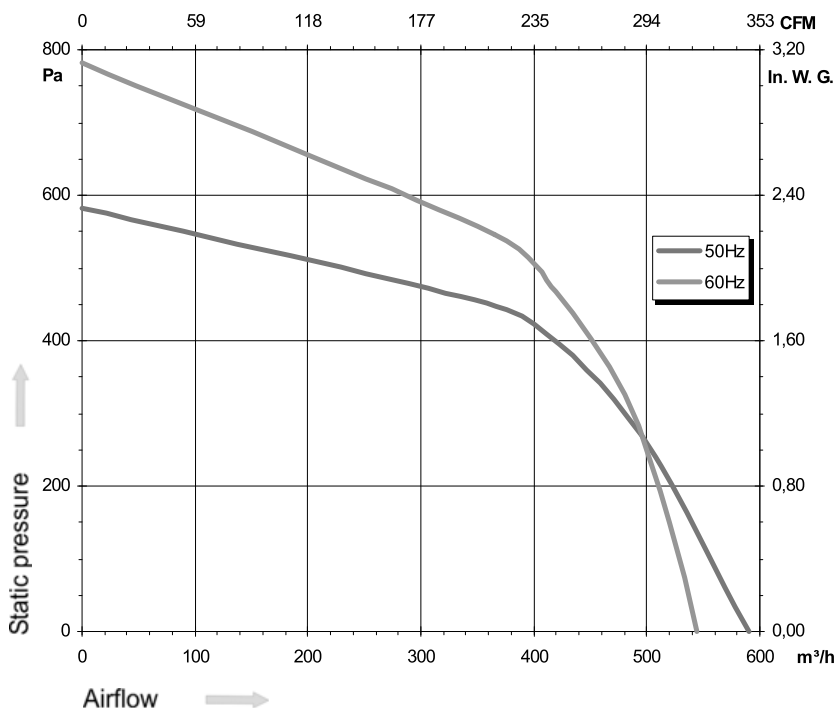


Voltage	Frequency	Input power	Current	Capacitor	Airflow	Speed rotation	Noise level	Rotation direction	Operating temperature
V	Hz	Wa	A	µF	m³/h	RPM	dBA	↻	Min / Max
115	50	233	2,03	25,0	590	2 060	67	R	-40°C / +70°C
115	60	273	2,38	25,0	545	2 000	66	R	-40°C / +70°C
115	50				347 CFM				-40°F / +158°F
115	60				320 CFM				-40°F / +158°F

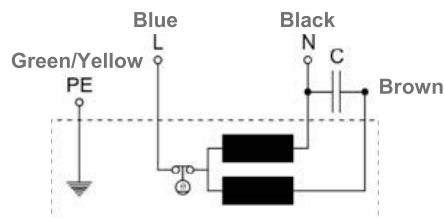


Rotation "CW"

- Weight : 4,1 Kg
- Ball bearing
- Class F, thermally protected
- IP44 protection
- G2.5 balancing
- Galvanized steel impeller
- Rotor : black paint
- Scroll housing : black paint
- UL approved motor



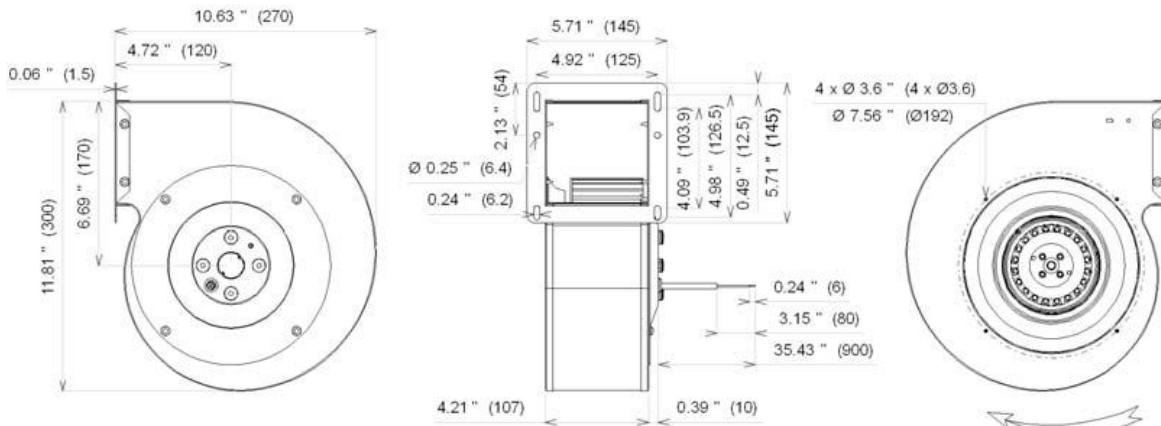
Capacitor for 50Hz	Capacitor for 60Hz	Finguer guard	Inlet cone
19257	19257	21291	16154



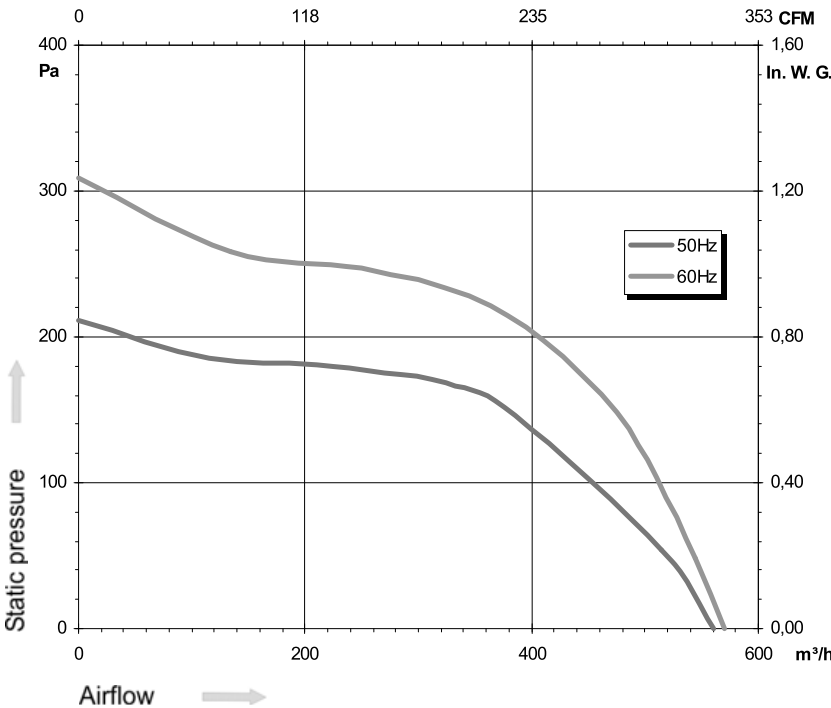
Non contractual document. All specifications are subject to change without prior notice. Picture for information only.

4GREu35 180x75R P/N C48-B5

Voltage	Frequency	Input power	Current	Capacitor	Airflow	Speed rotation	Noise level	Rotation direction	Operating temperature
V	Hz	Wa	A	µF	m³/h	RPM	dBA	↻	Min / Max
115	50	104	1,00	12,0	560	1 075	53	R	-40°C / +70°C
115	60	119	1,09	12,0	570	1 085	53	R	-40°C / +70°C
115	50				329 CFM				-40°F / +158°F
115	60				335 CFM				-40°F / +158°F



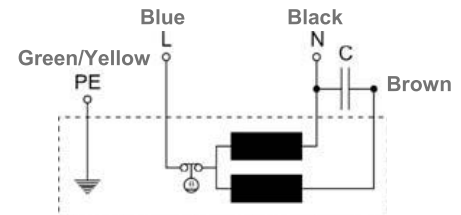
Rotation "CW"



- Weight : 4,5 Kg
- Ball bearing
- Class F, thermally protected
- IP44 protection
- G2.5 balancing
- PA 6/6 UL 94 V-0 plastic impeller
- Rotor : black paint
- Scroll housing : black paint
- UL approved motor

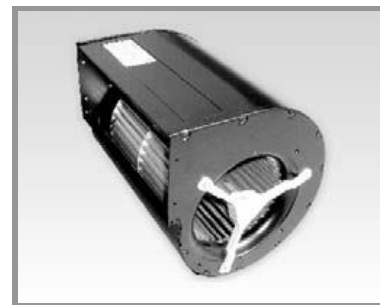


Capacitor for 50Hz	Capacitor for 60Hz	Finguer guard	Inlet cone
19237	19237	21194	16133

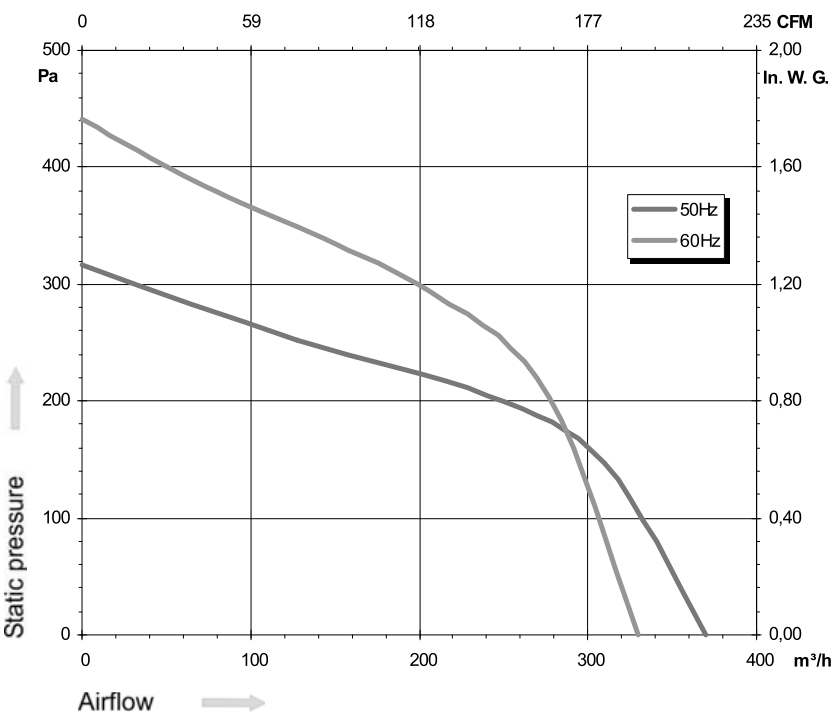
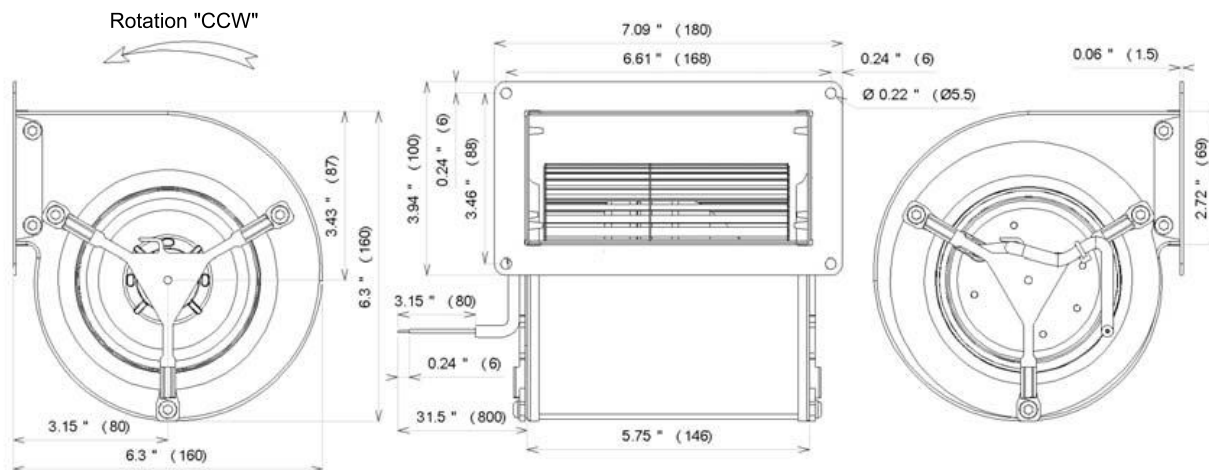


Non contractual document. All specifications are subject to change without prior notice. Picture for information only.

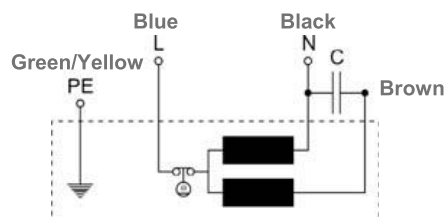
2GDSu15 120x126L P/N C50-B0



Voltage	Frequency	Input power	Current	Capacitor	Airflow	Speed rotation	Noise level	Rotation direction	Operating temperature
V	Hz	Wa	A	µF	m³/h	RPM	dBA	↻	Min / Max
115	50	112	0,98	8,0	370	1 390	47	L	-40°C / +70°C
115	60	116	1,02	8,0	330	1 280	45	L	-40°C / +70°C
115	50				217 CFM				-40°F / +158°F
115	60				194 CFM				-40°F / +158°F



- Weight : 2,3 Kg
- Ball bearing
- Class F, thermally protected
- IP44 protection
- G2.5 balancing
- Scroll housing : black paint
- Galvanized steel impeller
- UL approved motor

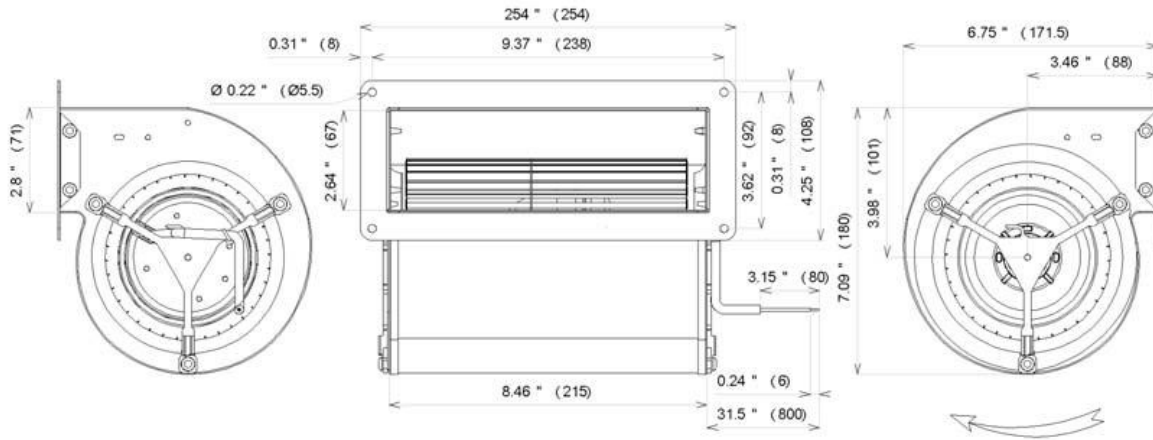
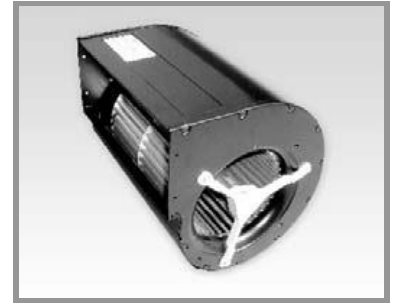


Capacitor for 50Hz	Capacitor for 60Hz	Finguer guard
19222	19222	21237

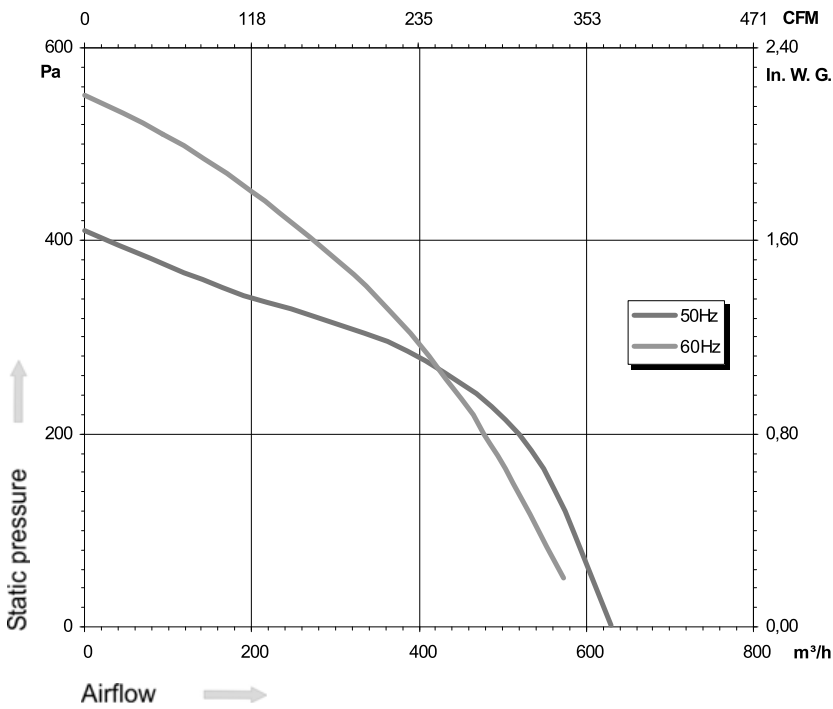
Non contractual document. All specifications are subject to change without prior notice. Picture for information only.

2GDSu25 133x190R P/N C50-B3

Voltage	Frequency	Input Power	Current	Capacitor	Airflow	Speed rotation	Noise level	Rotation direction	Operating temperature
V	Hz	Wa	A	µF	m³/h	RPM	dBA	↻	Min / Max
115	50	203	1,78	14,0	630	1 400	50	R	-40°C / +50°C
115	60	206	1,80	14,0	570	1 475	51	R	-40°C / +50°C
115	50				370 CFM				-40°F / +122°F
115	60				335 CFM				-40°F / +122°F



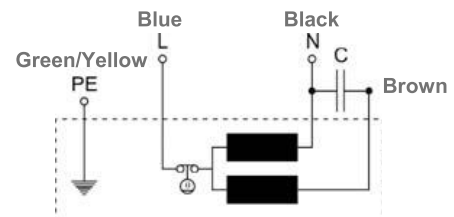
Rotation "CW"



- Weight : 3,4 Kg
- Ball bearing
- Class F, thermally protected
- IP44 protection
- G2.5 balancing
- Scroll housing : black paint
- Galvanized steel impeller
- UL approved motor

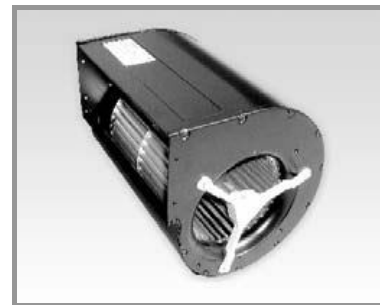


Capacitor for 50Hz	Capacitor for 60Hz	Finguer guard
19224	19224	21236

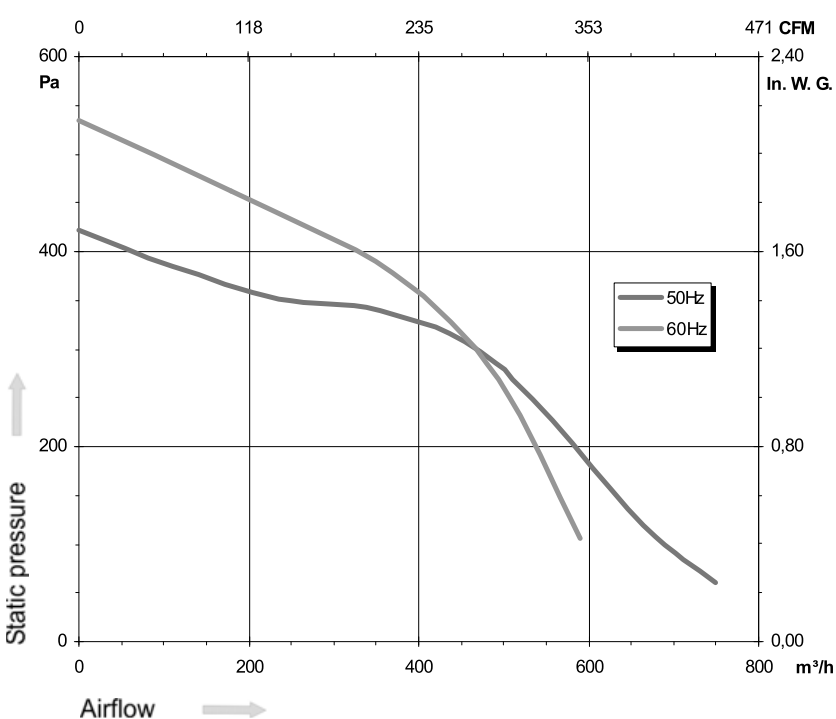
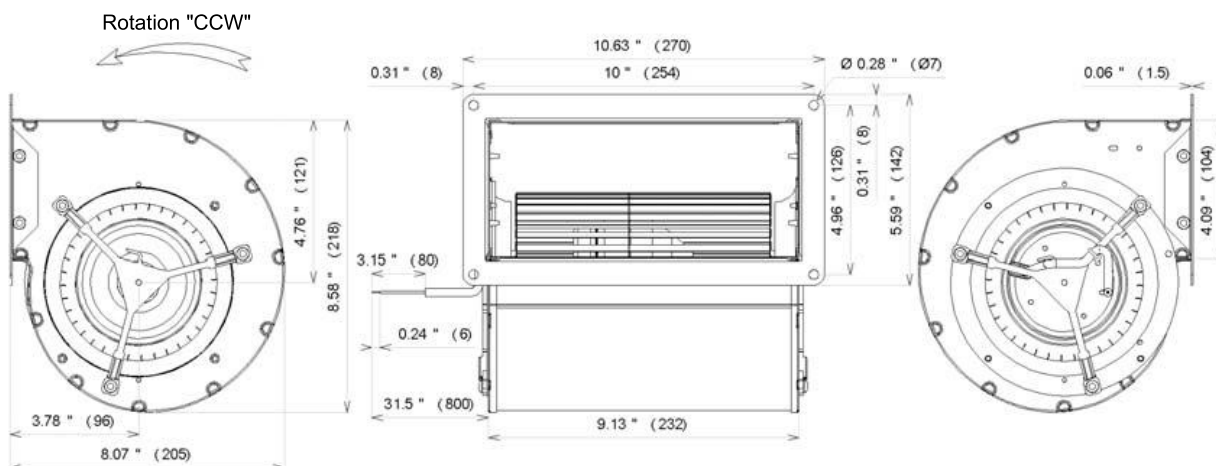


Non contractual document. All specifications are subject to change without prior notice. Picture for information only.

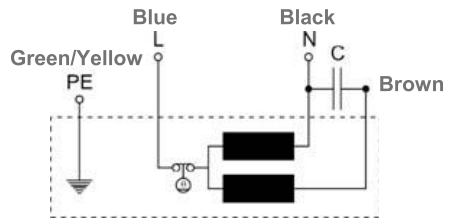
2GDSu35 133x190L P/N C50-B4



Voltage	Frequency	Input power	Current	Capacitor	Airflow	Speed rotation	Noise level	Rotation direction	Operating temperature
V	Hz	Wa	A	µF	m³/h	RPM	dBA	↻	Min / Max
115	50	199	1,85	20,0	765	1 460	51	L	-40°C / +50°C
115	60	211	1,85	20,0	575	1 700	54	L	-40°C / +50°C
115	50				450 CFM				-40°F / +122°F
115	60				338 CFM				-40°F / +122°F



- Weight : 4,0 Kg
- Ball bearing
- Class F, thermally protected
- IP44 protection
- G2.5 balancing
- Scroll housing : black paint
- Galvanized steel impeller
- UL approved motor

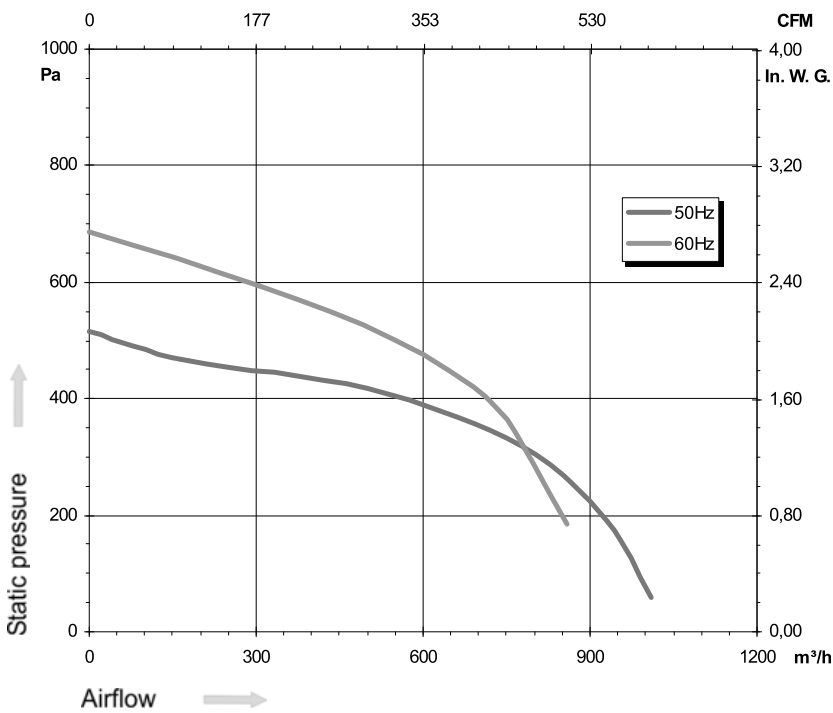
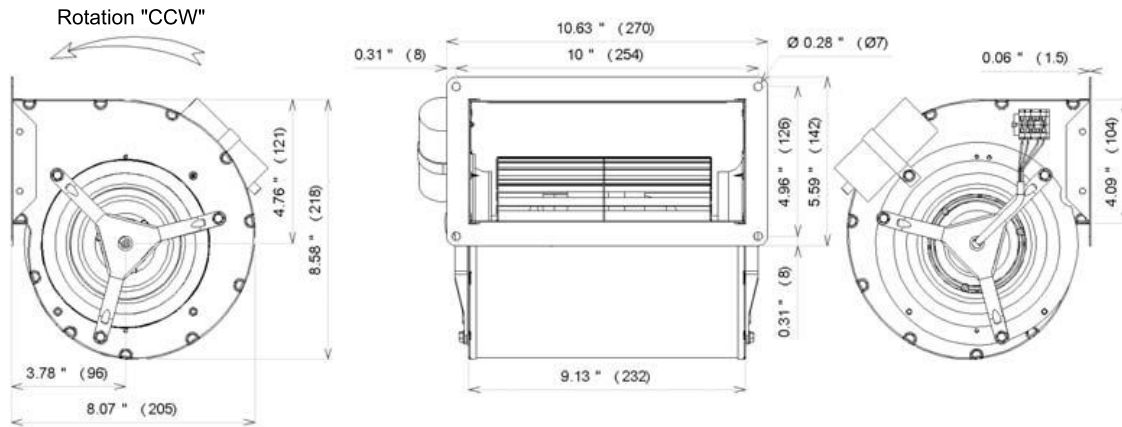
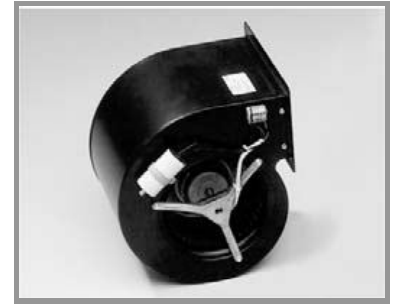


Capacitor for 50Hz	Capacitor for 60Hz	Finguer guard
19252	19252	21338

Non contractual document. All specifications are subject to change without prior notice. Picture for information only.

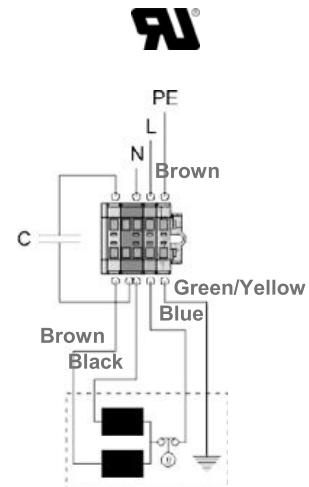
2GDFu65 146x180L P/N C50-B6

Voltage	Frequency	Input power	Current	Capacitor	Airflow	Speed rotation	Noise level	Rotation direction	Operating temperature
V	Hz	Wa	A	µF	m³/h	RPM	dBA	↻	Min / Max
115	50	356	3,10	40,0	1 010	1 845	62	L	-40°C / +50°C
115	60	387	3,37	40,0	855	2 105	65	L	-40°C / +60°C
115	50				594 CFM				-40°F / +122°F
115	60				503 CFM				-40°F / +140°F



- Weight : 6,1 Kg
- Ball bearing
- Class F, thermally protected
- IP54 protection
- G2.5 balancing
- Scroll housing : black paint
- Galvanized steel impeller
- Capacitor fixed on the scroll and wired to a WAGO Connector
- UL approved motor

Capacitor for 50Hz	Capacitor for 60Hz	Finguer guard
-	-	21290



Non contractual document. All specifications are subject to change without prior notice. Picture for information only.

High Efficiency Radial Fans

with forward curved radial impellers

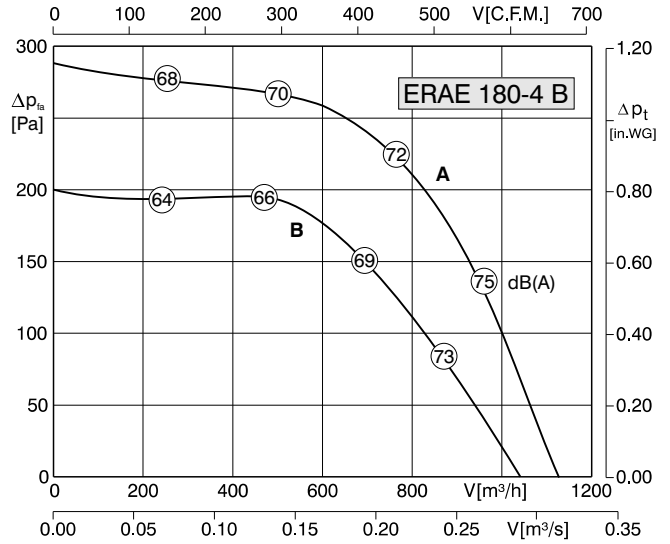


Advantages:

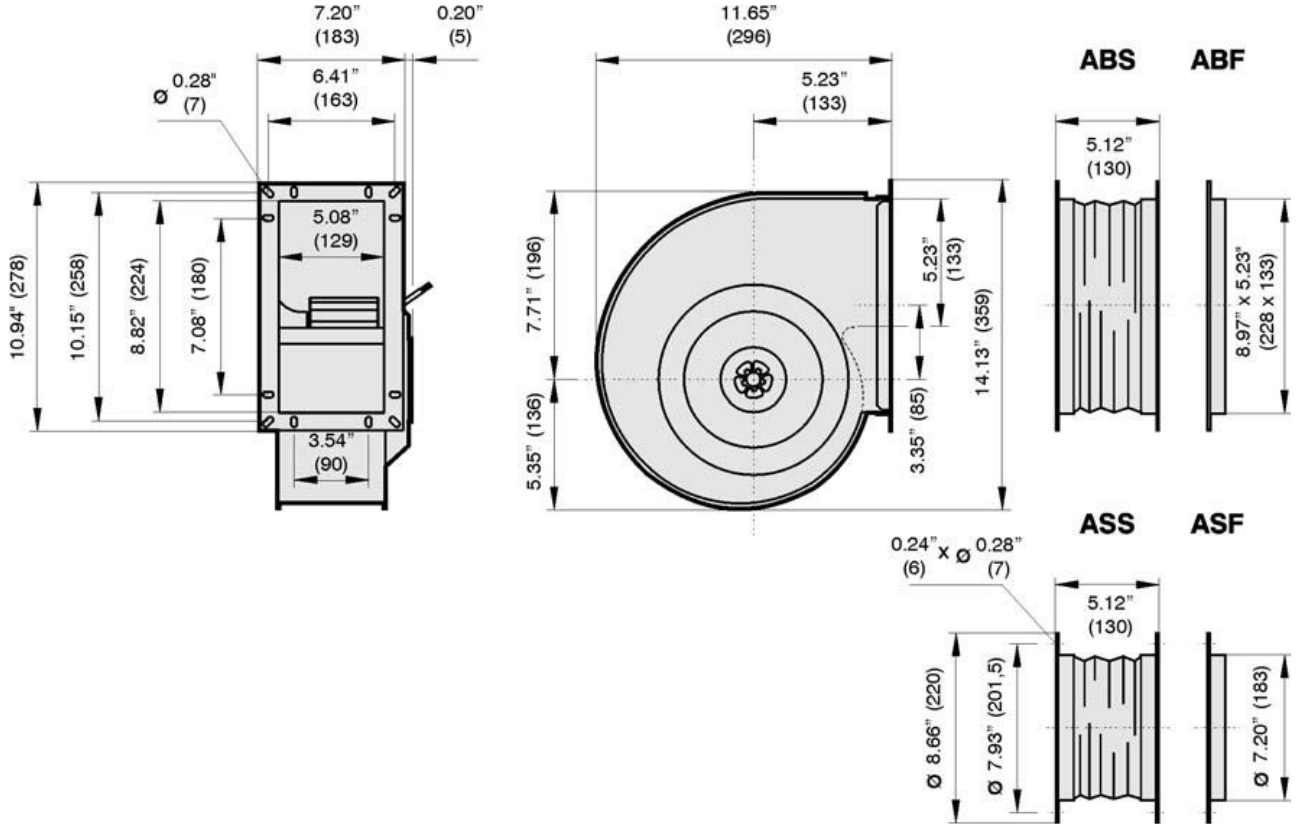
- The speed is 0-100% adjustable using auto transformers or electronic control
- Easy air volume adjustments via a large range of control products based on pressure and temperature
- Compact and space saving design
- Easy installation in many positions
- Extremely low starting currents
- Motor protection by thermal contacts in motor windings



- compact and space saving design
- 100% speed controllable through auto transformers
- Motor protection through thermal contacts as standard

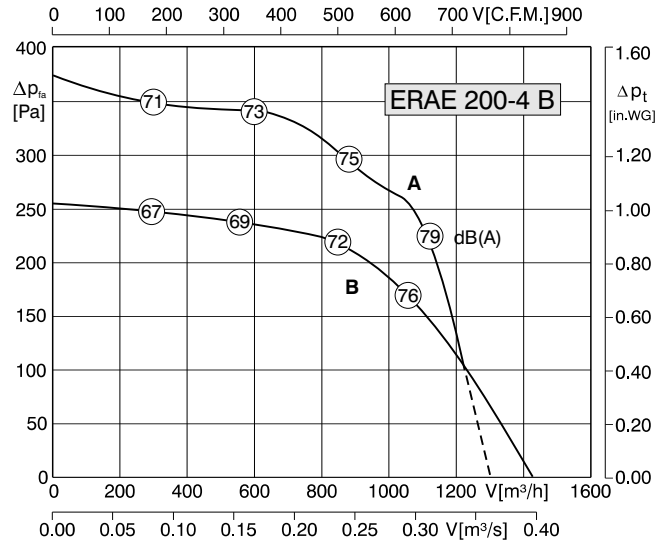


Type	U [Volt]	f [Hz]	Curve	P _i [kW]	I _N [A]	n [min ⁻¹]	t _r [°F]	t _r [°C]	C [μF]	ΔI [%]	I _A /I _N	▲	★	█ [kg]
ERAE 180-4 B	1~120	60	A	0.29	2.50	1480	122	50	16	15	1.7	54	01.024	7.0
ERAE 180-4 B	1~230	60	A	0.29	1.25	1480	122	50	4	15	1.7	54	01.024	7.0
ERAE 180-4 B	1~230	50	B	0.20	0.93	1365	158	70	4	17	2.5	54	01.024	7.0

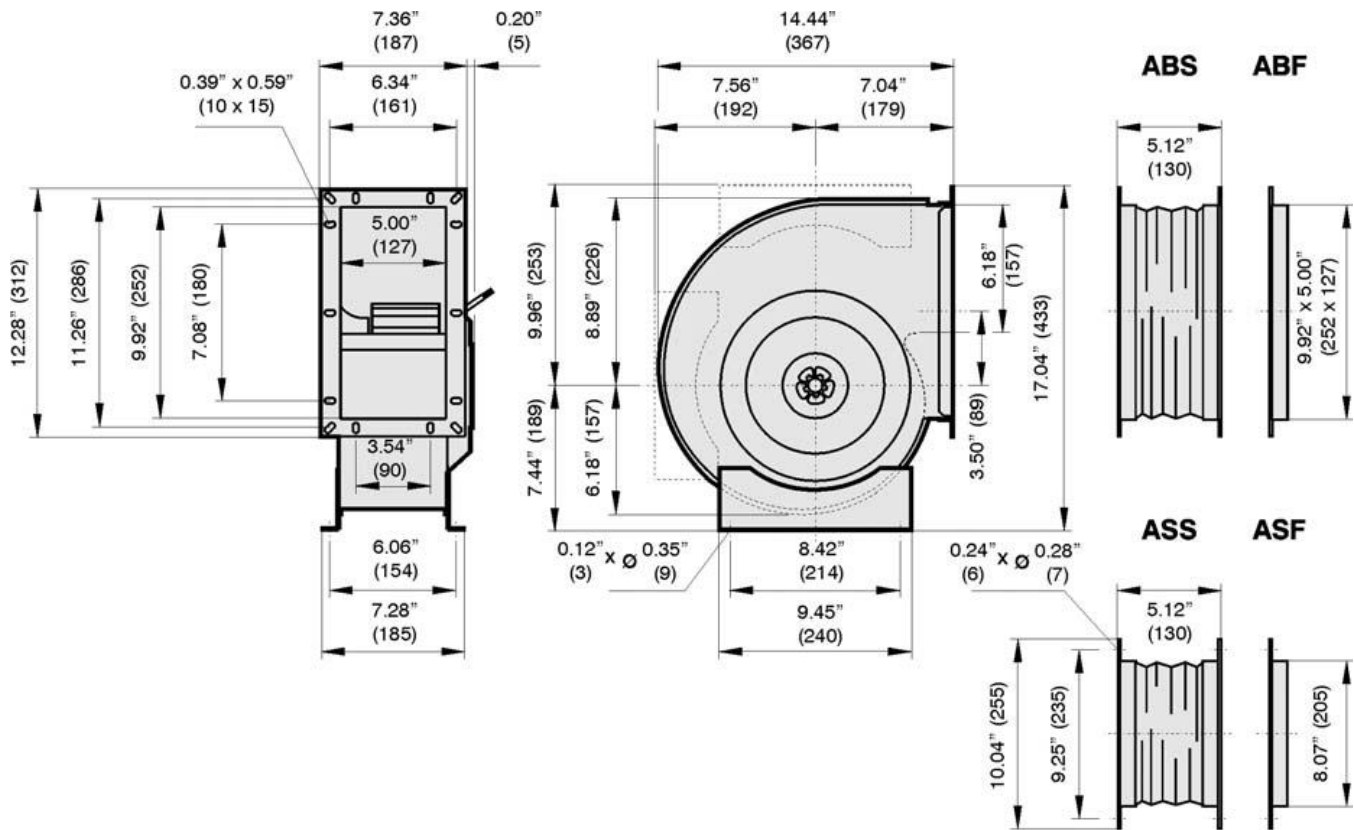




- compact and space saving design
- 100% speed controllable through auto transformers
- Motor protection through thermal contacts as standard

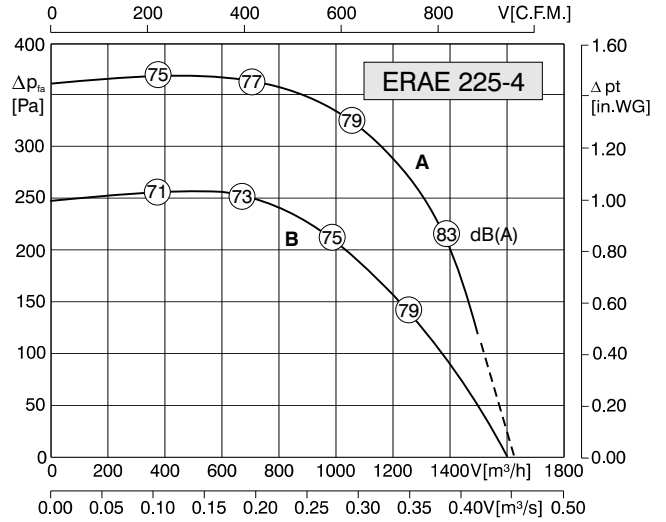


Type	U [Volt]	f [Hz]	Curve	P _i [kW]	I _N [A]	n [min ⁻¹]	t _R [°F]	t _R [°C]	C [μF]	ΔI [%]	I _A /I _N	▲	★	■ [kg]
ERAE 200-4 B	1~120	60	A	0.40	3.50	1340	122	50	24	2.0	1.3	54	01.024	8
ERAE 200-4 B	1~230	60	A	0.40	1.75	1340	122	50	10	2.0	1.3	54	01.024	8
ERAE 200-4 B	1~230	50	B	0.35	1.60	1180	122	50	10	2.0	1.6	54	01.024	8

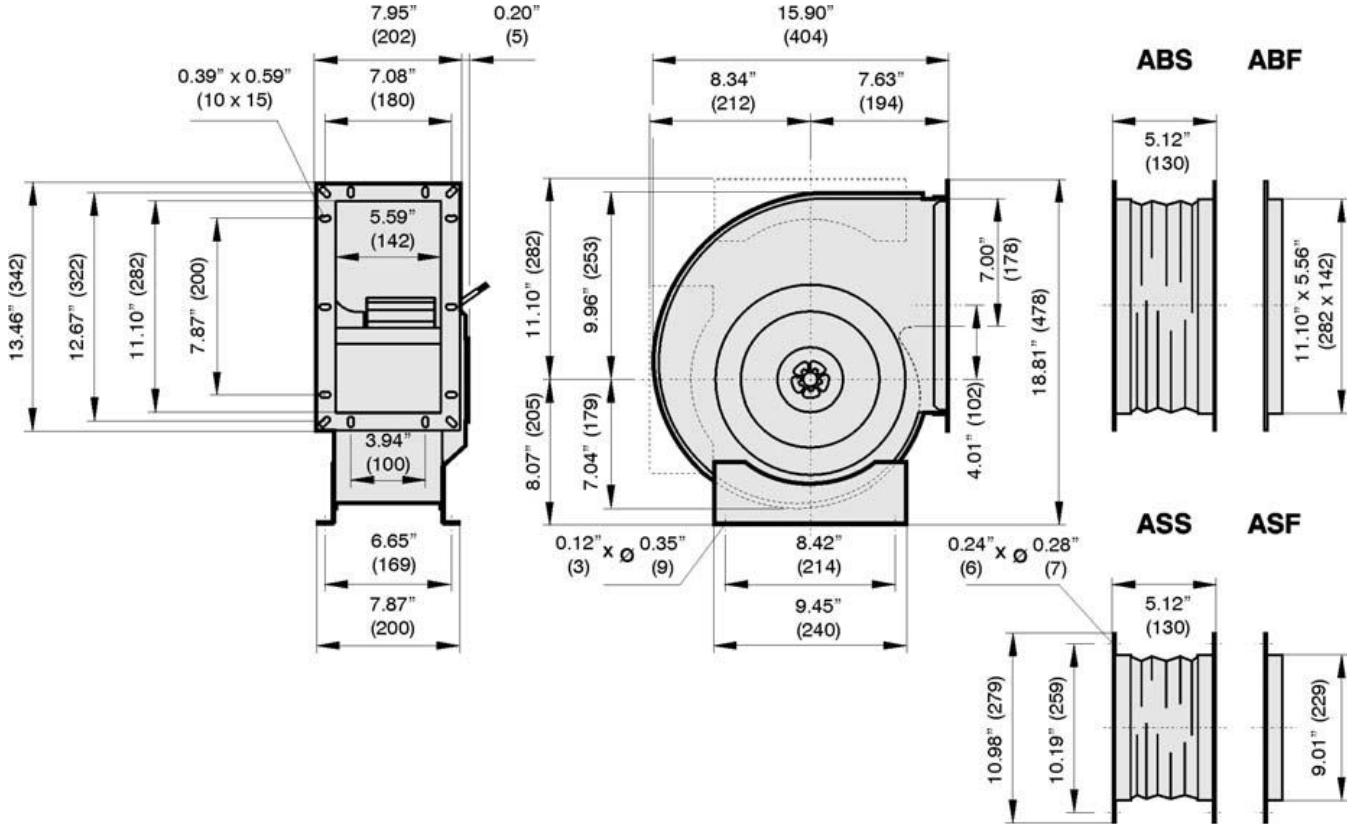




- compact and space saving design
- 100% speed controllable through auto transformers
- Motor protection through thermal contacts as standard

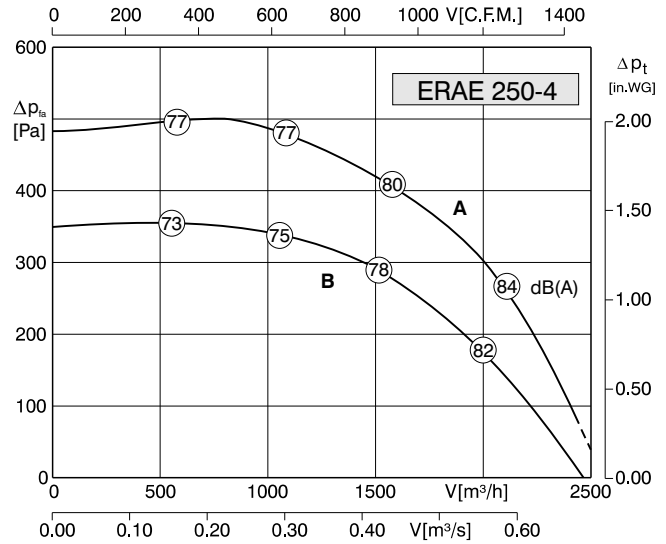


Type	U [Volt]	f [Hz]	Curve	P ₁ [kW]	I _N [A]	n [min ⁻¹]	t _r [°F]	t _r [°C]	C [μF]	ΔI [%]	I _A /I _N	▲	★	█ [kg]
ERAE 225-4	1~120	60	A	0.55	5.20	1570	122	50	30	8	1.8	54	01.024	12
ERAE 225-4	1~230	60	A	0.55	2.60	1570	122	50	8	8	1.8	54	01.024	12
ERAE 225-4	1~230	50	B	0.47	2.40	1350	140	60	8	17	2.6	54	01.024	12

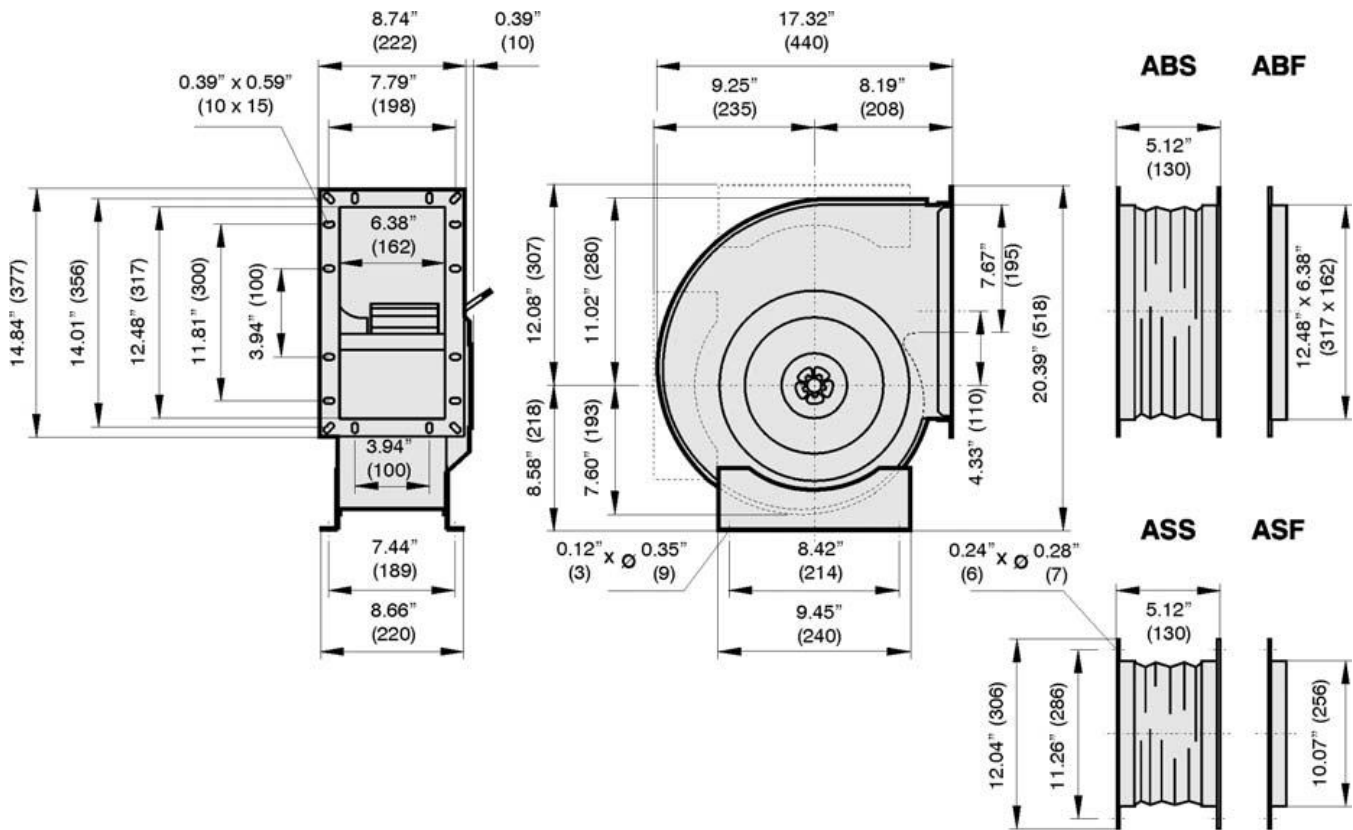




- compact and space saving design
- 100% speed controllable through auto transformers
- Motor protection through thermal contacts as standard

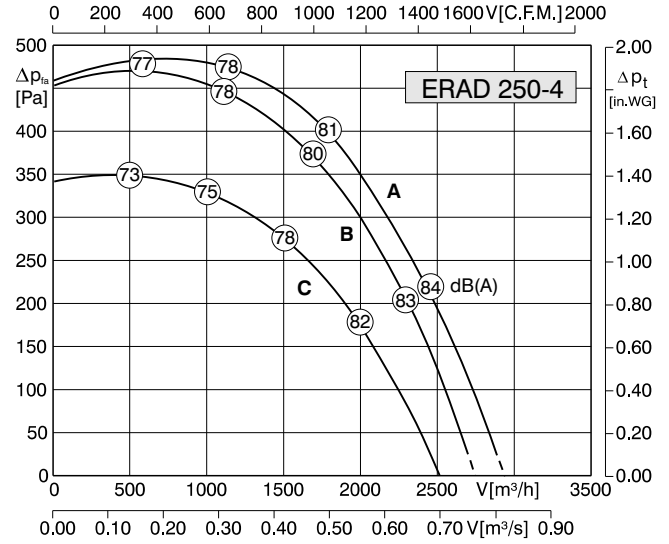


Type	U [Volt]	f [Hz]	Curve	P _i [kW]	I _N [A]	n [min ⁻¹]	t _R [°F]	t _R [°C]	C [μF]	ΔI [%]	I _A /I _N	▲	★	■ [kg]
ERAE 250-4	1~120	60	A	0.99	8.60	1320	122	50	64	-	1.5	54	01.024	17.5
ERAE 250-4	1~230	60	A	0.99	4.30	1320	122	50	16	-	1.5	54	01.024	17.5
ERAE 250-4	1~230	50	B	0.77	3.50	1300	149	65	16	-	1.7	54	01.024	17.5

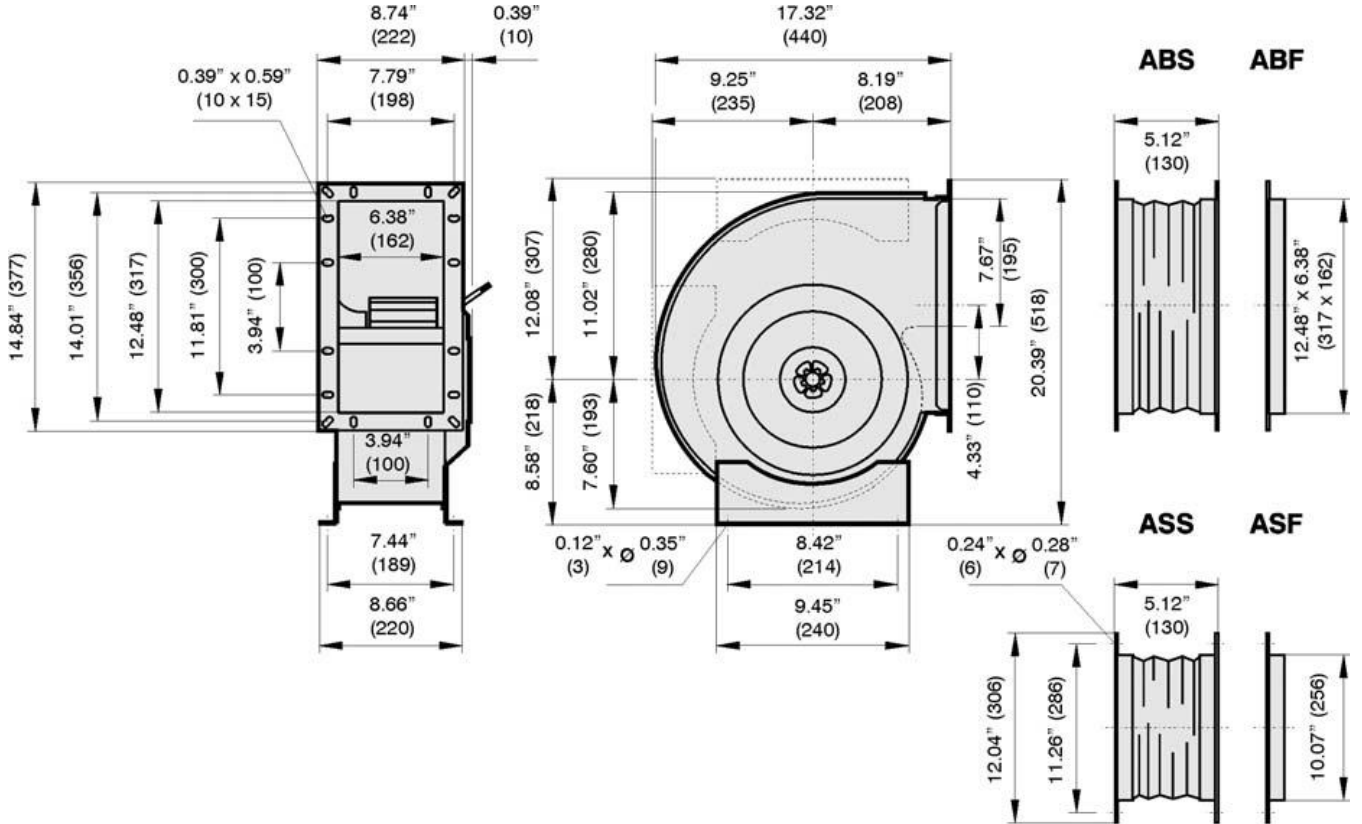




- compact and space saving design
- 100% speed controllable through auto transformers
- Motor protection through thermal contacts as standard

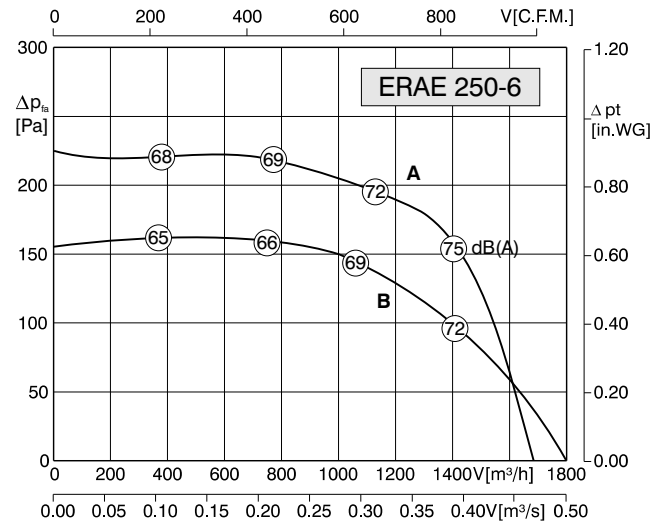


Type	U [Volt]	f [Hz]	Curve	P _i [kW]	I _N [A]	n [min ⁻¹]	t _r [°F]	t _r [°C]	C [μF]	ΔI [%]	I _A /I _N	▲	★	█ [kg]
ERAD 250-4	3~460Y	60	A	1.15	1.90	1400	122	50	-	-	2.6	54	01.005	18
ERAD 250-4	3~230D	60	B	1.00	3.10	1325	140	60	-	-	2.6	54	01.006	18
ERAD 250-4	3~400Y	50	C	0.75	1.60	1230	149	65	-	-	3.6	54	01.005	18

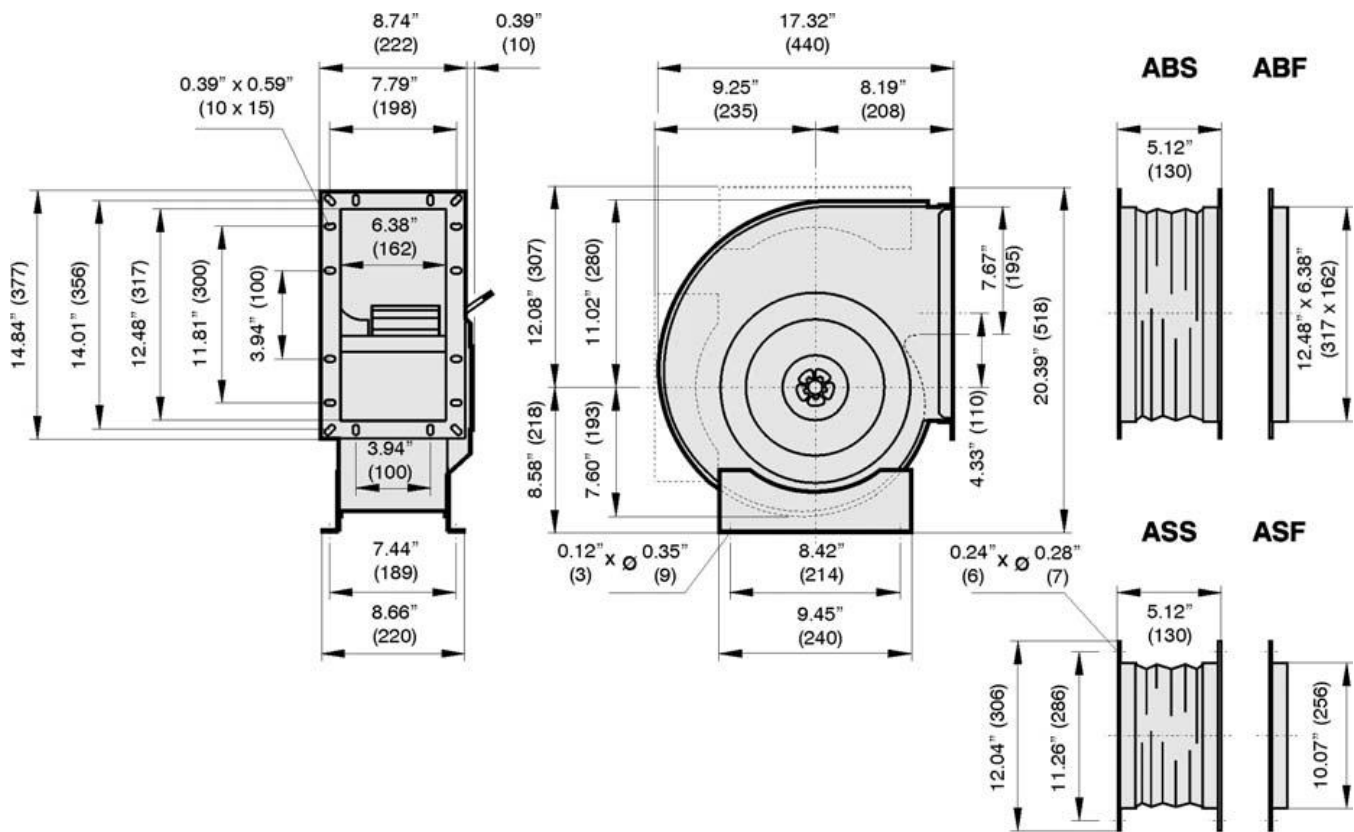




- compact and space saving design
- 100% speed controllable through auto transformers
- Motor protection through thermal contacts as standard

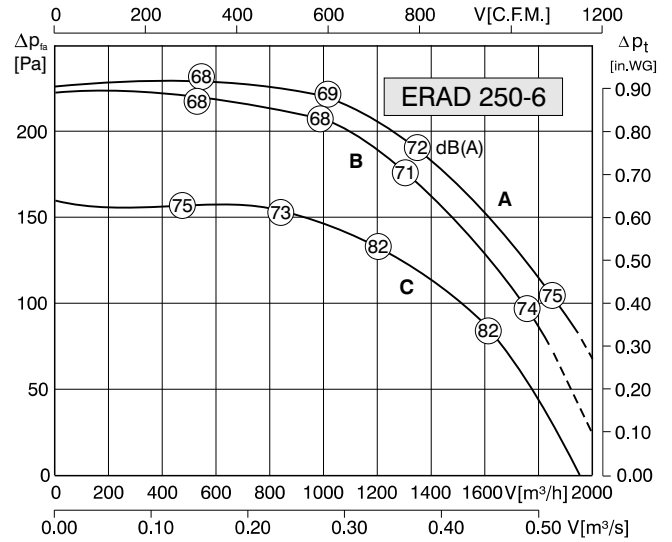


Type	U [Volt]	f [Hz]	Curve	P _i [kW]	I _N [A]	n [min ⁻¹]	t _R [°F]	t _R [°C]	C [μF]	ΔI [%]	I _A /I _N	▲	★	■ [kg]
ERAE 250-6	1~120	60	A	0.35	3.10	720	122	50	24	-	1.1	54	01.024	15
ERAE 250-6	1~230	60	A	0.35	1.55	720	122	50	6	-	1.1	54	01.024	15
ERAE 250-6	1~230	50	B	0.30	1.30	760	140	60	6	-	1.4	54	01.024	15

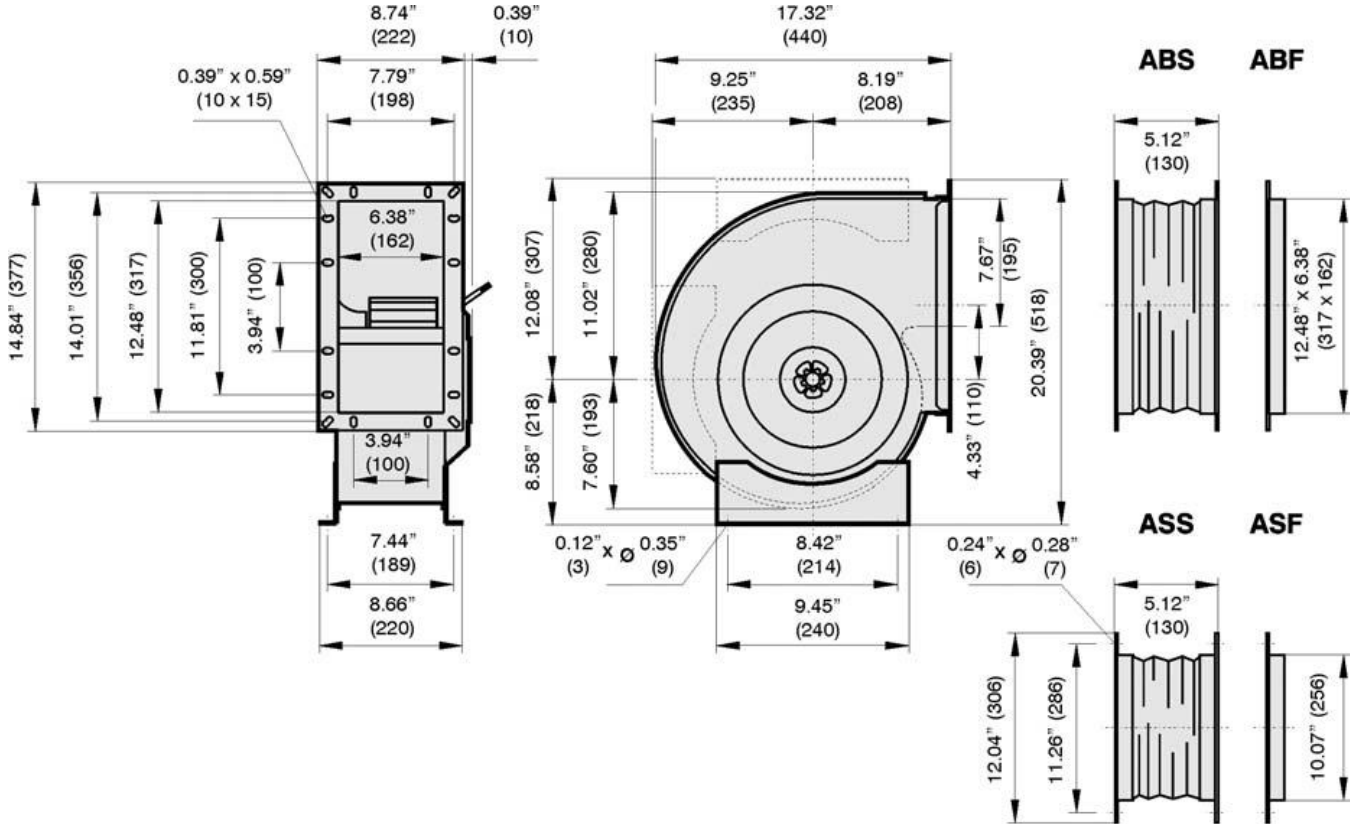




- compact and space saving design
- 100% speed controllable through auto transformers
- Motor protection through thermal contacts as standard

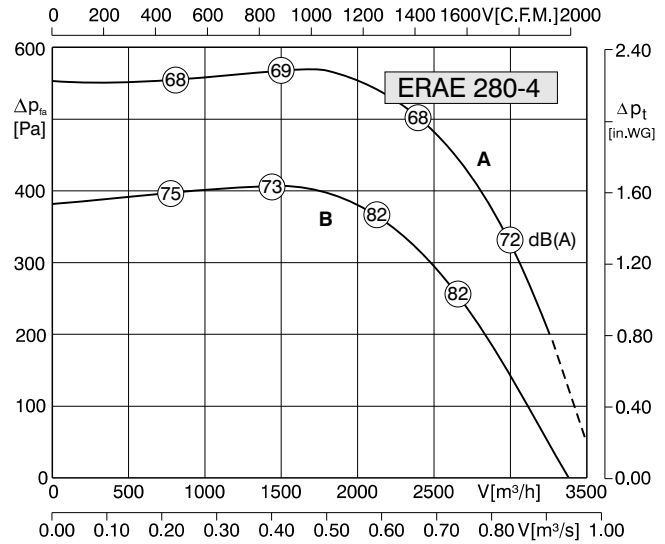


Type	U [Volt]	f [Hz]	Curve	P _i [kW]	I _N [A]	n [min ⁻¹]	t _r [°F]	t _r [°C]	C [μF]	ΔI [%]	I _A /I _N	▲	★	█ [kg]
ERAD 250-6	3~460Y	60	A	0.40	0.75	990	122	50	-	-	1.9	54	01.005	15
ERAD 250-6	3~230D	60	B	0.35	1.20	930	140	60	-	-	1.9	54	01.006	15
ERAD 250-6	3~400Y	50	C	0.33	0.70	820	122	50	-	-	2.1	54	01.005	15

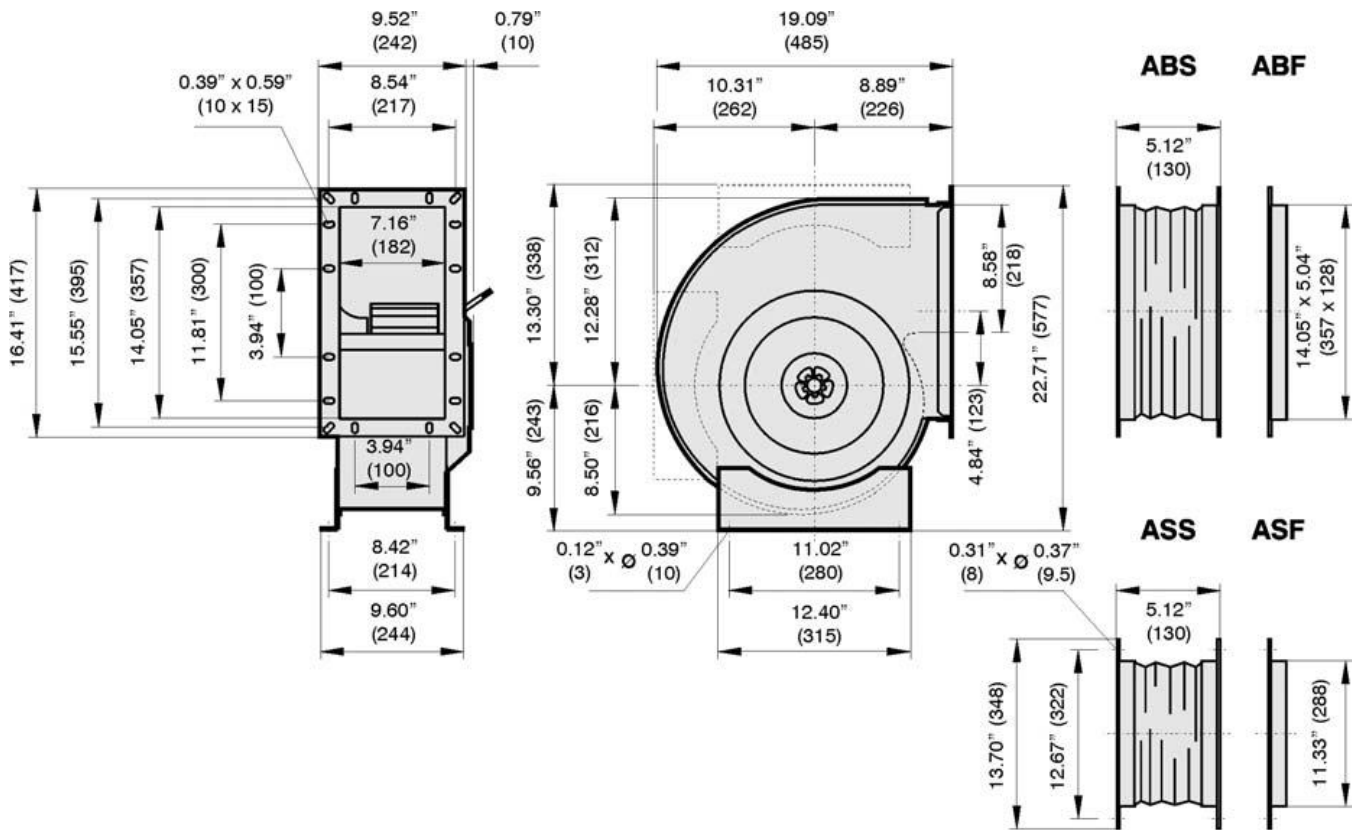




- compact and space saving design
- 100% speed controllable through auto transformers
- Motor protection through thermal contacts as standard

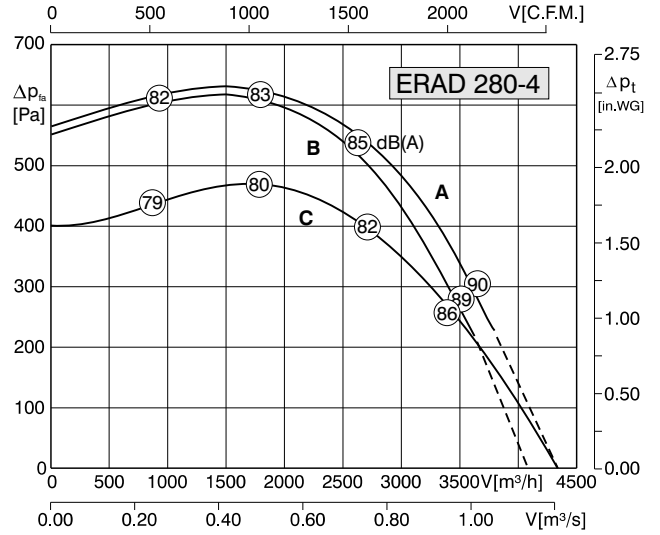


Type	U [Volt]	f [Hz]	Curve	P _i [kW]	I _N [A]	n [min ⁻¹]	t _R [°F]	t _R [°C]	C [μF]	ΔI [%]	I _A /I _N	▲	★	■ [kg]
ERAE 280-4	1~120	60	A	1.70	15.2	1520	122	50	100	7	2.1	54	01.024	28
ERAE 280-4	1~230	60	A	1.70	7.60	1520	122	50	25	7	2.1	54	01.024	28
ERAE 280-4	1~230	50	B	1.45	6.80	1330	131	55	25	14	2.5	54	01.024	28

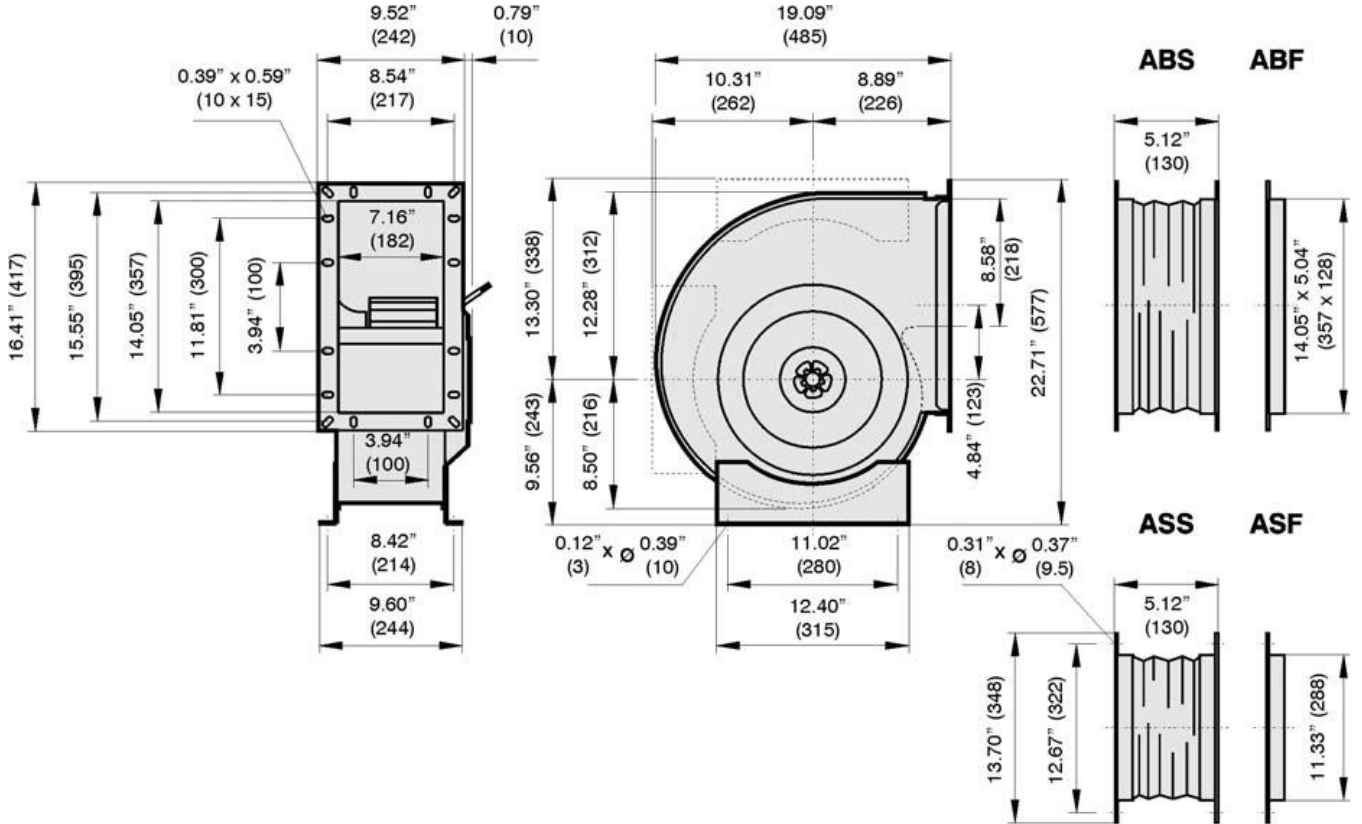




- compact and space saving design
- 100% speed controllable through auto transformers
- Motor protection through thermal contacts as standard

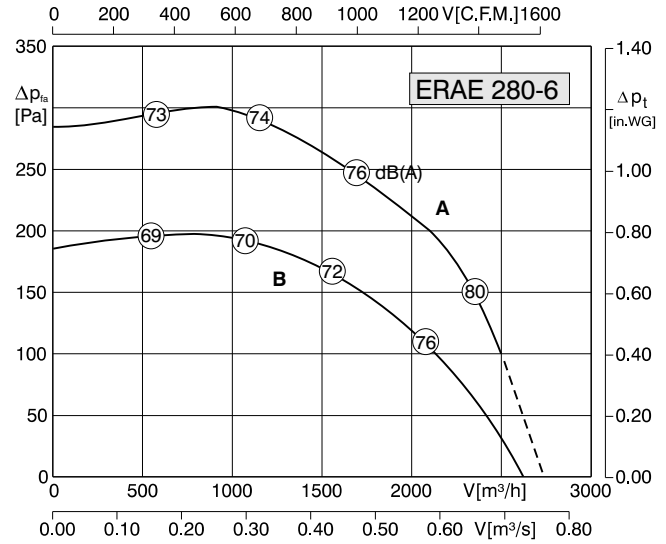


Type	U [Volt]	f [Hz]	Curve	P ₁ [kW]	I _N [A]	n [min ⁻¹]	t _r [°F]	t _r [°C]	C [μF]	ΔI [%]	I _A /I _N	▲	★	█ [kg]
ERAD 280-4	3~460Y	60	A	2.05	3.20	1585	122	50	-	4	3.0	54	01.005	24
ERAD 280-4	3~230D	60	B	1.90	5.50	1490	122	50	-	3	3.0	54	01.006	24
ERAD 280-4	3~400Y	50	C	1.55	2.90	1310	122	50	-	6	3.9	54	01.005	24

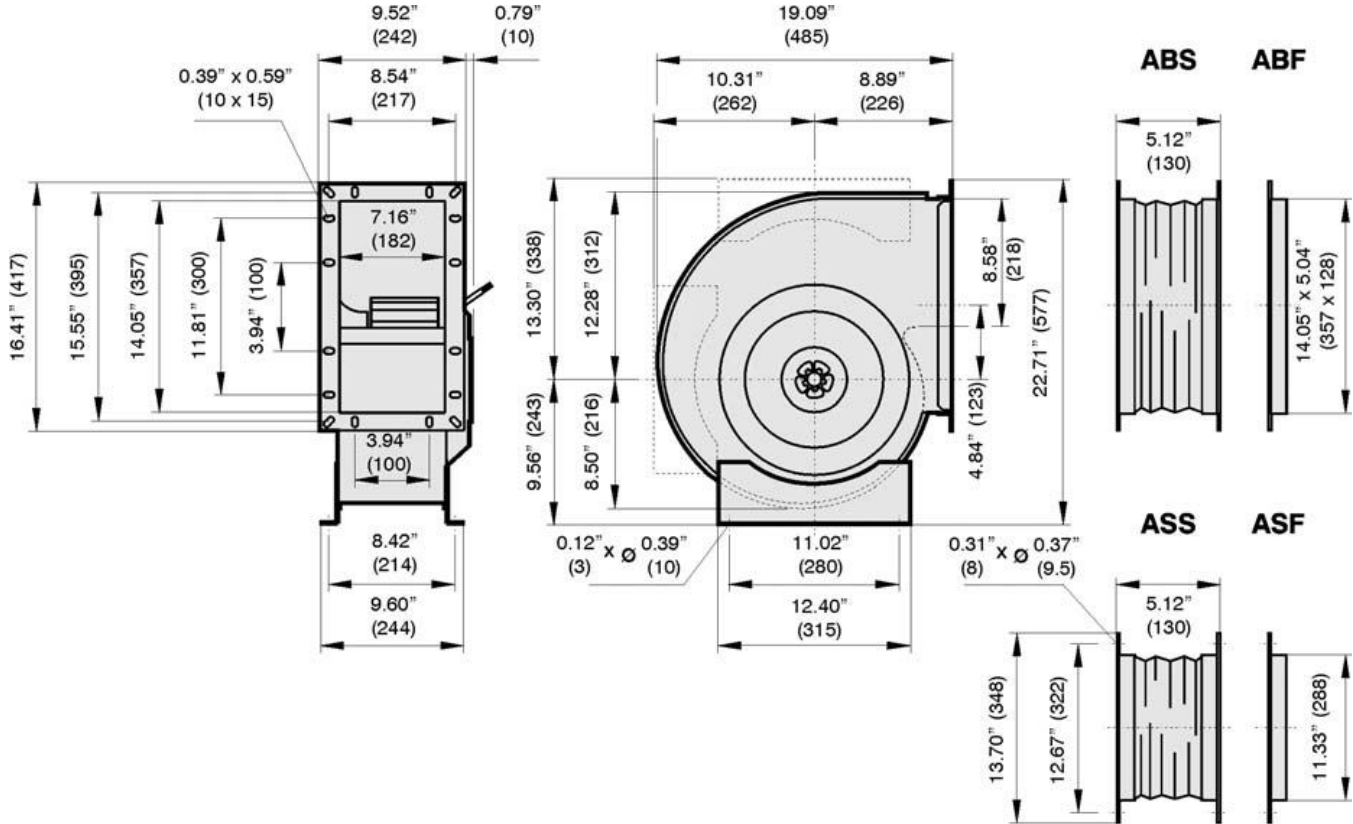




- compact and space saving design
- 100% speed controllable through auto transformers
- Motor protection through thermal contacts as standard

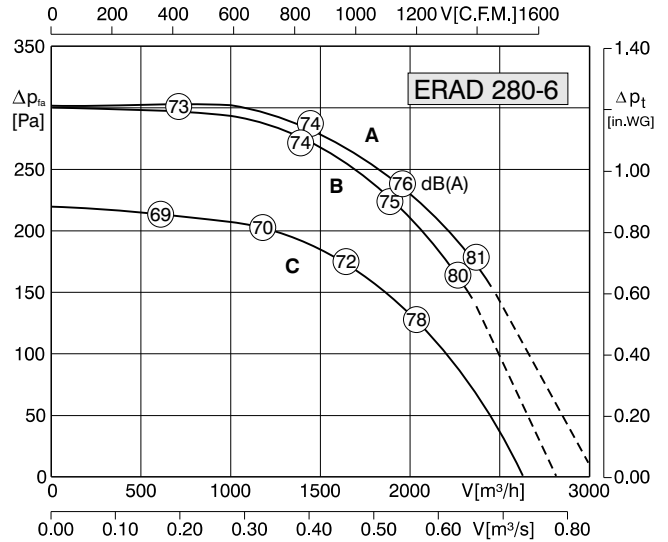


Type	U [Volt]	f [Hz]	Curve	P _i [kW]	I _N [A]	n [min ⁻¹]	t _R [°F]	t _R [°C]	C [μF]	ΔI [%]	I _A /I _N	▲	★	■ [kg]
ERAE 280-6	1~120	60	A	0.67	3.00	1030	122	50	10	7	1.9	54	01.024	20
ERAE 280-6	1~230	60	A	0.67	6.00	1030	122	50	40	7	1.9	54	01.024	20
ERAE 280-6	1~230	50	B	0.60	2.90	880	122	50	10	14	2.2	54	01.024	20

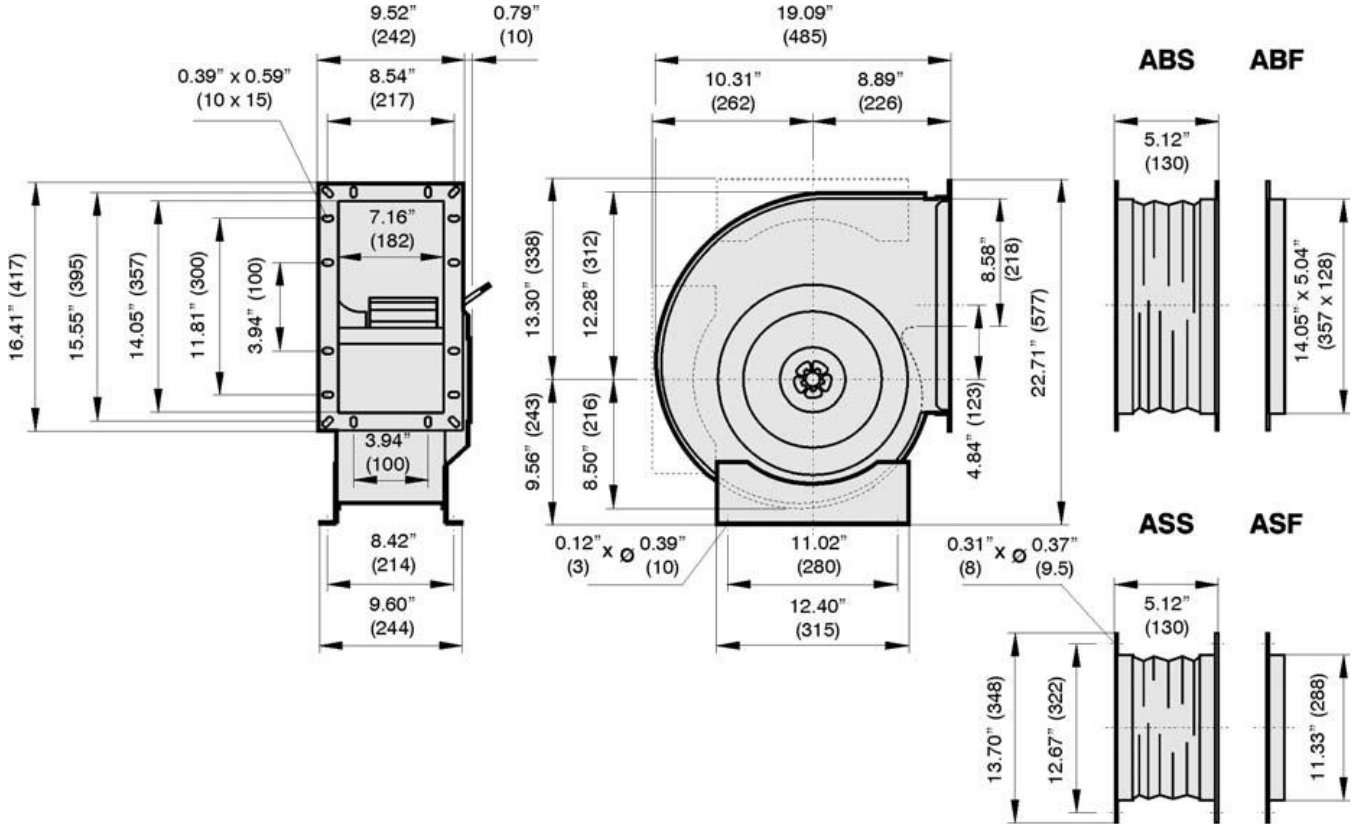




- compact and space saving design
- 100% speed controllable through auto transformers
- Motor protection through thermal contacts as standard

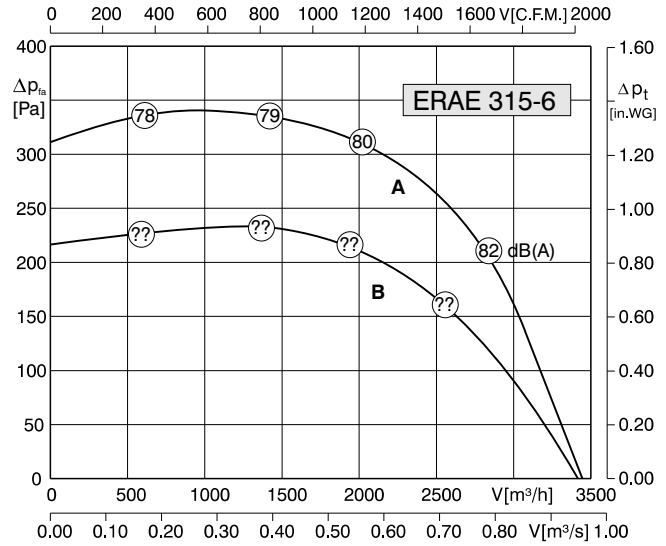


Type	U [Volt]	f [Hz]	Curve	P _i [kW]	I _N [A]	n [min ⁻¹]	t _r [°F]	t _r [°C]	C [μF]	ΔI [%]	I _A /I _N	▲	★	█ [kg]
ERAD 280-6	3~460Y	60	A	0.60	1.05	1050	122	50	-	-	3.0	54	01.005	20
ERAD 280-6	3~230D	60	B	0.54	1.70	1020	122	50	-	-	3.0	54	01.006	20
ERAD 280-6	3~400Y	50	C	0.54	1.10	860	104	40	-	-	2.9	54	01.005	20

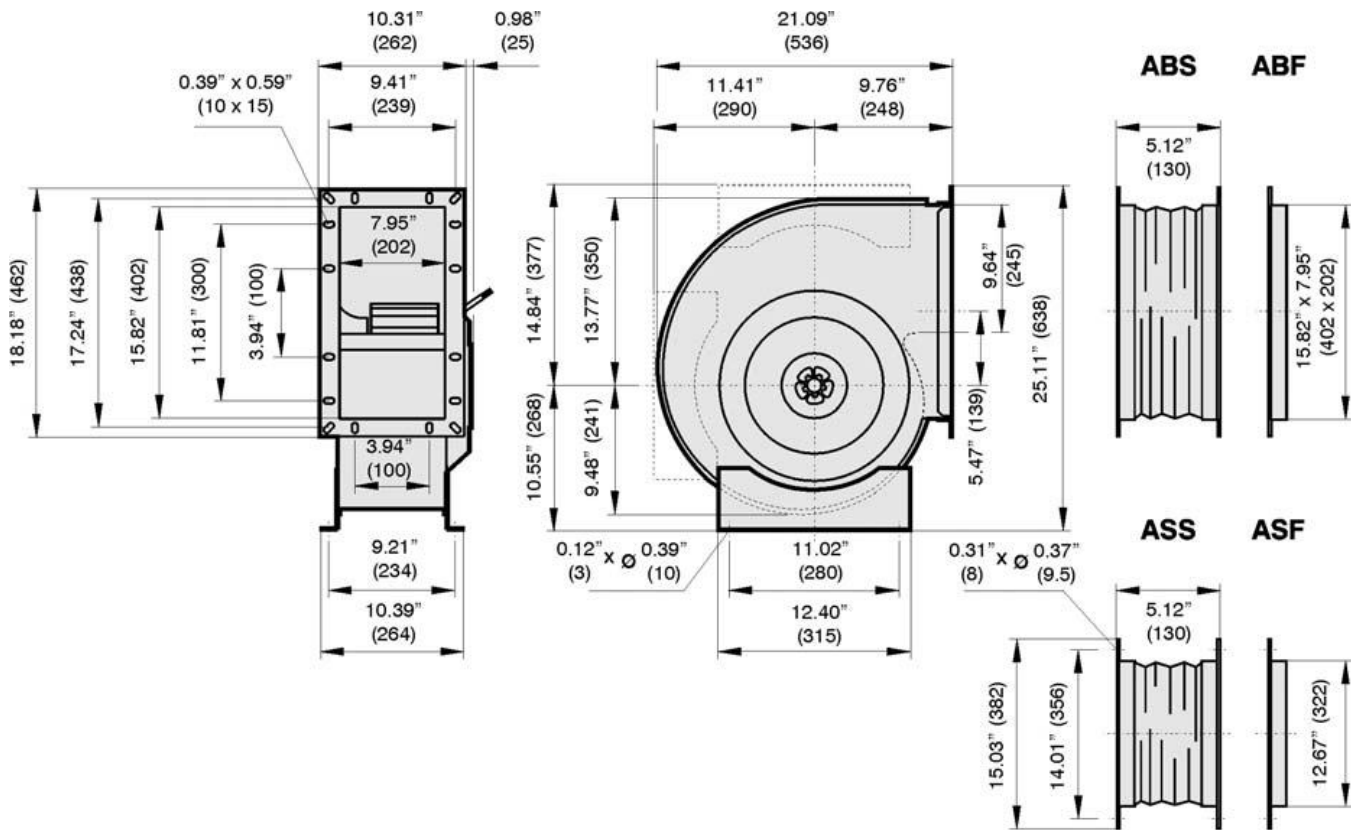




- compact and space saving design
- 100% speed controllable through auto transformers
- Motor protection through thermal contacts as standard

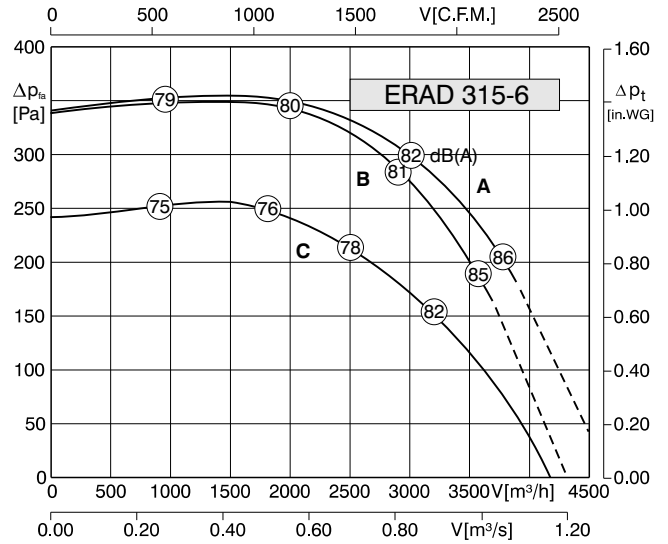


Type	U [Volt]	f [Hz]	Curve	P _i [kW]	I _N [A]	n [min ⁻¹]	t _R [°F]	t _R [°C]	C [μF]	ΔI [%]	I _A /I _N	▲	★	■ [kg]
ERAE 315-6	1~120	60	A	1.15	5.60	835	140	60	64	-	1.4	54	01.025	32
ERAE 315-6	1~230	60	A	1.15	11.2	835	140	60	16	-	1.4	54	01.025	32
ERAE 315-6	1~230	50	B	0.96	5.30	804	158	70	16	-	1.6	54	01.025	32

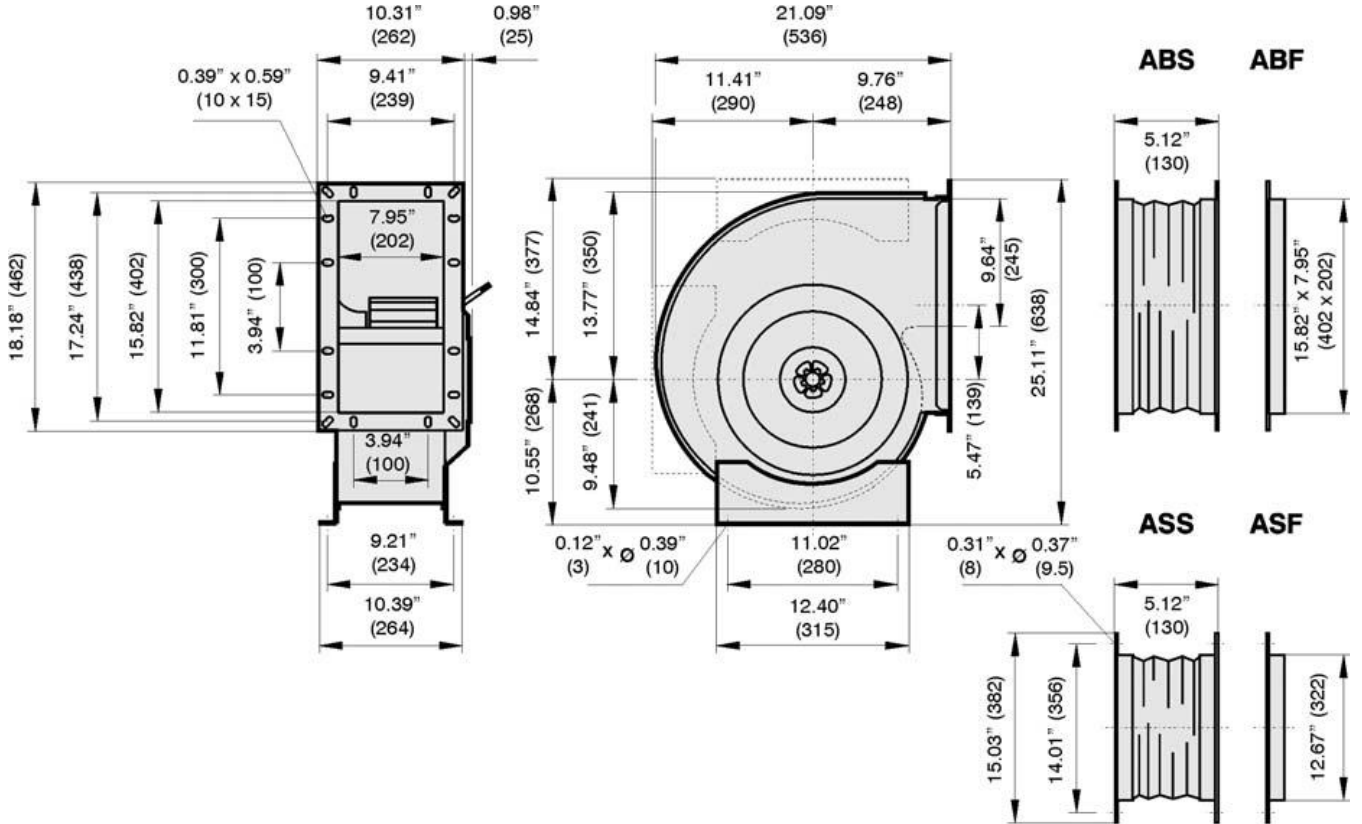




- compact and space saving design
- 100% speed controllable through auto transformers
- Motor protection through thermal contacts as standard

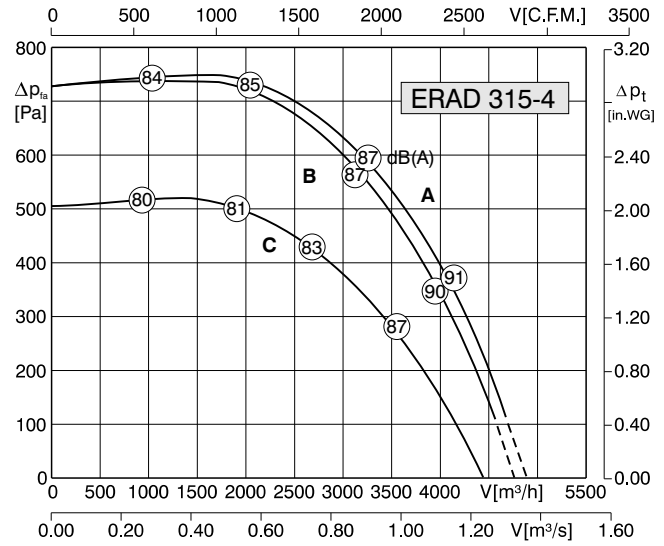


Type	U [Volt]	f [Hz]	Curve	P ₁ [kW]	I _N [A]	n [min ⁻¹]	t _r [°F]	t _r [°C]	C [μF]	ΔI [%]	I _A /I _N	▲	★	█ [kg]
ERAD 315-6	3~460Y	60	A	1.20	2.1	1025	122	50	-	-	2.7	54	01.005	27
ERAD 315-6	3~230D	60	B	1.10	3.5	980	122	50	-	-	2.7	54	01.006	27
ERAD 315-6	3~400Y	50	C	0.95	2.1	850	122	50	-	-	2.5	54	01.005	27

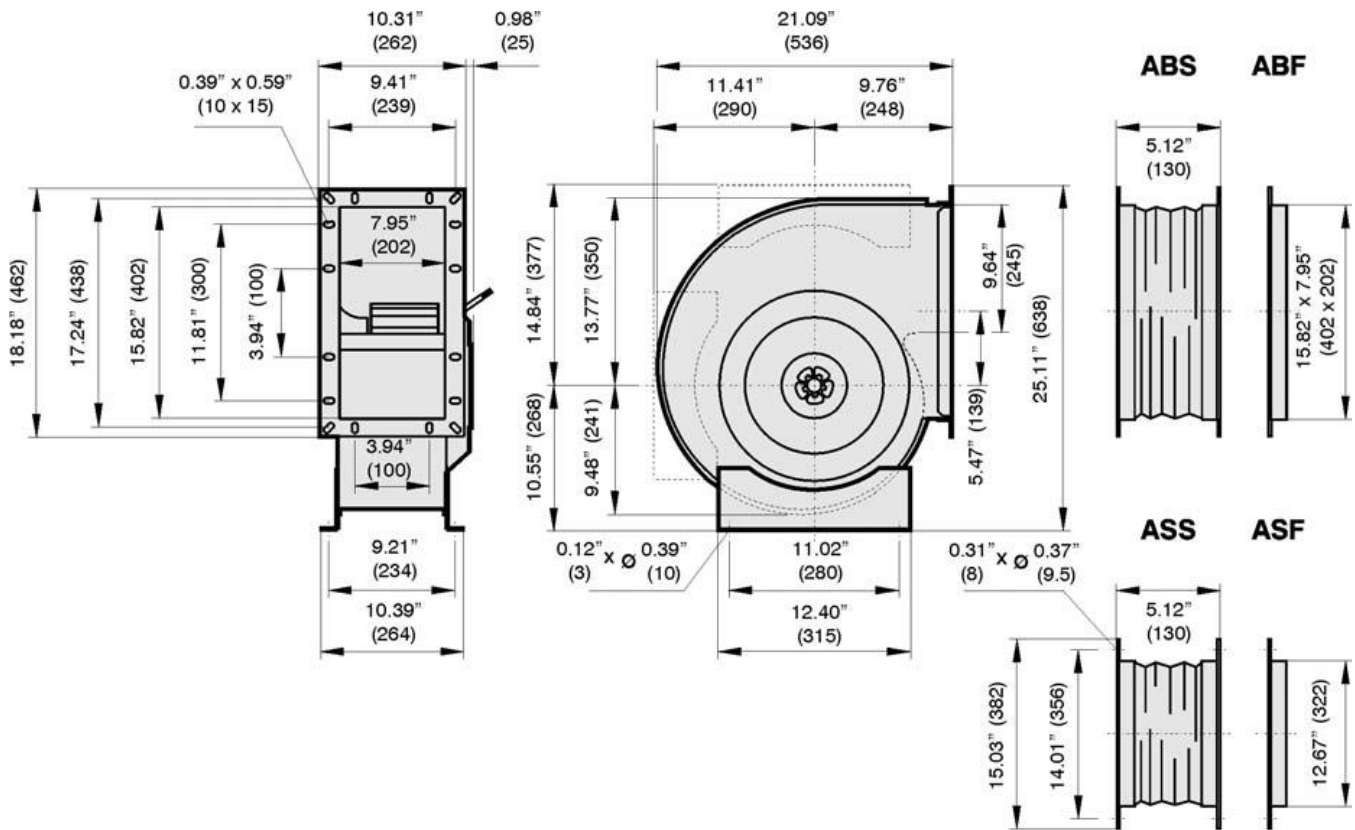




- compact and space saving design
- 100% speed controllable through auto transformers
- Motor protection through thermal contacts as standard

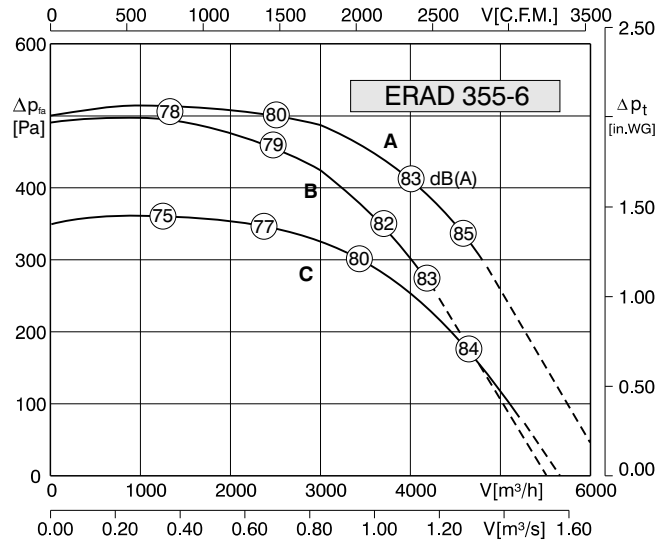


Type	U [Volt]	f [Hz]	Curve	P _i [kW]	I _N [A]	n [min ⁻¹]	t _R [°F]	t _R [°C]	C [μF]	ΔI [%]	I _A /I _N	▲	★	■ [kg]
ERAD 315-4	3~460Y	60	A	2.90	4.90	1635	122	50	-	9	4.8	54	01.005	36
ERAD 315-4	3~230D	60	B	2.75	8.30	1590	122	50	-	9	4.8	54	01.006	36
ERAD 315-4	3~400Y	50	C	2.05	4.40	1380	158	70	-	5	4.2	54	01.005	36

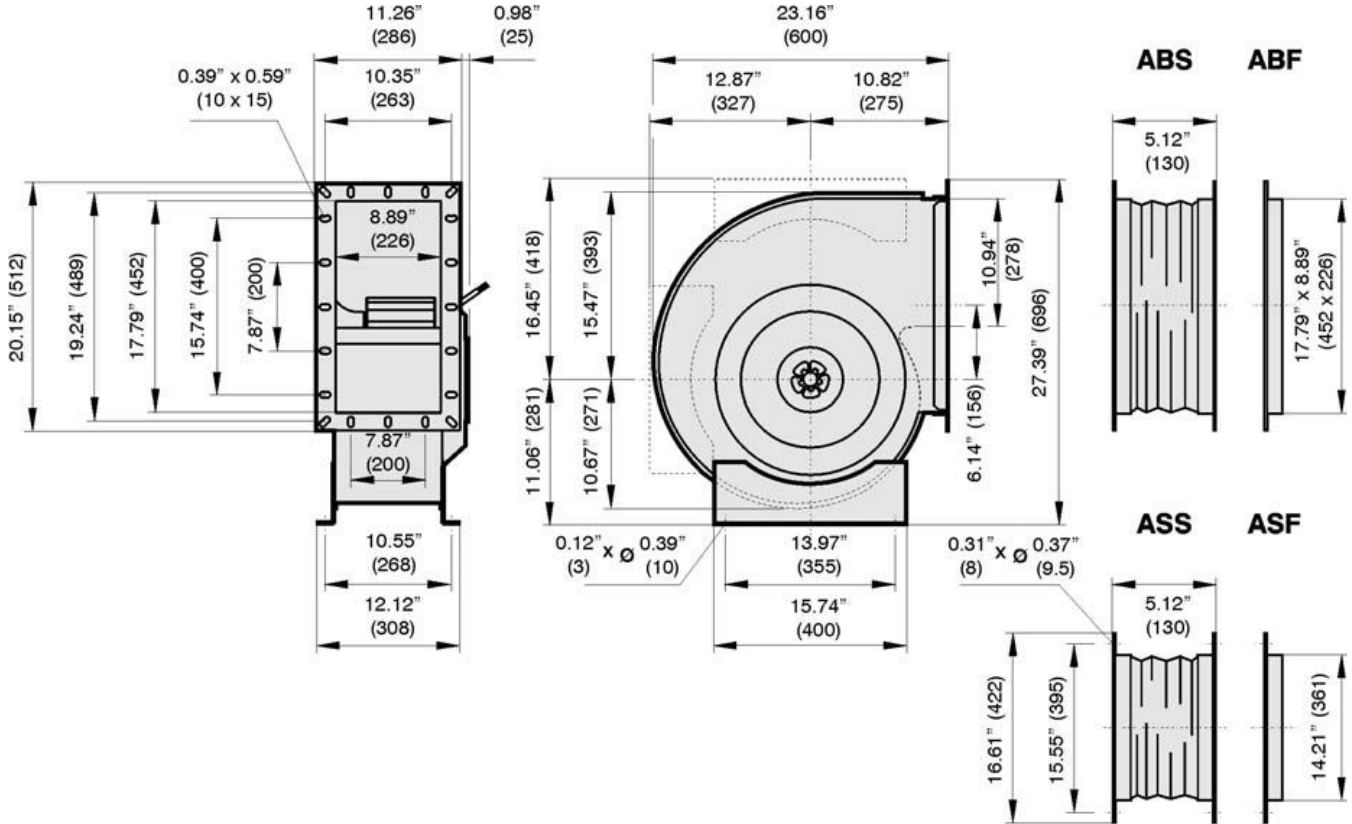




- compact and space saving design
- 100% speed controllable through auto transformers
- Motor protection through thermal contacts as standard

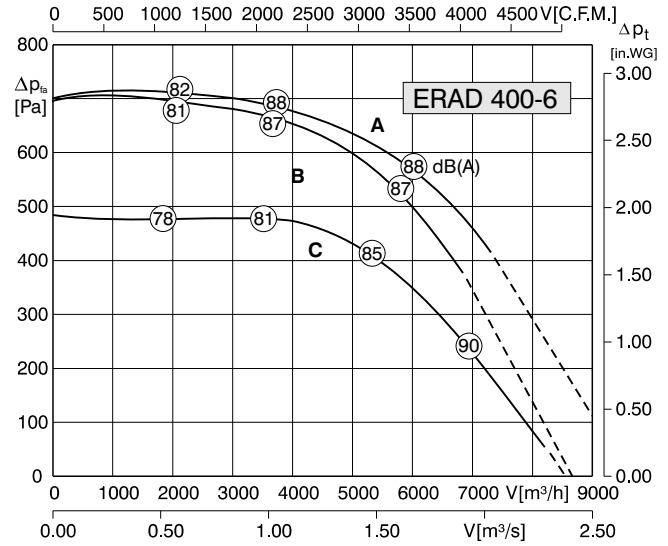


Type	U [Volt]	f [Hz]	Curve	P _i [kW]	I _N [A]	n [min ⁻¹]	t _r [°F]	t _r [°C]	C [μF]	ΔI [%]	I _A /I _N	▲	★	█ [kg]
ERAD 355-6	3~460Y	60	A	1.70	2.8	960	122	50	-	-	2.5	54	01.005	35
ERAD 355-6	3~230D	60	B	1.50	4.7	880	122	50	-	-	2.5	54	01.006	35
ERAD 355-6	3~400Y	50	C	1.50	2.75	760	104	40	-	-	2.6	54	01.005	35

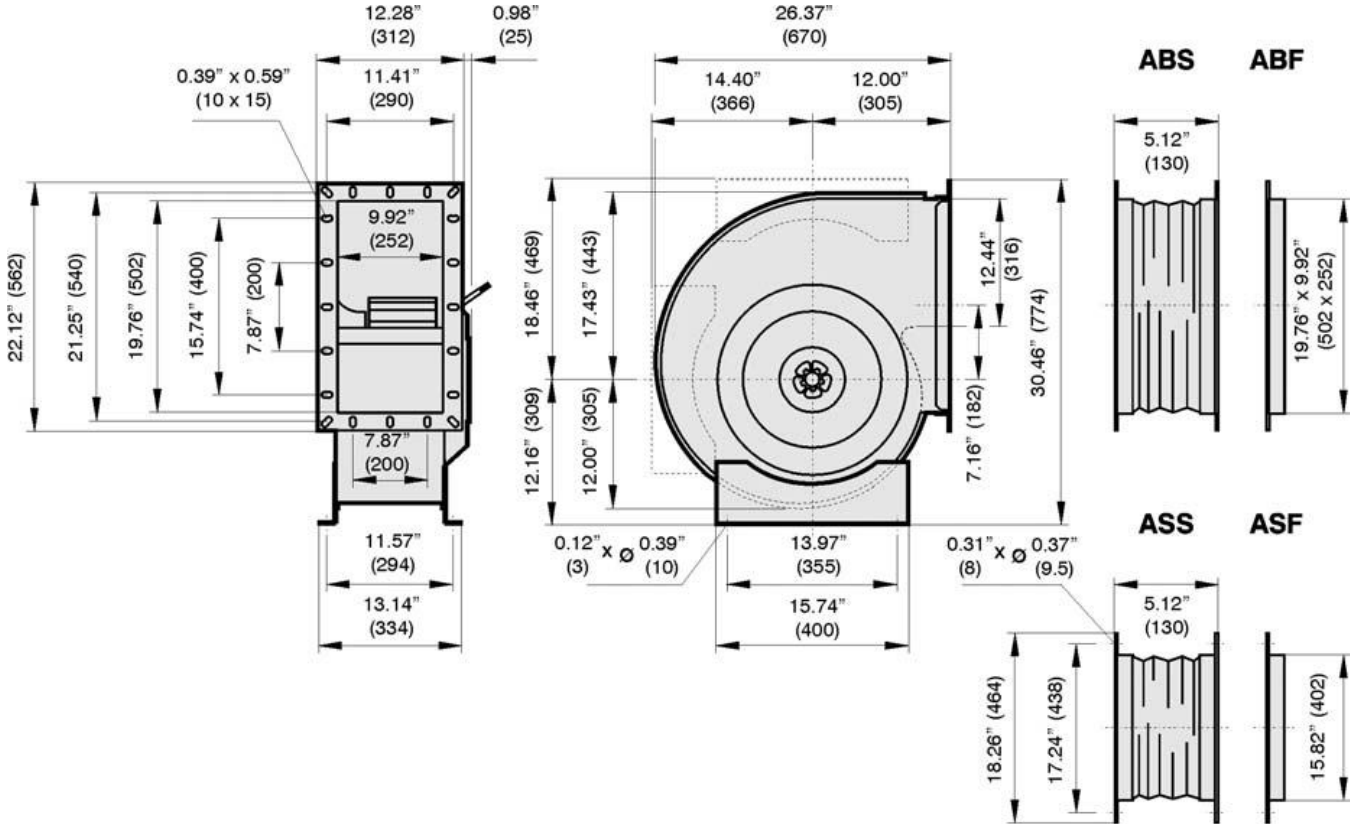




- compact and space saving design
- 100% speed controllable through auto transformers
- Motor protection through thermal contacts as standard

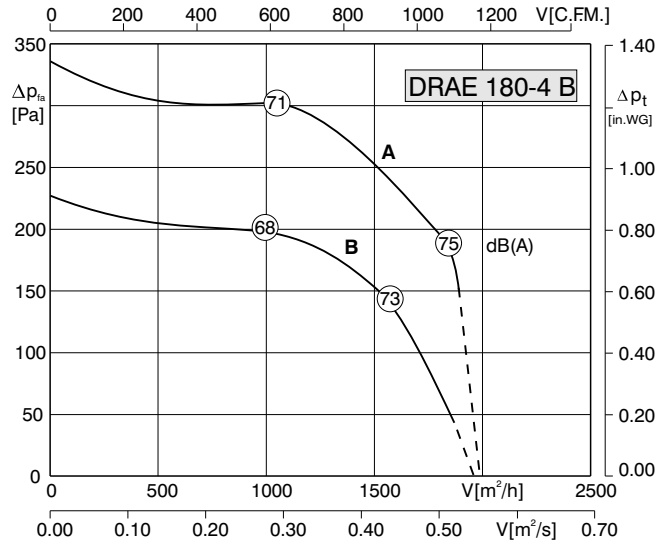


Type	U [Volt]	f [Hz]	Curve	P _i [kW]	I _N [A]	n [min ⁻¹]	t _R [°F]	t _R [°C]	C [μF]	ΔI [%]	I _A /I _N	▲	★	■ [kg]
ERAD 400-6	3~460Y	60	A	3.50	5.45	1040	104	40	-	-	3.1	54	01.005	64
ERAD 400-6	3~230D	60	B	3.20	9.70	970	104	40	-	-	3.1	54	01.006	64
ERAD 400-6	3~400Y	50	C	3.00	5.50	860	104	40	-	-	3.1	54	01.005	64

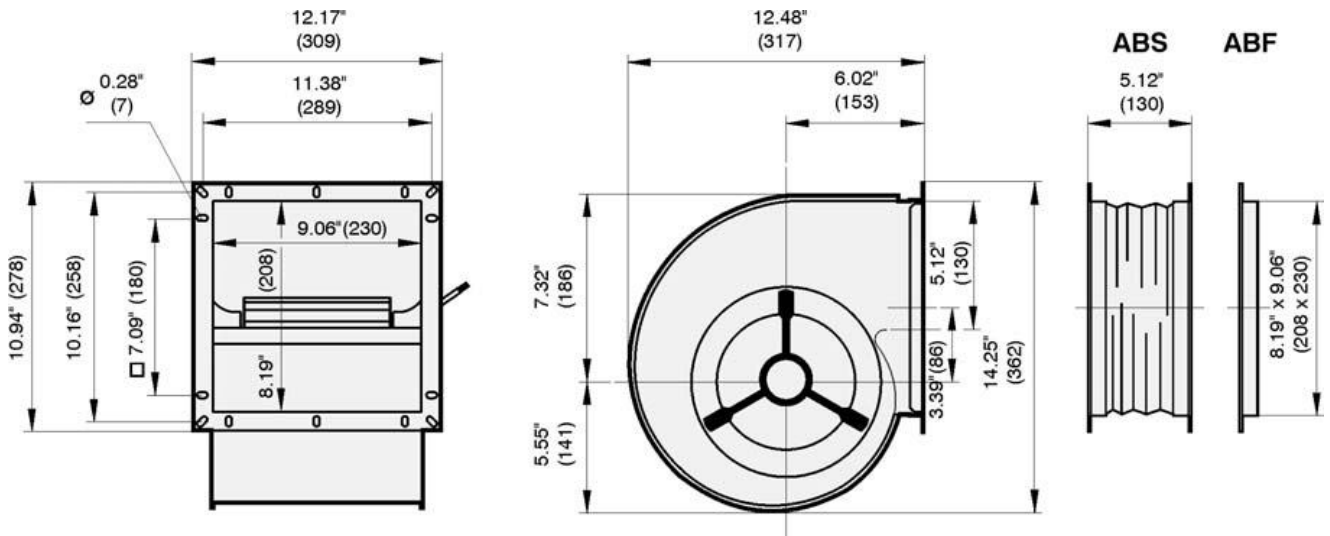




- compact and space saving design
- 100% speed controllable through auto transformers
- Motor protection through thermal contacts as standard

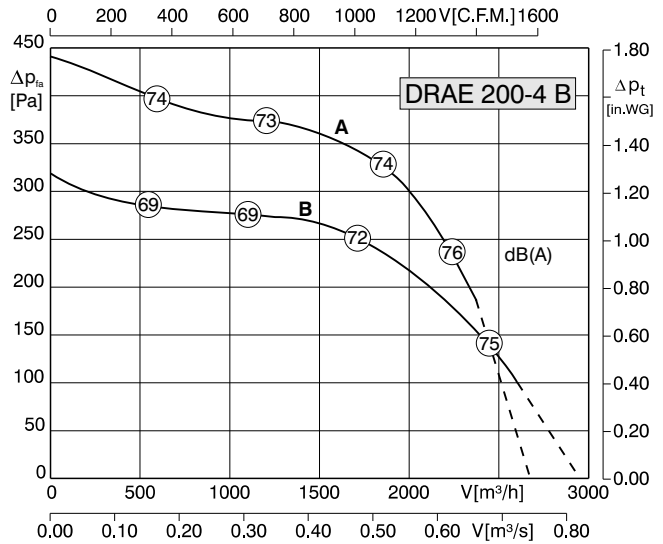


Type	U [Volt]	f [Hz]	Curve	P _i [kW]	I _N [A]	n [min ⁻¹]	t _r [°F]	t _r [°C]	C [μF]	ΔI [%]	I _A /I _N	▲	★	█ [kg]
DRAE 180-4 B	1~120	60	A	0.46	4.00	1420	122	50	24	-	1.8	54	01.025	9.5
DRAE 180-4 B	1~230	60	A	0.46	2.00	1420	122	50	6	-	1.8	54	01.025	9.5
DRAE 180-4 B	1~230	50	B	0.42	1.90	1250	122	50	6	21	2.0	54	01.025	9.5

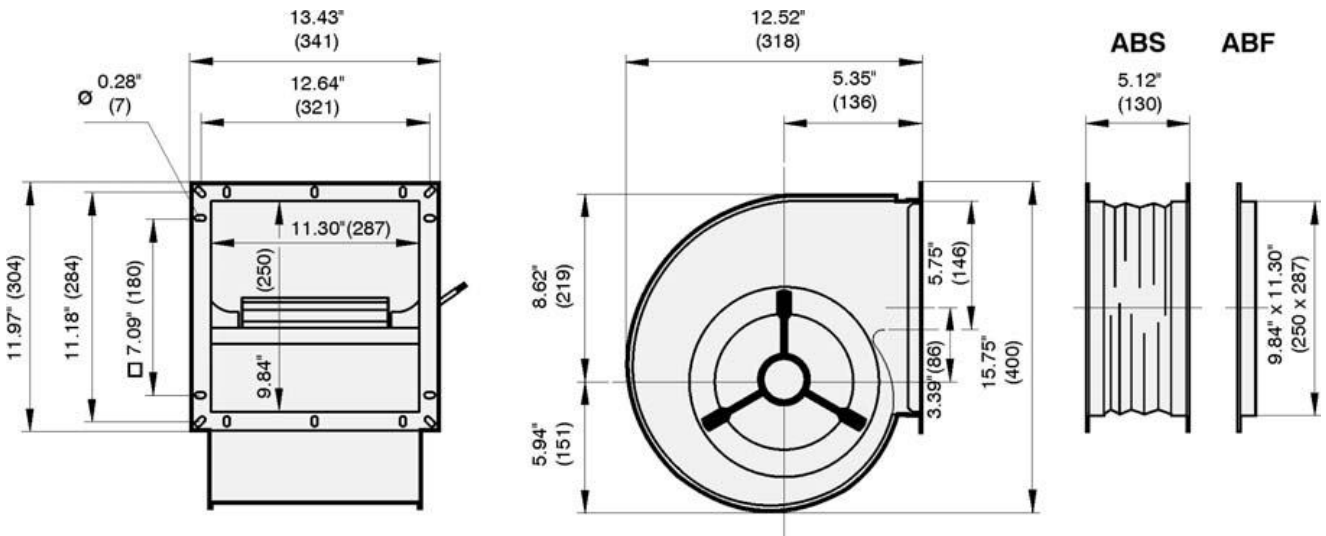




- compact and space saving design
- 100% speed controllable through auto transformers
- Motor protection through thermal contacts as standard

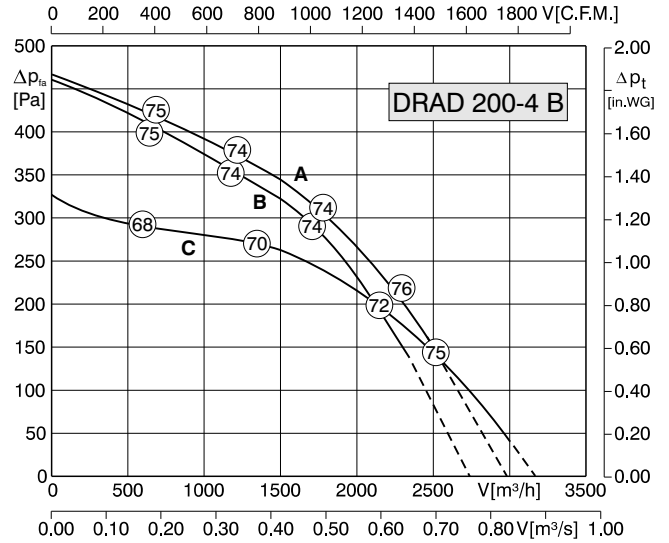


Type	U [Volt]	f [Hz]	Curve	P _i [kW]	I _N [A]	n [min ⁻¹]	t _R [°F]	t _R [°C]	C [μF]	ΔI [%]	I _A /I _N	▲	★	■ [kg]
DRAE 200-4 B	1~120	60	A	0.62	5.40	1350	122	50	40	-	1.5	54	01.025	13
DRAE 200-4 B	1~230	60	A	0.62	2.70	1350	122	50	10	-	1.5	54	01.025	13
DRAE 200-4 B	1~230	50	B	0.52	2.30	1250	122	50	10	2.0	1.8	54	01.025	13

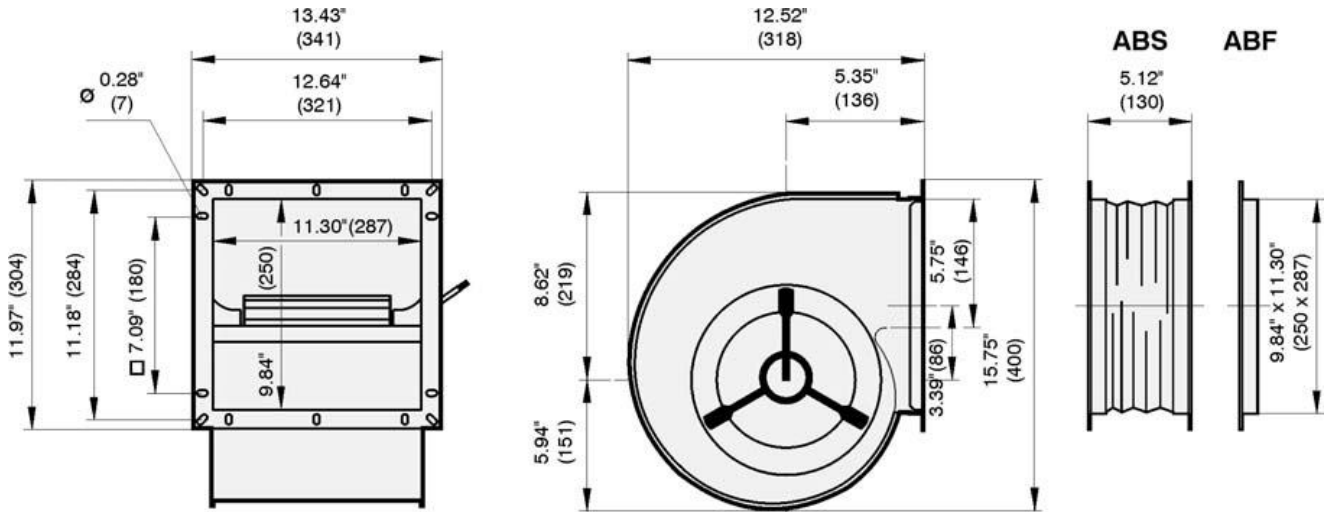




- compact and space saving design
- 100% speed controllable through auto transformers
- Motor protection through thermal contacts as standard

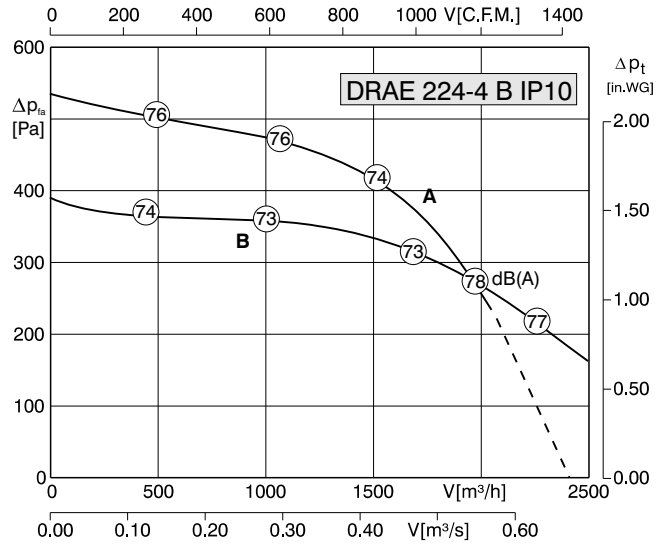


Type	U [Volt]	f [Hz]	Curve	P _i [kW]	I _N [A]	n [min ⁻¹]	t _r [°F]	t _r [°C]	C [μF]	ΔI [%]	I _A /I _N	▲	★	█ [kg]
DRAD 200-4 B	3~460Y	60	A	0.62	0.98	1470	104	40	-	-	2.3	54	01.005	11
DRAD 200-4 B	3~230D	60	B	0.57	1.65	1400	104	40	-	-	2.3	54	01.006	11
DRAD 200-4 B	3~400Y	50	C	0.56	0.98	1170	104	40	-	-	2.4	54	01.005	11

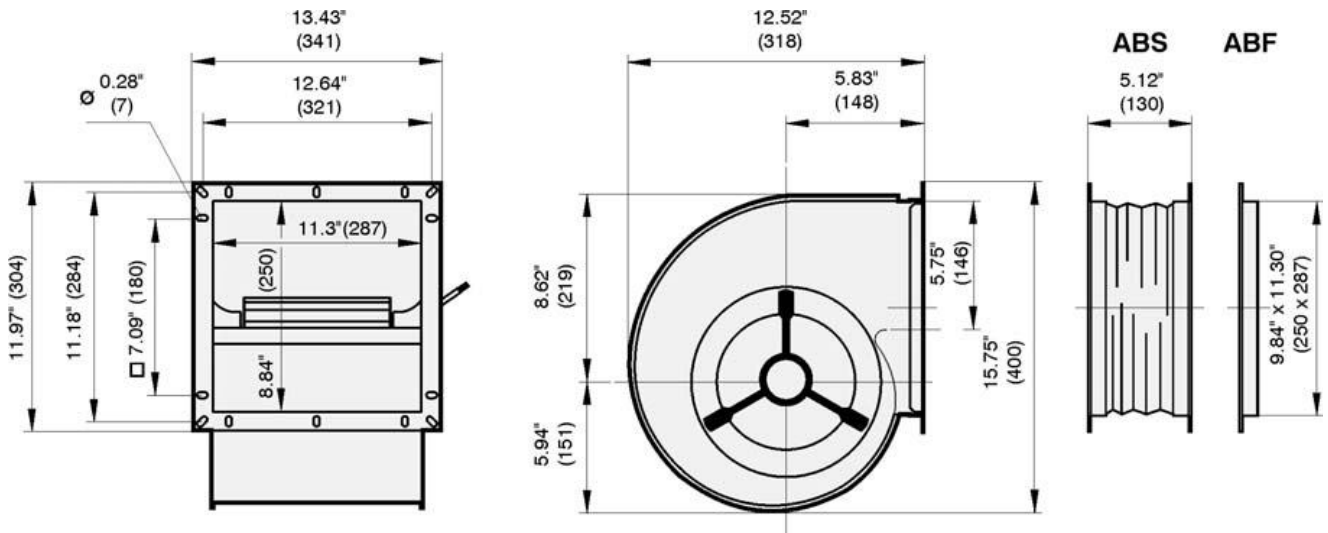




- compact and space saving design
- 100% speed controllable through auto transformers
- Motor protection through thermal contacts as standard

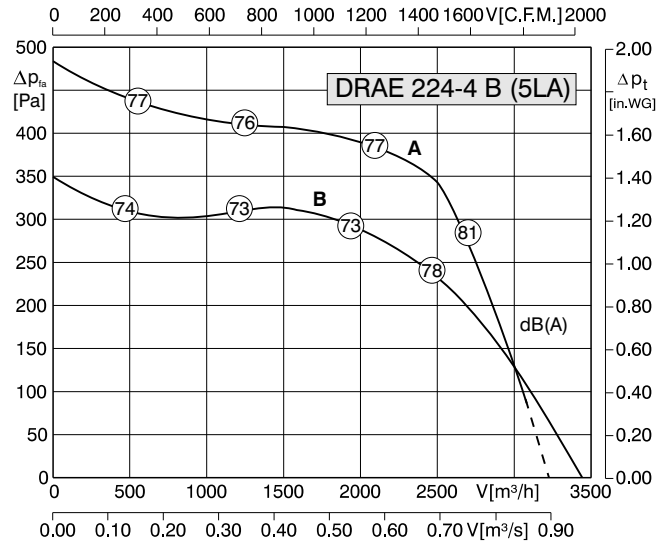


Type	U [Volt]	f [Hz]	Curve	P _i [kW]	I _N [A]	n [min ⁻¹]	t _R [°F]	t _R [°C]	C [μF]	ΔI [%]	I _A /I _N	▲	★	■ [kg]
DRAE 224 B (IP10)-4	1~120	60	A	0.68	5.80	1200	122	50	40	-	1.5	54	01.025	13.5
DRAE 224 B (IP10)-4	1~230	60	A	0.68	2.90	1200	122	50	10	-	1.5	54	01.025	13.5
DRAE 224 B (IP10)-4	1~230	50	B	0.57	2.50	1250	122	50	10	2	1.8	54	01.025	13.5

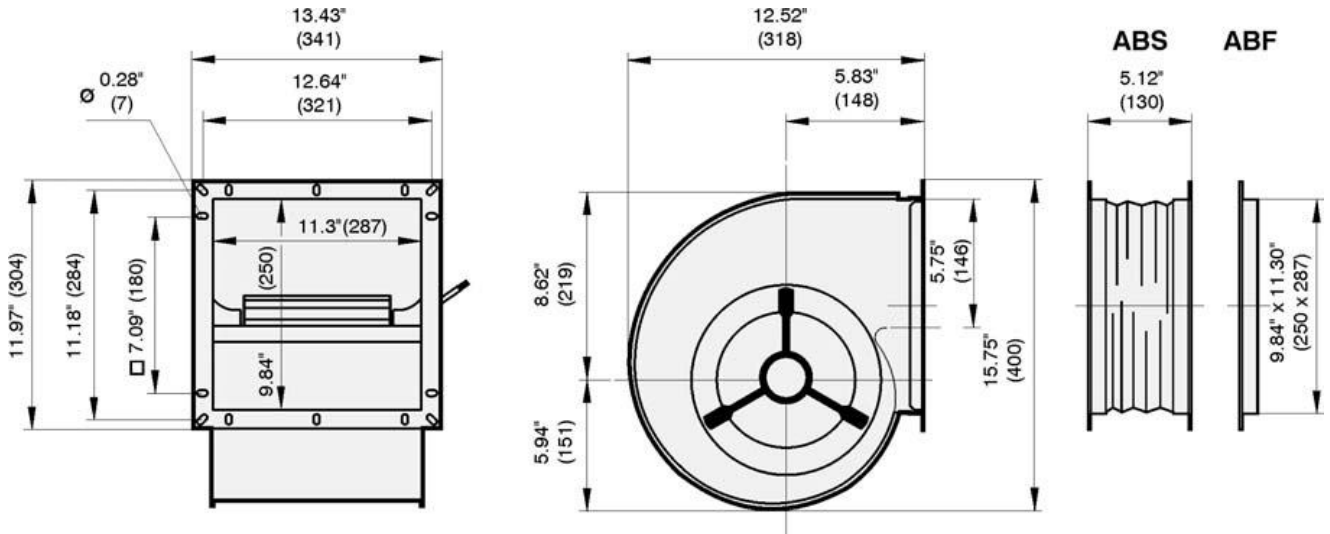




- compact and space saving design
- 100% speed controllable through auto transformers
- Motor protection through thermal contacts as standard

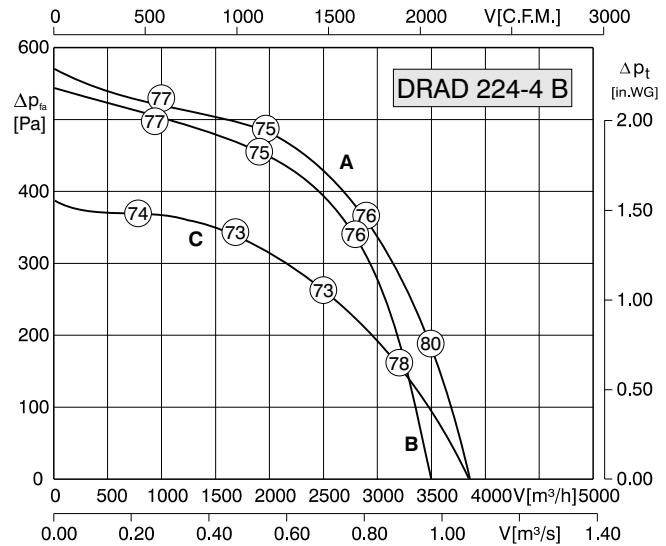


Type	U [Volt]	f [Hz]	Curve	P _i [kW]	I _N [A]	n [min ⁻¹]	t _r [°F]	t _r [°C]	C [μF]	ΔI [%]	I _A /I _N	▲	★	█ [kg]
DRAE 224-4 B (5LA)	1~115	60	A	1.30	11	1240	104	40	50	-	1.6	54	01.025	16
DRAE 224-4 B (5LA)	1~230	60	A	1.30	5.50	1240	104	40	14	-	1.6	54	01.025	16
DRAE 224-4 B (5LA)	1~230	50	B	1.10	4.70	1140	140	60	14	20	1.8	54	01.025	16

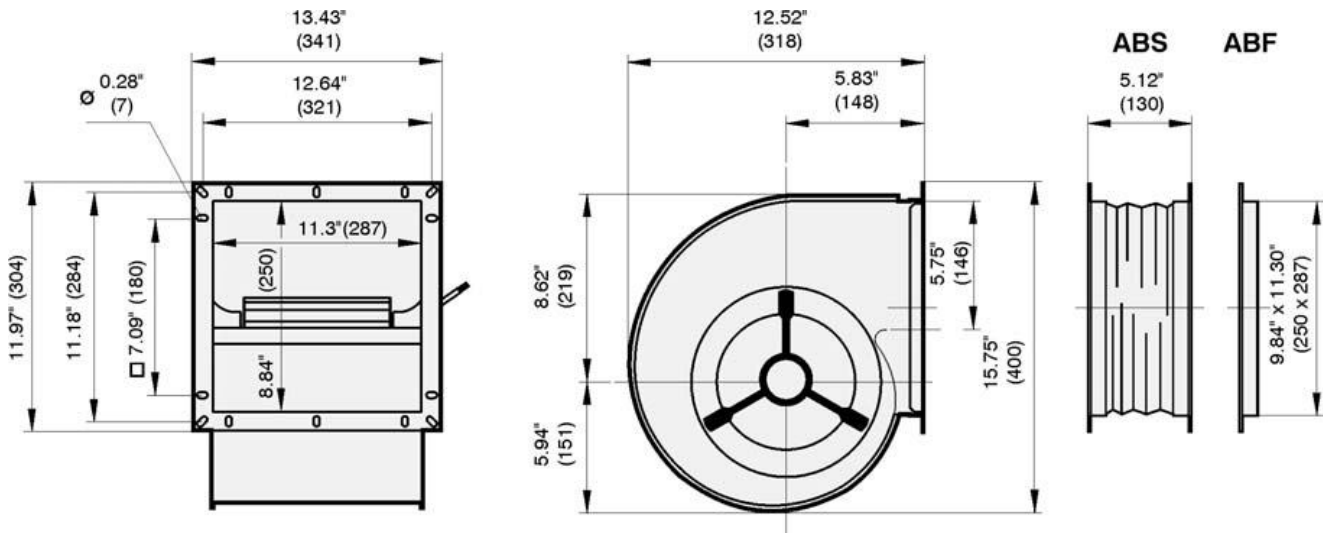




- compact and space saving design
- 100% speed controllable through auto transformers
- Motor protection through thermal contacts as standard

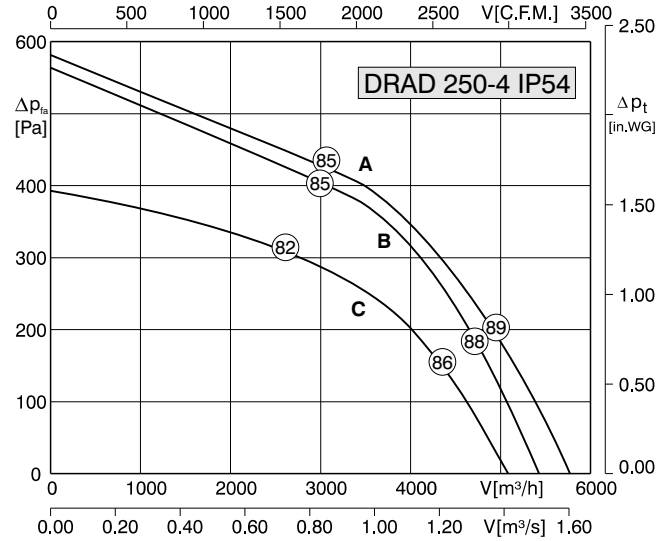


Type	U [Volt]	f [Hz]	Curve	P _i [kW]	I _N [A]	n [min ⁻¹]	t _R [°F]	t _R [°C]	C [μF]	ΔI [%]	I _A /I _N	▲	★	■ [kg]
DRAD 224-4 B	3~460Y	60	A	0.92	1.45	1515	104	40	-	-	2.6	54	01.005	14
DRAD 224-4 B	3~230D	60	B	0.83	2.45	1380	104	40	-	-	2.6	54	01.006	14
DRAD 224-4 B	3~400Y	50	C	0.87	1.50	1210	104	40	-	-	2.5	54	01.005	14

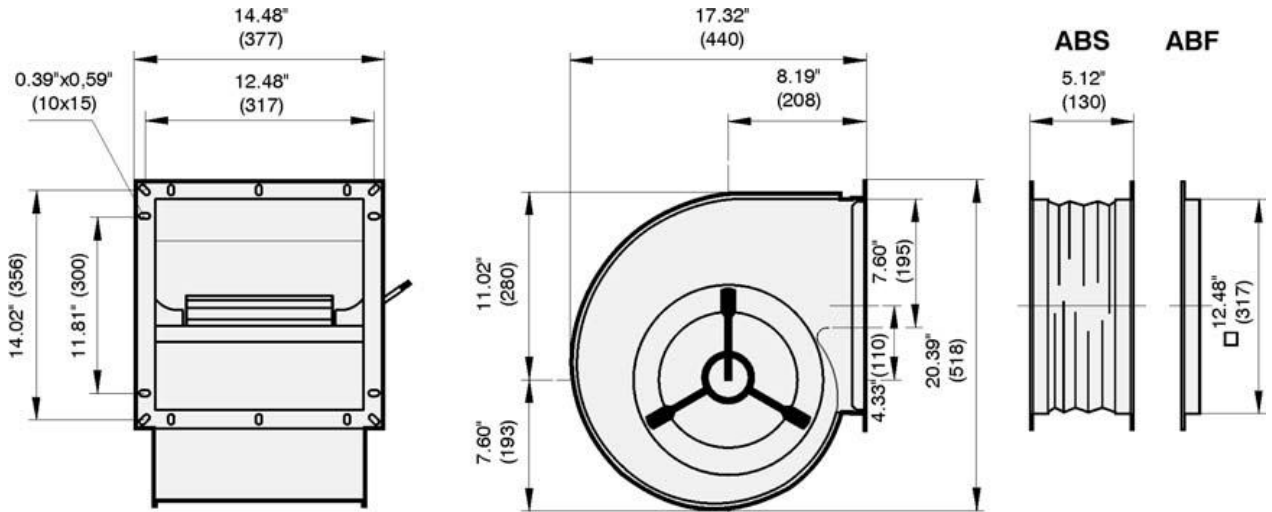




- compact and space saving design
- 100% speed controllable through auto transformers
- Motor protection through thermal contacts as standard

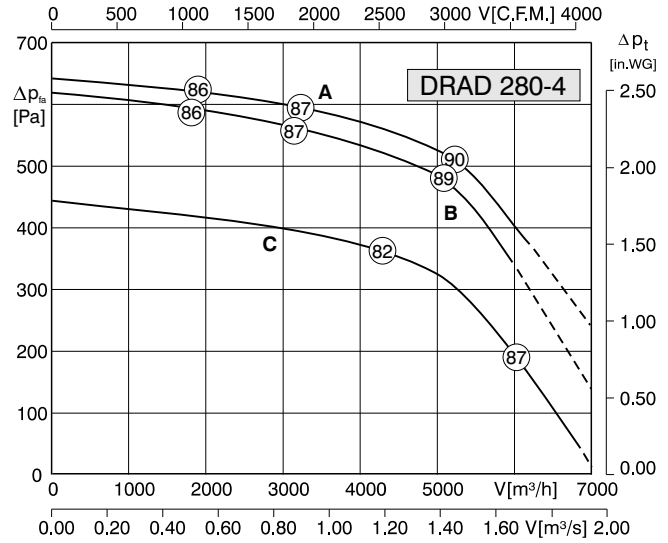


Type	U [Volt]	f [Hz]	Curve	P _i [kW]	I _N [A]	n [min ⁻¹]	t _r [°F]	t _r [°C]	C [μF]	ΔI [%]	I _A /I _N	▲	★	█ [kg]
DRAD 250-4 IP54	3~460Y	60	A	1.50	2.60	1550	122	50	-	-	2.9	54	01.005	29
DRAD 250-4 IP54	3~230D	60	B	1.40	2.40	1480	122	50	-	-	2.9	54	01.006	29
DRAD 250-4 IP54	3~400Y	50	C	1.60	2.95	1200	140	60	-	-	2.5	54	01.005	29

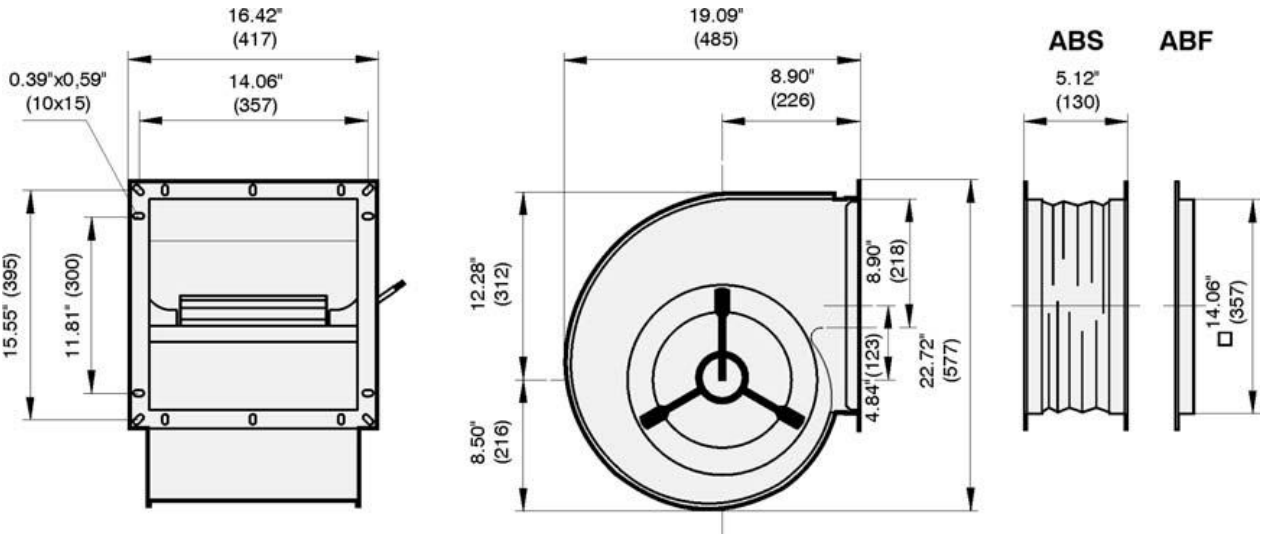




- compact and space saving design
- 100% speed controllable through auto transformers
- Motor protection through thermal contacts as standard

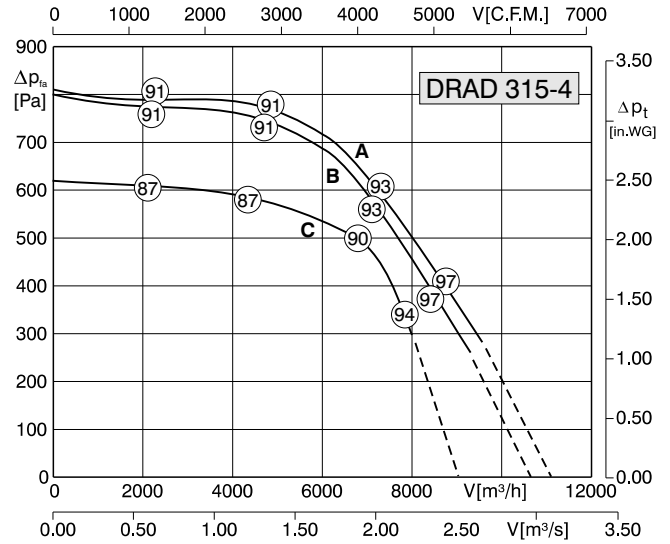


Type	U [Volt]	f [Hz]	Curve	P _i [kW]	I _N [A]	n [min ⁻¹]	t _R [°F]	t _R [°C]	C [μF]	ΔI [%]	I _A /I _N	▲	★	■ [kg]
DRAD 280-4	3~460Y	60	A	3.20	4.50	1530	122	50	-	13	3.5	54	01.005	40
DRAD 280-4	3~230D	60	B	3.00	8.20	1440	122	50	-	8	3.5	54	01.006	40
DRAD 280-4	3~400Y	50	C	2.70	4.30	1250	140	60	-	8	5.0	54	01.005	40

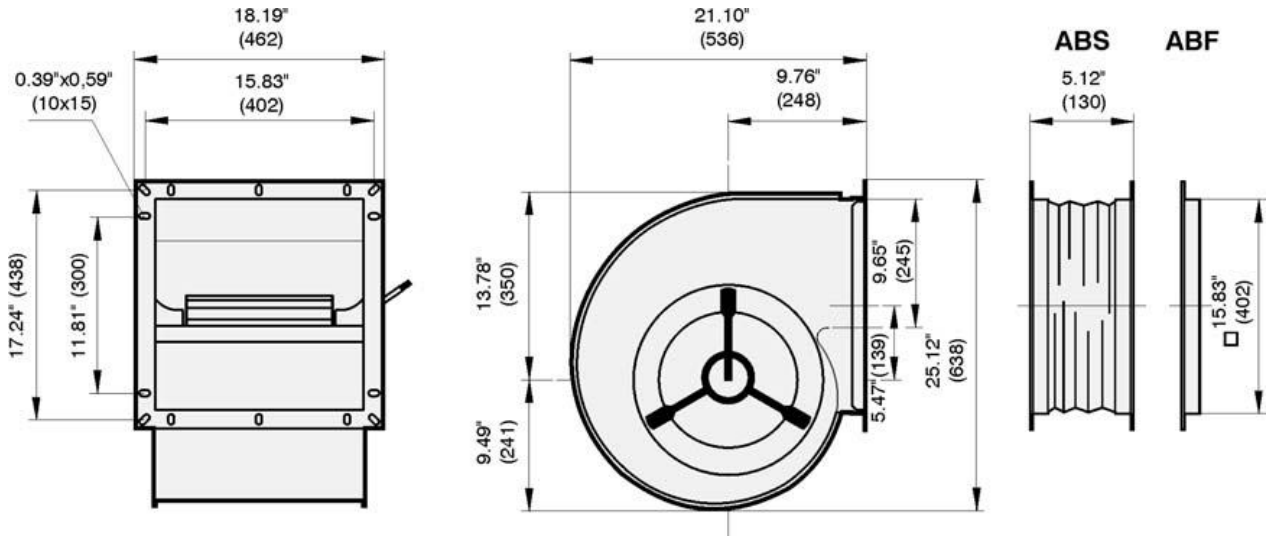




- compact and space saving design
- 100% speed controllable through auto transformers
- Motor protection through thermal contacts as standard

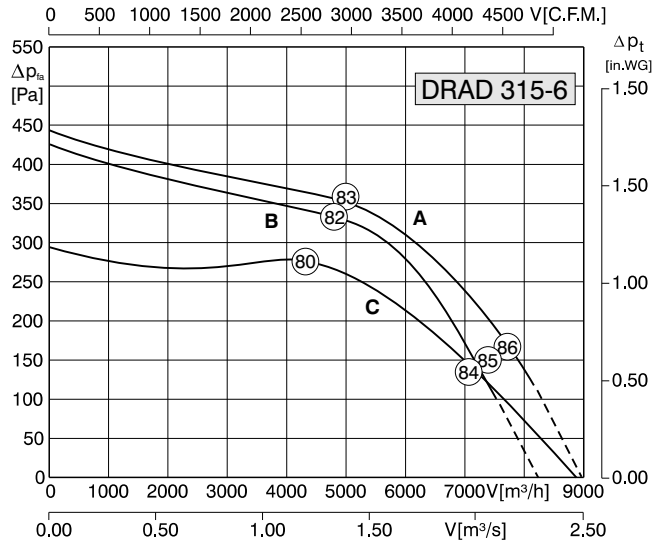


Type	U [Volt]	f [Hz]	Curve	P _i [kW]	I _N [A]	n [min ⁻¹]	t _r [°F]	t _r [°C]	C [μF]	ΔI [%]	I _A /I _N	▲	★	█ [kg]
DRAD 315-4	3~460Y	60	A	6.20	9.70	1630	122	50	-	10	4.5	54	01.005	60
DRAD 315-4	3~230D	60	B	5.80	17.0	1570	122	50	-	8	4.5	54	01.006	60
DRAD 315-4	3~400Y	50	C	4.50	8.70	1370	140	60	-	-	4.3	54	01.005	60

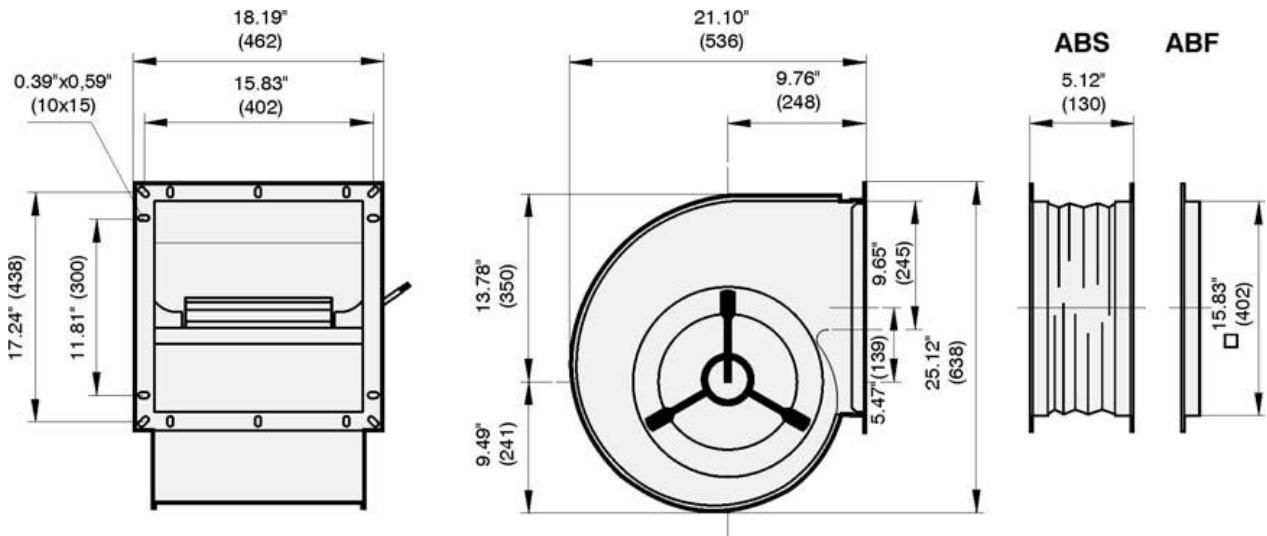




- compact and space saving design
- 100% speed controllable through auto transformers
- Motor protection through thermal contacts as standard

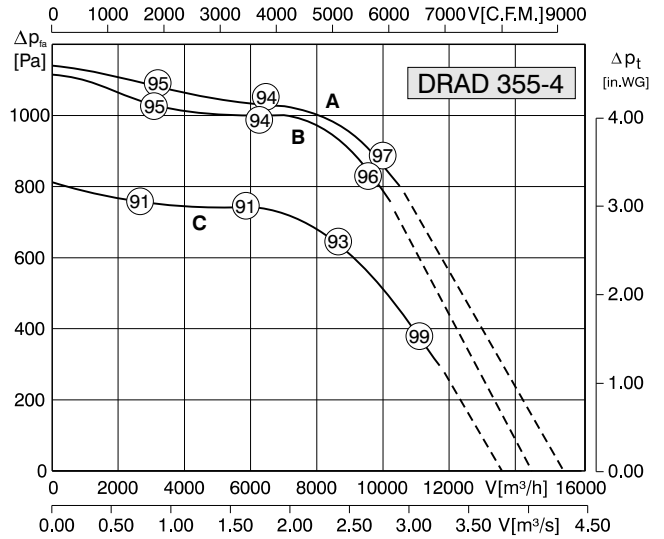


Type	U [Volt]	f [Hz]	Curve	P _i [kW]	I _N [A]	n [min ⁻¹]	t _R [°F]	t _R [°C]	C [μF]	ΔI [%]	I _A /I _N	▲	★	■ [kg]
DRAD 315-6	3~460Y	60	A	2.50	3.90	880	122	50	-	-	2.2	54	01.005	36.5
DRAD 315-6	3~230D	60	B	2.20	6.80	815	122	50	-	-	2.2	54	01.006	36.5
DRAD 315-6	3~400Y	50	C	2.10	3.70	780	140	60	-	-	2.6	54	01.005	36.5

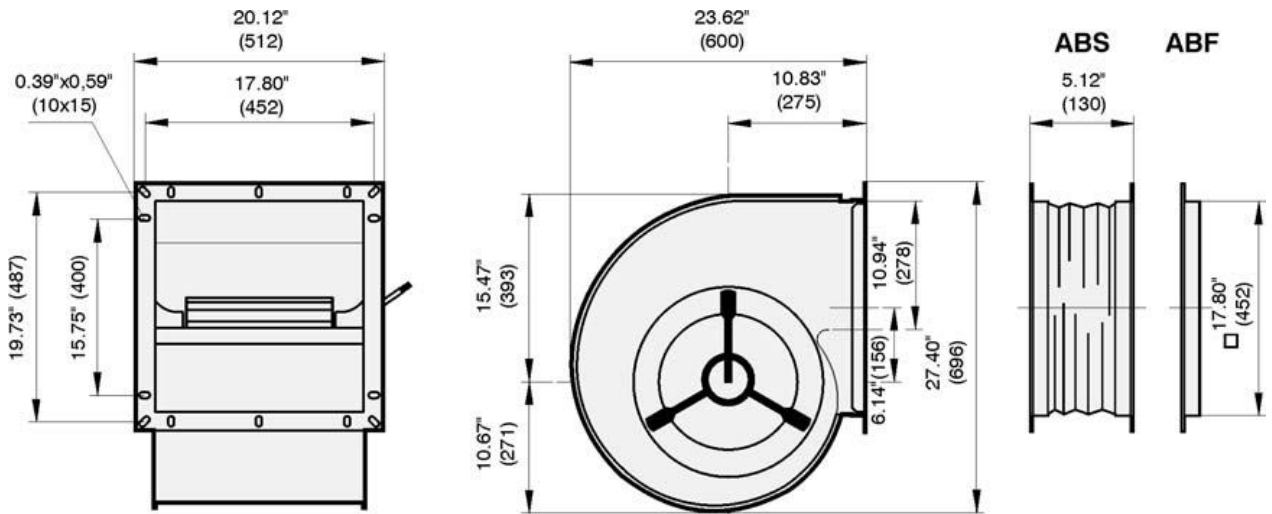




- compact and space saving design
- 100% speed controllable through auto transformers
- Motor protection through thermal contacts as standard

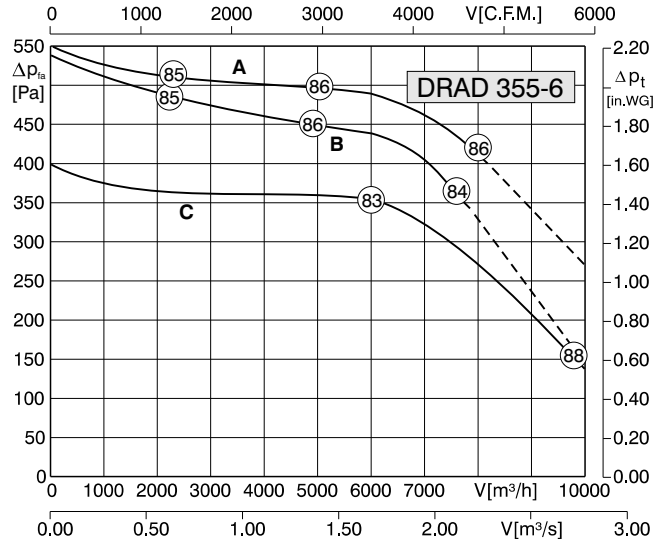


Type	U [Volt]	f [Hz]	Curve	P _i [kW]	I _N [A]	n [min ⁻¹]	t _r [°F]	t _r [°C]	C [μF]	ΔI [%]	I _A /I _N	▲	★	█ [kg]
DRAD 355-4	3~460Y	60	A	7.65	11.7	1655	104	40	-	24	4.7	54	01.005	79
DRAD 355-4	3~230D	60	B	7.30	21.3	1610	104	40	-	18	4.5	54	01.006	79
DRAD 355-4	3~400Y	50	C	6.65	11.8	1365	104	40	-	11	3.7	54	01.005	79

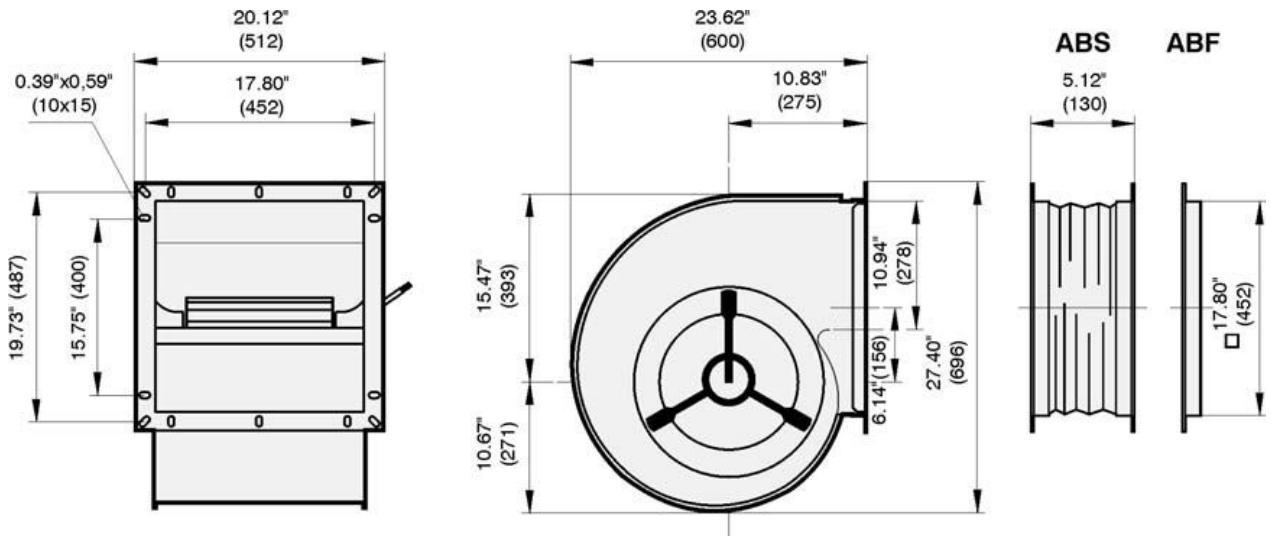




- compact and space saving design
- 100% speed controllable through auto transformers
- Motor protection through thermal contacts as standard

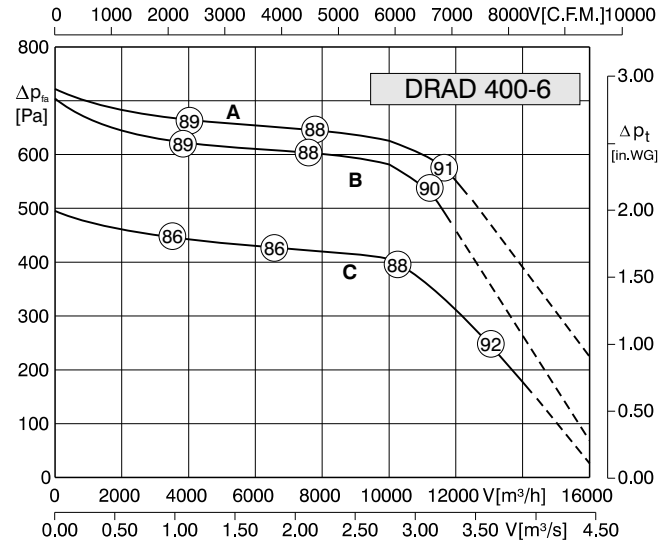


Type	U [Volt]	f [Hz]	Curve	P _i [kW]	I _N [A]	n [min ⁻¹]	t _R [°F]	t _R [°C]	C [μF]	ΔI [%]	I _A /I _N	▲	★	■ [kg]
DRAD 355-6	3~460Y	60	A	3.10	4.70	990	104	40	-	2	3.0	54	01.005	50.5
DRAD 355-6	3~230D	60	B	2.80	8.30	910	104	40	-	-	3.0	54	01.006	50.5
DRAD 355-6	3~400Y	50	C	2.95	5.20	790	104	40	-	-	3.0	54	01.006	50.5

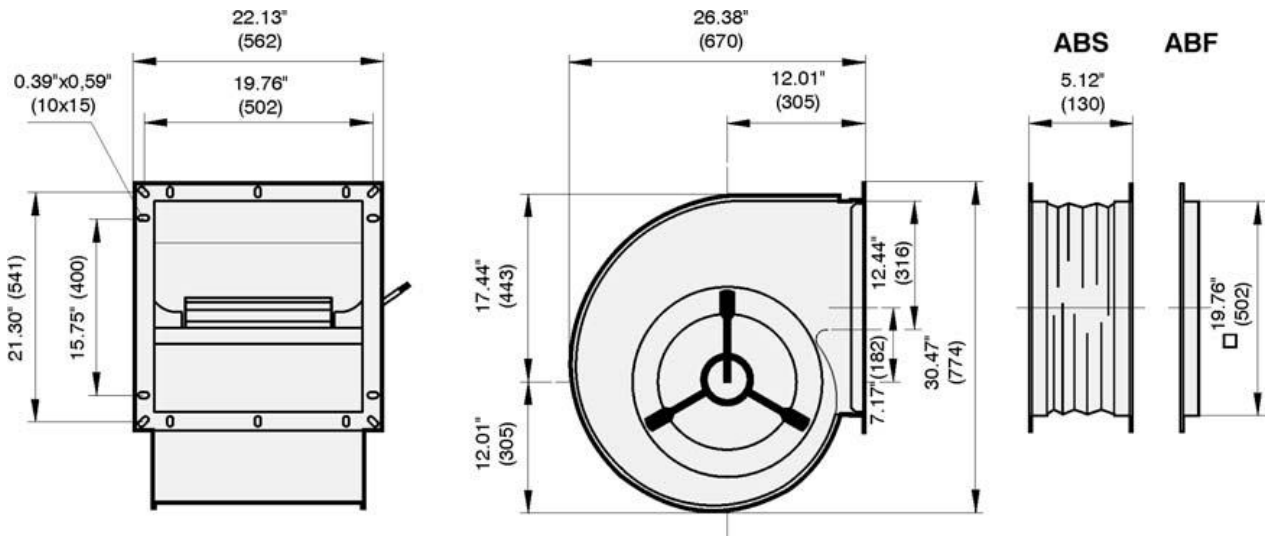




- compact and space saving design
- 100% speed controllable through auto transformers
- Motor protection through thermal contacts as standard

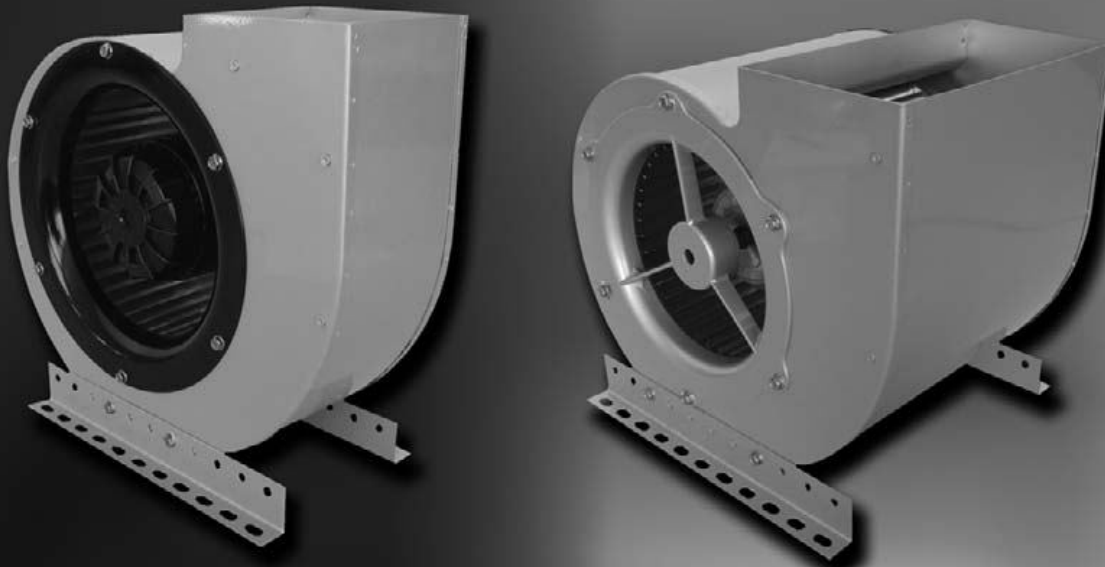


Type	U [Volt]	f [Hz]	Curve	P _i [kW]	I _N [A]	n [min ⁻¹]	t _r [°F]	t _r [°C]	C [μF]	ΔI [%]	I _A /I _N	▲	★	█ [kg]
DRAD 400-6	3~460Y	60	A	5.70	9.6	1040	122	50	-	4	3.2	54	01.005	94
DRAD 400-6	3~230D	60	B	5.20	17	990	122	50	-	4	3.2	54	01.006	94
DRAD 400-6	3~400Y	50	C	5.30	10	845	104	40	-	3	3.2	54	01.005	94



High Efficiency Radial Fans

with compact casing

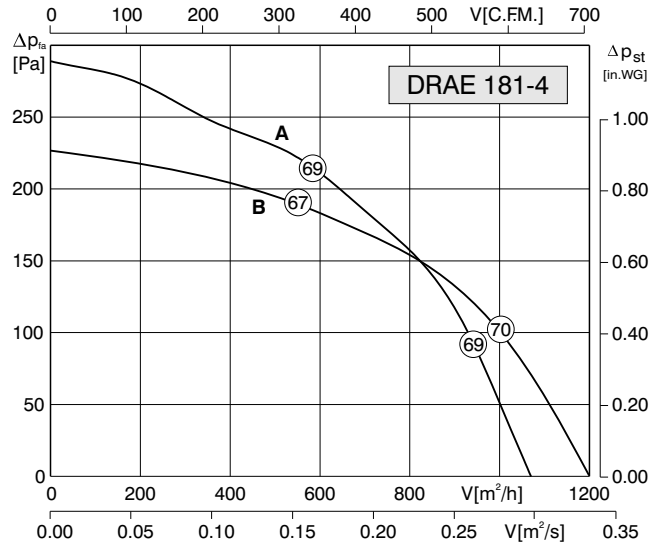


Advantages:

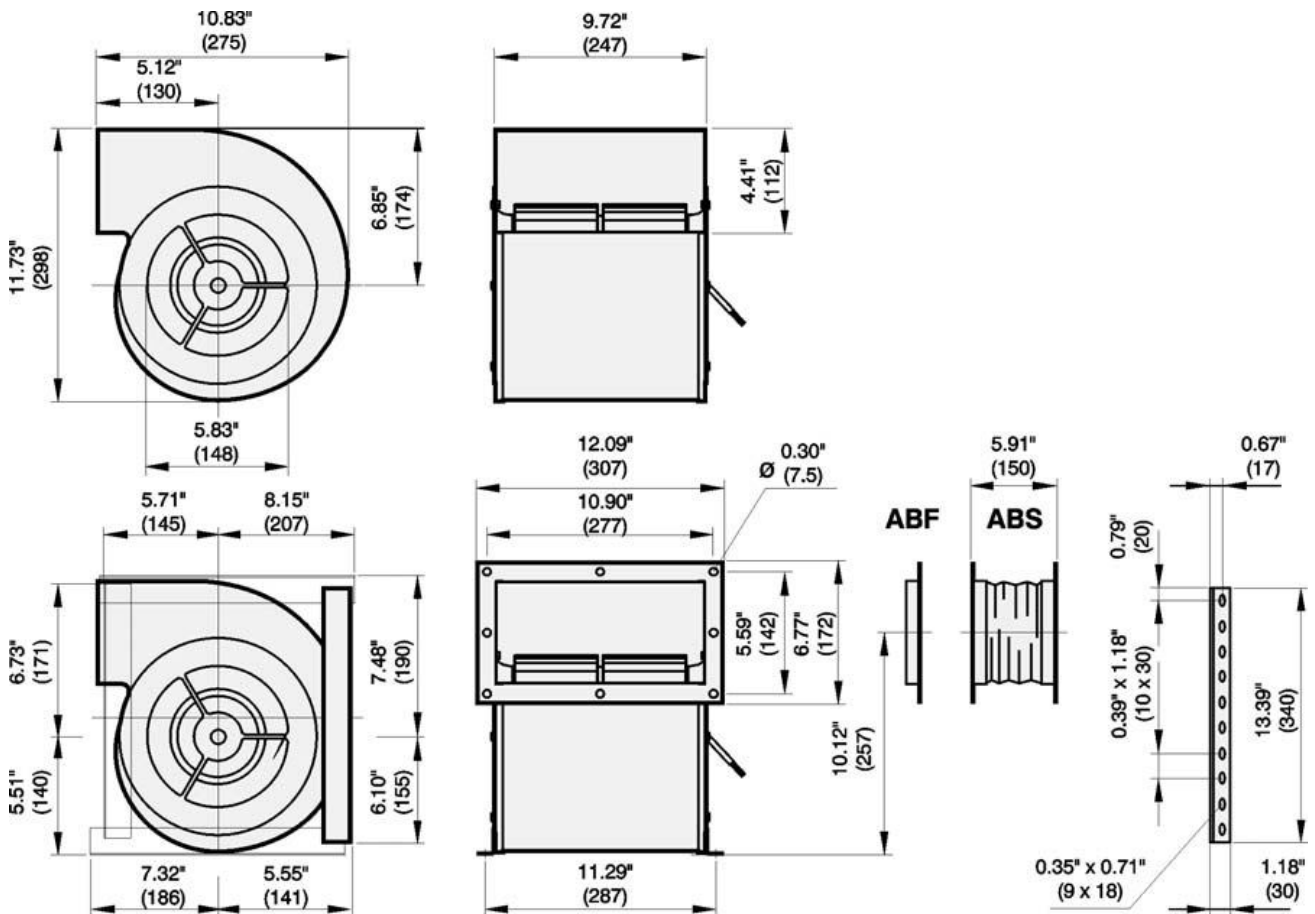
- Steep pressure-volume-performance curve
- The speed is 0-100% adjustable using auto transformers or electronic control
- Easy air volume adjustments via a large range of control products based on pressure and temperature
- Compact and space saving design
- Easy installation in many positions
- Extremely low starting currents
- Motor protection by thermal contacts in motor windings



- Steep pressure-volume-performance curve
- compact and space saving design
- 100% speed controllable through auto transformers
- Motor protection through thermal contacts as standard

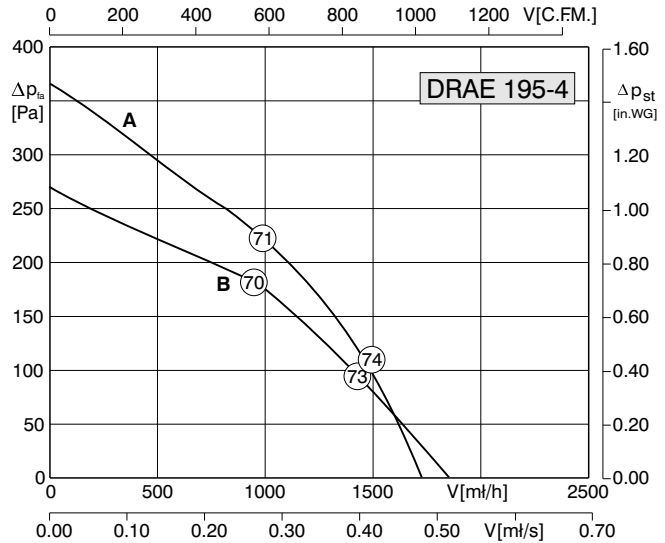


Type	U [Volt]	f [Hz]	Curve	P _i [kW]	I _N [A]	n [min ⁻¹]	t _r [°F]	t _r [°C]	C [μF]	ΔI [%]	I _A /I _N	▲	★	█ [kg]
DRAE 181-4	1~120	60	A	0.23	2.10	960	158	70	16	-	1.1	54	01.025	10
DRAE 181-4	1~230	60	A	0.23	1.05	960	158	70	4	-	1.1	54	01.025	10
DRAE 181-4	1~230	50	B	0.20	0.90	1060	158	70	4	-	1.5	54	01.025	10

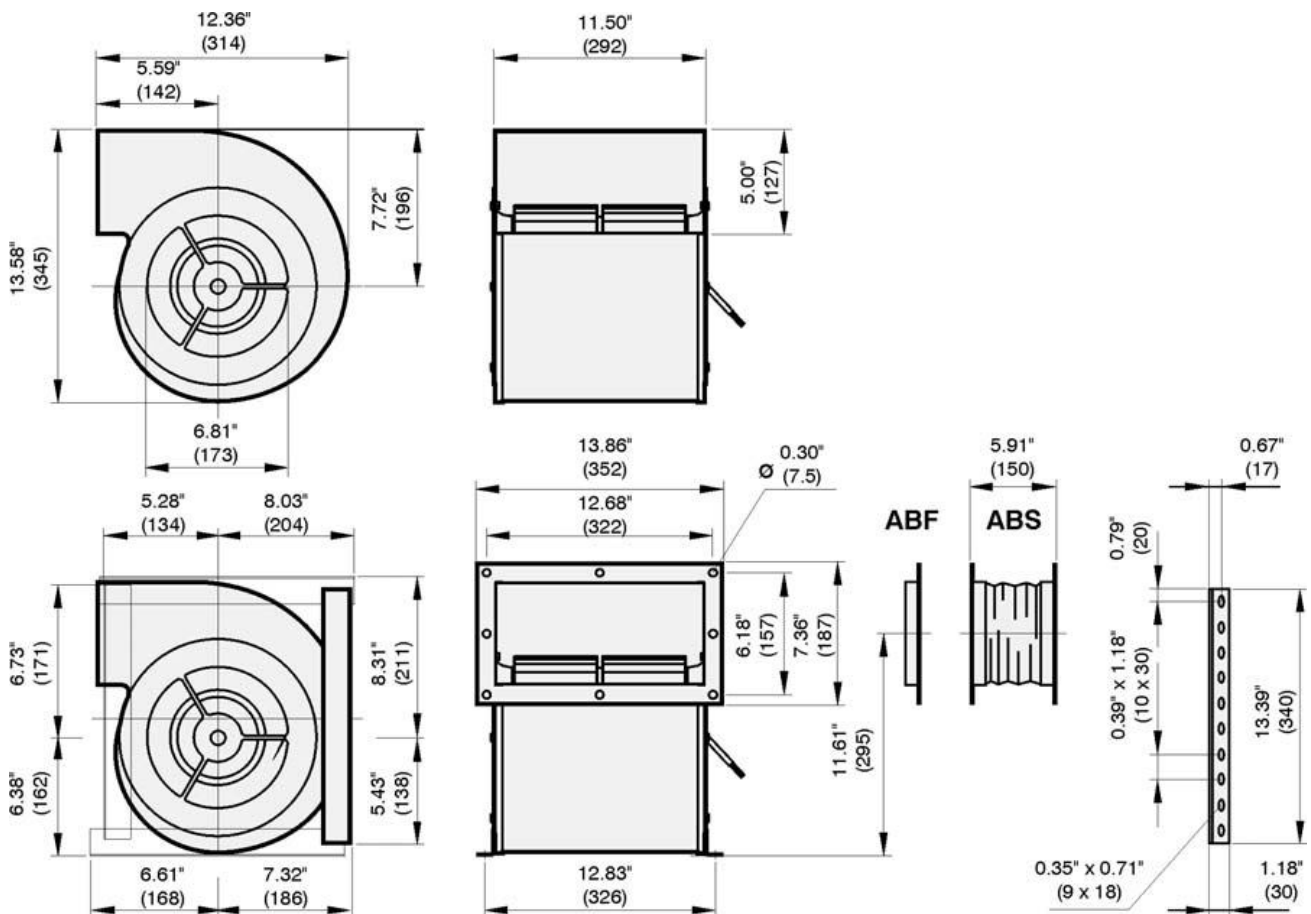




- Steep pressure-volume-performance curve
- compact and space saving design
- 100% speed controllable through auto transformers
- Motor protection through thermal contacts as standard

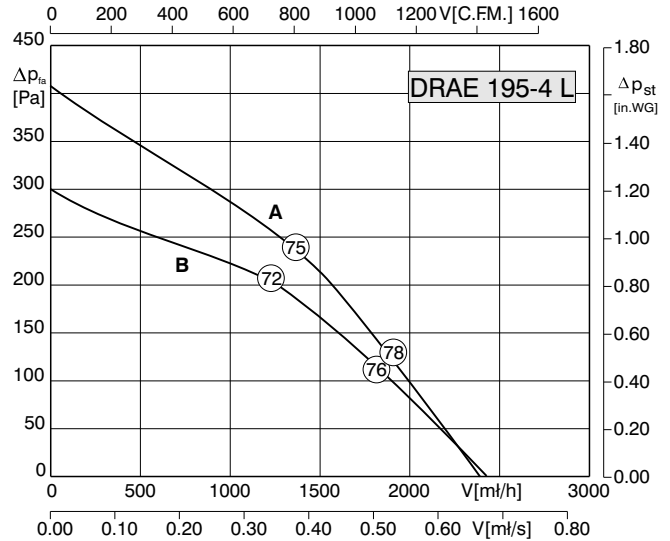


Type	U [Volt]	f [Hz]	Curve	P _i [kW]	I _N [A]	n [min ⁻¹]	t _R [°F]	t _R [°C]	C [μF]	ΔI [%]	I _A /I _N	▲	★	■ [kg]
DRAE 195-4	1~120	60	A	0.32	2.80	880	140	60	20	-	1.1	54	01.025	11.5
DRAE 195-4	1~230	60	A	0.32	1.40	880	140	60	5	-	1.1	54	01.025	11.5
DRAE 195-4	1~230	50	B	0.28	1.20	950	158	70	5	-	1.4	54	01.025	11.5

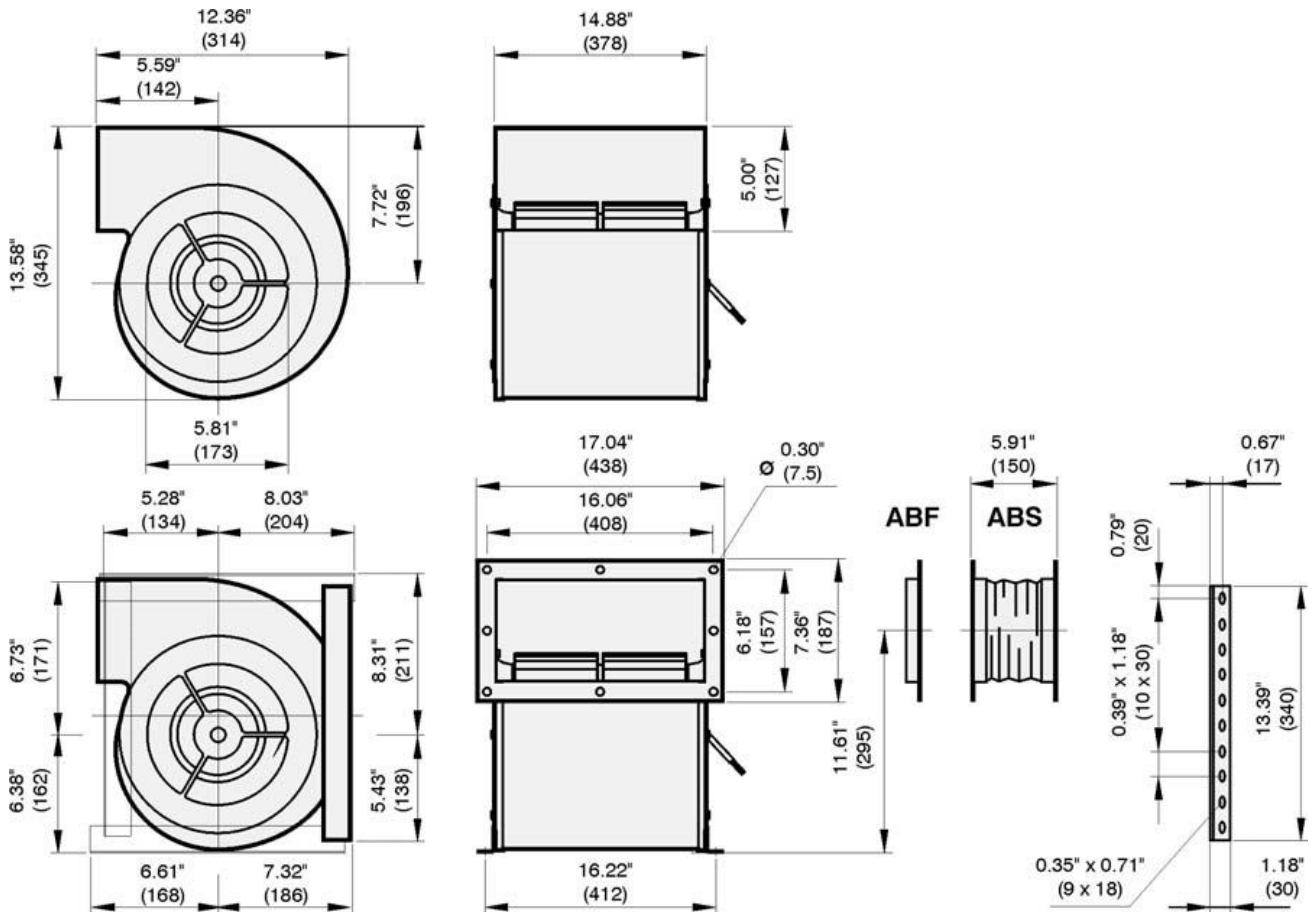




- Steep pressure-volume-performance curve
- compact and space saving design
- 100% speed controllable through auto transformers
- Motor protection through thermal contacts as standard

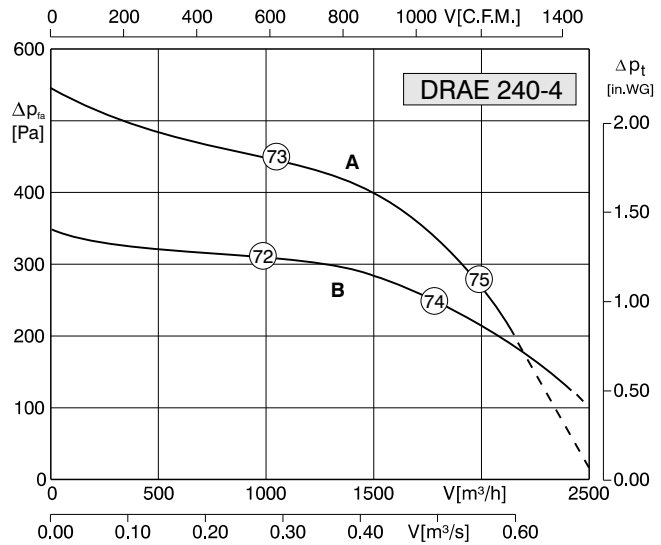


Type	U [Volt]	f [Hz]	Curve	P _i [kW]	I _N [A]	n [min ⁻¹]	t _r [°F]	t _r [°C]	C [μF]	ΔI [%]	I _A /I _N	▲	★	█
DRAE 195-4L	1~120	60	A	0.51	4.80	1130	122	50	30	-	1.2	54	01.025	13
DRAE 195-4L	1~230	60	A	0.51	2.40	1130	122	50	8	-	1.2	54	01.025	13
DRAE 195-4L	1~230	50	B	0.40	1.80	1150	158	70	8	-	1.7	54	01.025	13

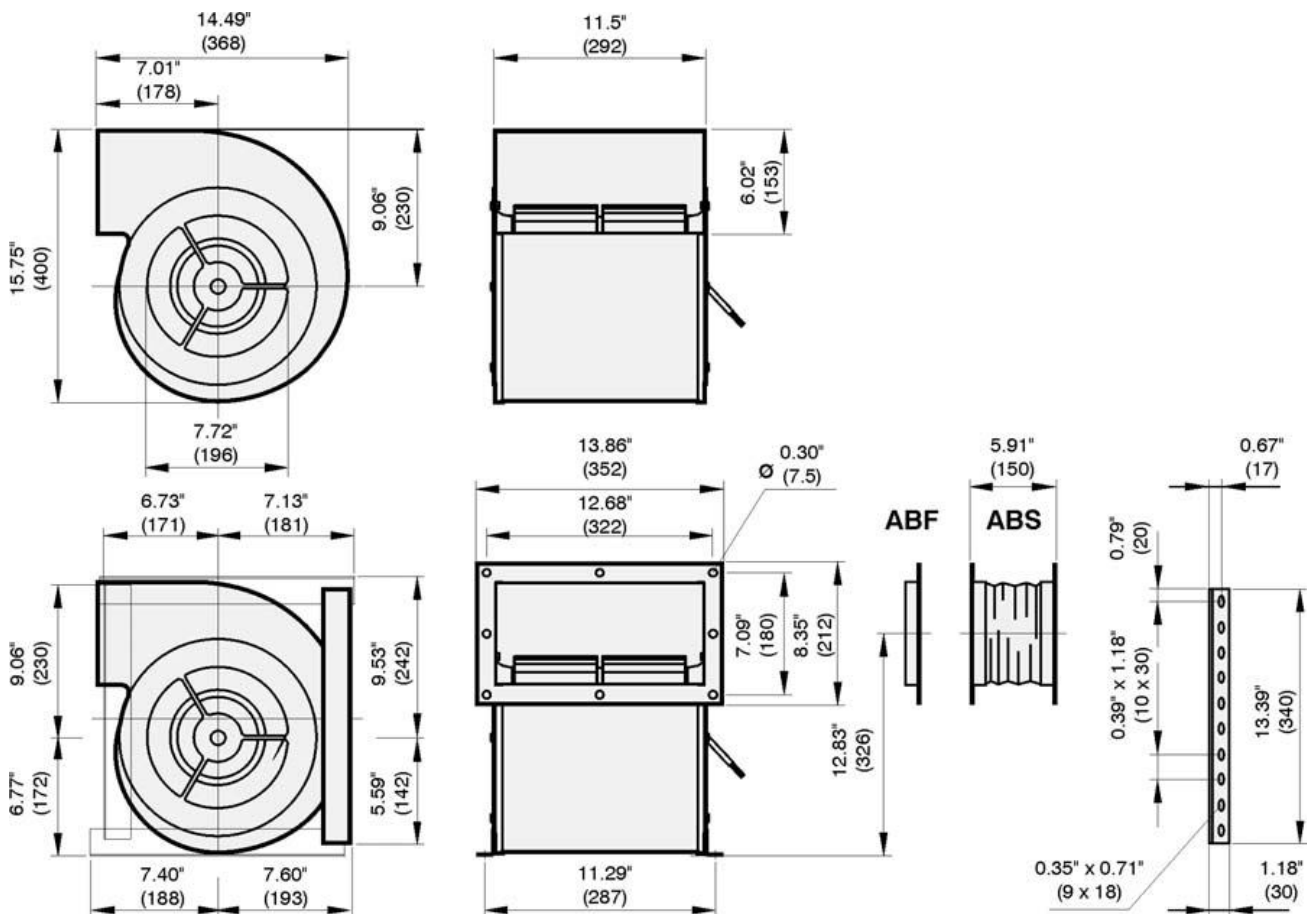




- Steep pressure-volume-performance curve
- compact and space saving design
- 100% speed controllable through auto transformers
- Motor protection through thermal contacts as standard

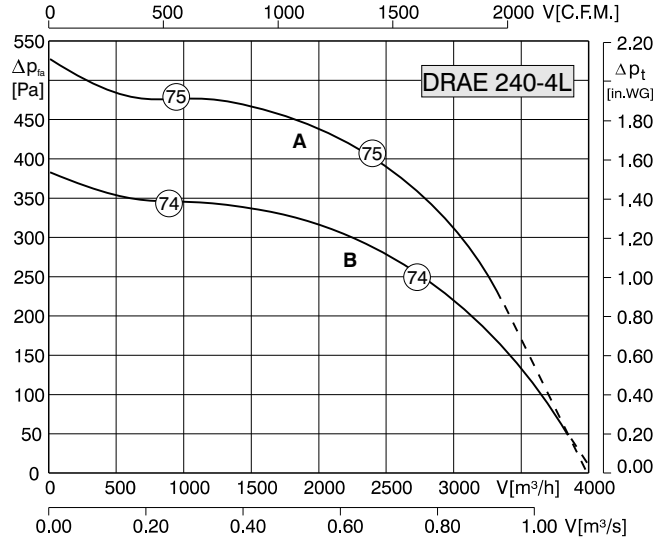


Type	U [Volt]	f [Hz]	Curve	P _i [kW]	I _N [A]	n [min ⁻¹]	t _R [°F]	t _R [°C]	C [μF]	ΔI [%]	I _A /I _N	▲	★	■ [kg]
DRAE 240-4	1~120	60	A	0.64	5.50	1175	122	50	30	-	1.4	54	01.025	15
DRAE 240-4	1~230	60	A	0.64	2.75	1175	122	50	8	-	1.4	54	01.025	15
DRAE 240-4	1~230	50	B	0.59	2.60	1045	122	50	8	-	1.6	54	01.025	15

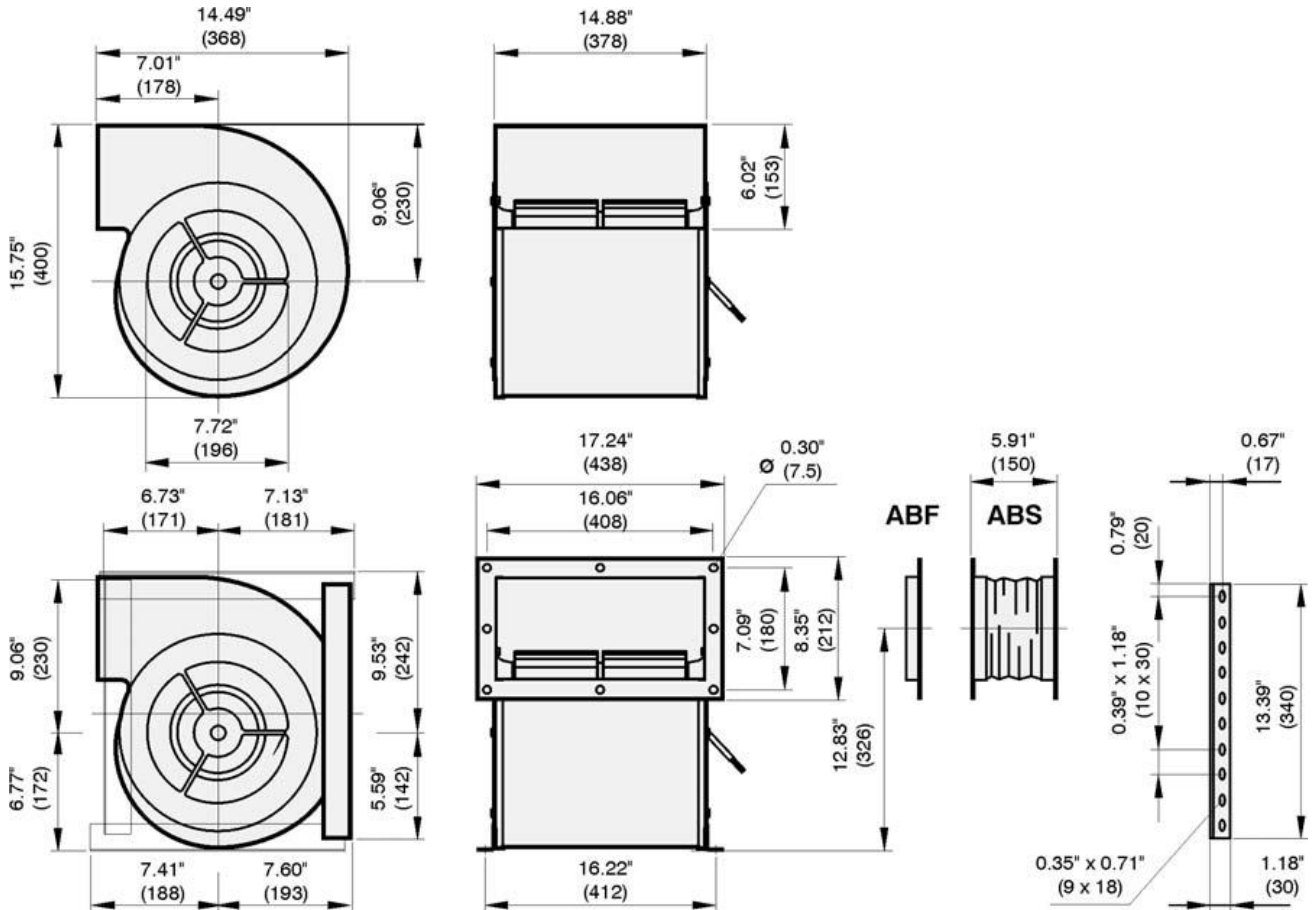




- Steep pressure-volume-performance curve
- compact and space saving design
- 100% speed controllable through auto transformers
- Motor protection through thermal contacts as standard

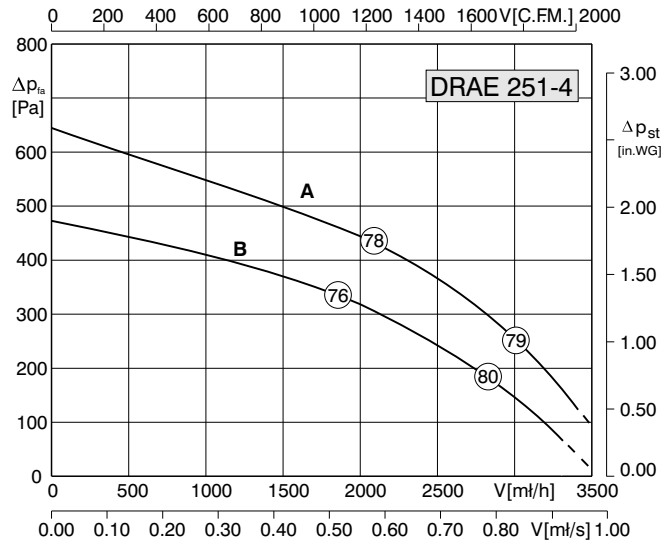


Type	U [Volt]	f [Hz]	Curve	P _i [kW]	I _N [A]	n [min ⁻¹]	t _r [°F]	t _r [°C]	C [μF]	ΔI [%]	I _A /I _N	▲	★	█ [kg]
DRAE 240-4L	1~120	60	A	1.15	10.0	1320	122	50	50	-	1.6	54	01.025	21
DRAE 240-4L	1~230	60	A	1.15	5.00	1320	122	50	14	-	1.6	54	01.025	21
DRAE 240-4L	1~230	50	B	1.05	4.75	1120	122	50	14	5.0	1.8	54	01.025	21

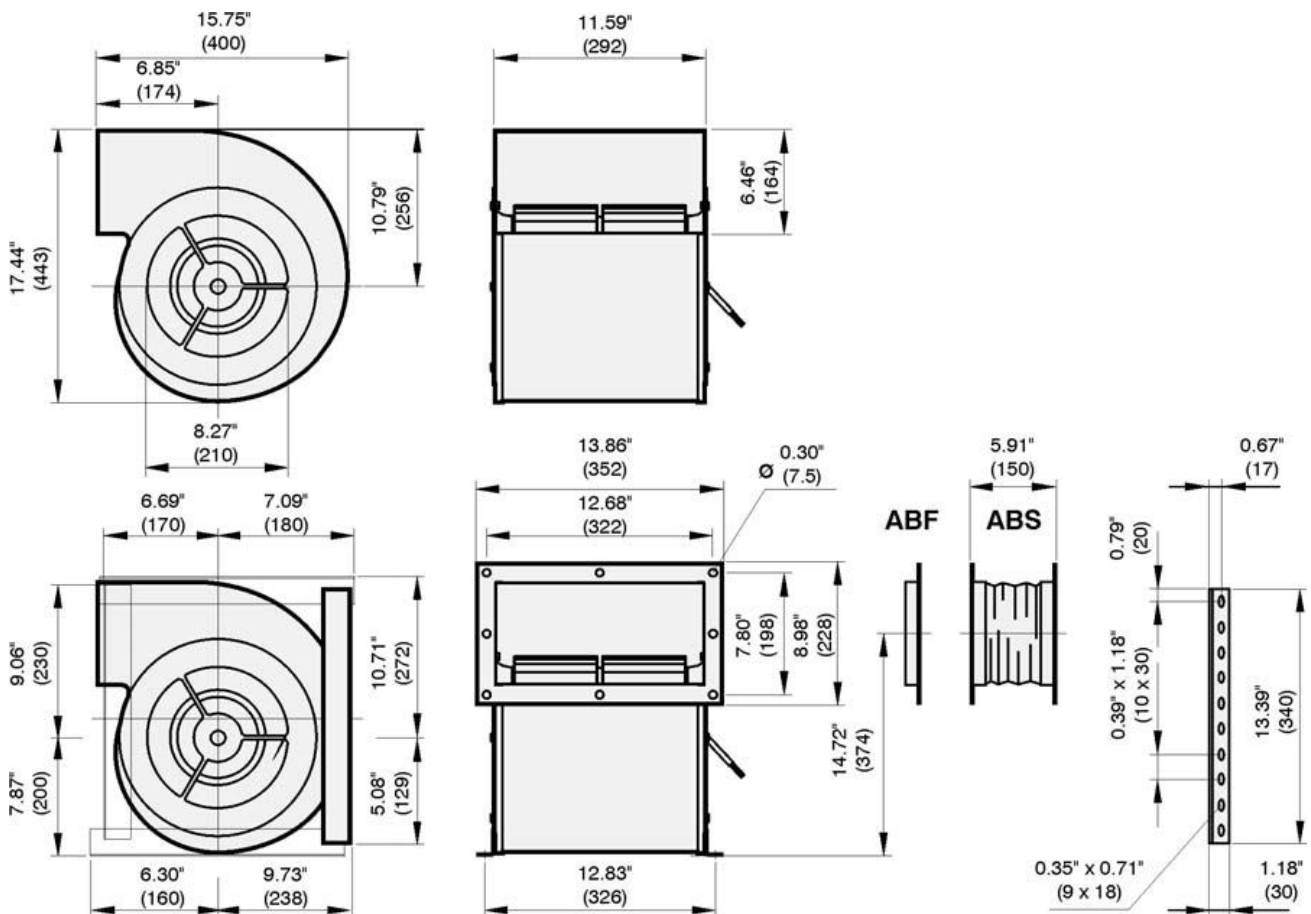




- Steep pressure-volume-performance curve
- compact and space saving design
- 100% speed controllable through auto transformers
- Motor protection through thermal contacts as standard

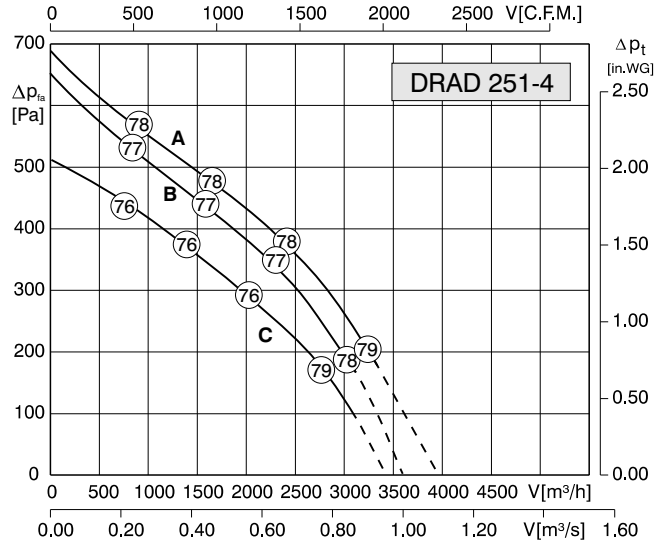


Type	U [Volt]	f [Hz]	Curve	P _i [kW]	I _N [A]	n [min ⁻¹]	t _R [°F]	t _R [°C]	C [μF]	ΔI [%]	I _A /I _N	▲	★	■ [kg]
DRAE 251-4	1~120	60	A	1.15	10.0	1270	140	60	60	-	1.4	54	01.025	21
DRAE 251-4	1~230	60	A	1.15	5.00	1270	140	60	14	-	1.4	54	01.025	21
DRAE 251-4	1~230	50	B	0.96	4.30	1170	140	60	14	5	1.8	54	01.025	21

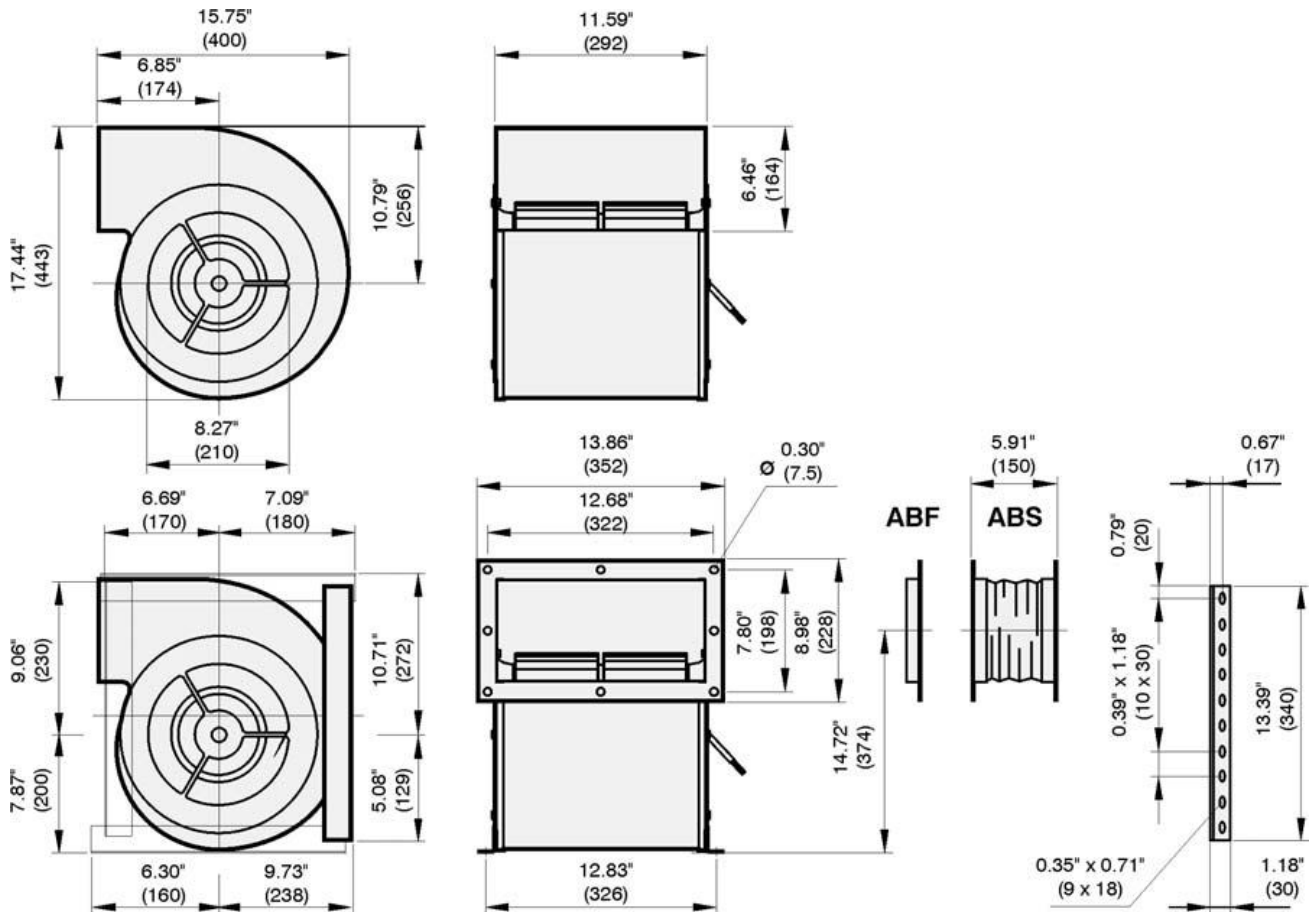




- Steep pressure-volume-performance curve
- compact and space saving design
- 100% speed controllable through auto transformers
- Motor protection through thermal contacts as standard

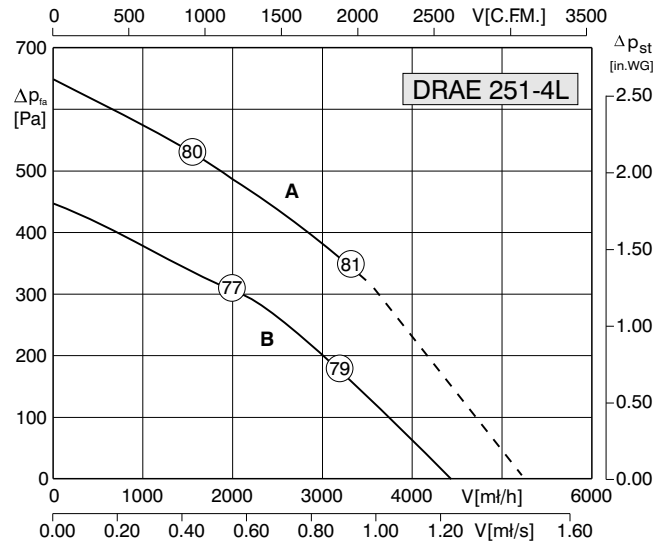


Type	U [Volt]	f [Hz]	Curve	P _i [kW]	I _N [A]	n [min ⁻¹]	t _r [°F]	t _r [°C]	C [μF]	ΔI [%]	I _A /I _N	▲	★	■ [kg]
DRAD 251-4	3~460Y	60	A	1.10	1.70	1350	120	50	-	-	2.9	54	01.005	20
DRAD 251-4	3~230Δ	60	B	0.95	2.80	1260	120	50	-	-	2.9	54	01.006	20
DRAD 251-4	3~400Y	50	C	0.85	1.55	1150	149	65	-	-	2.4	54	01.005	20

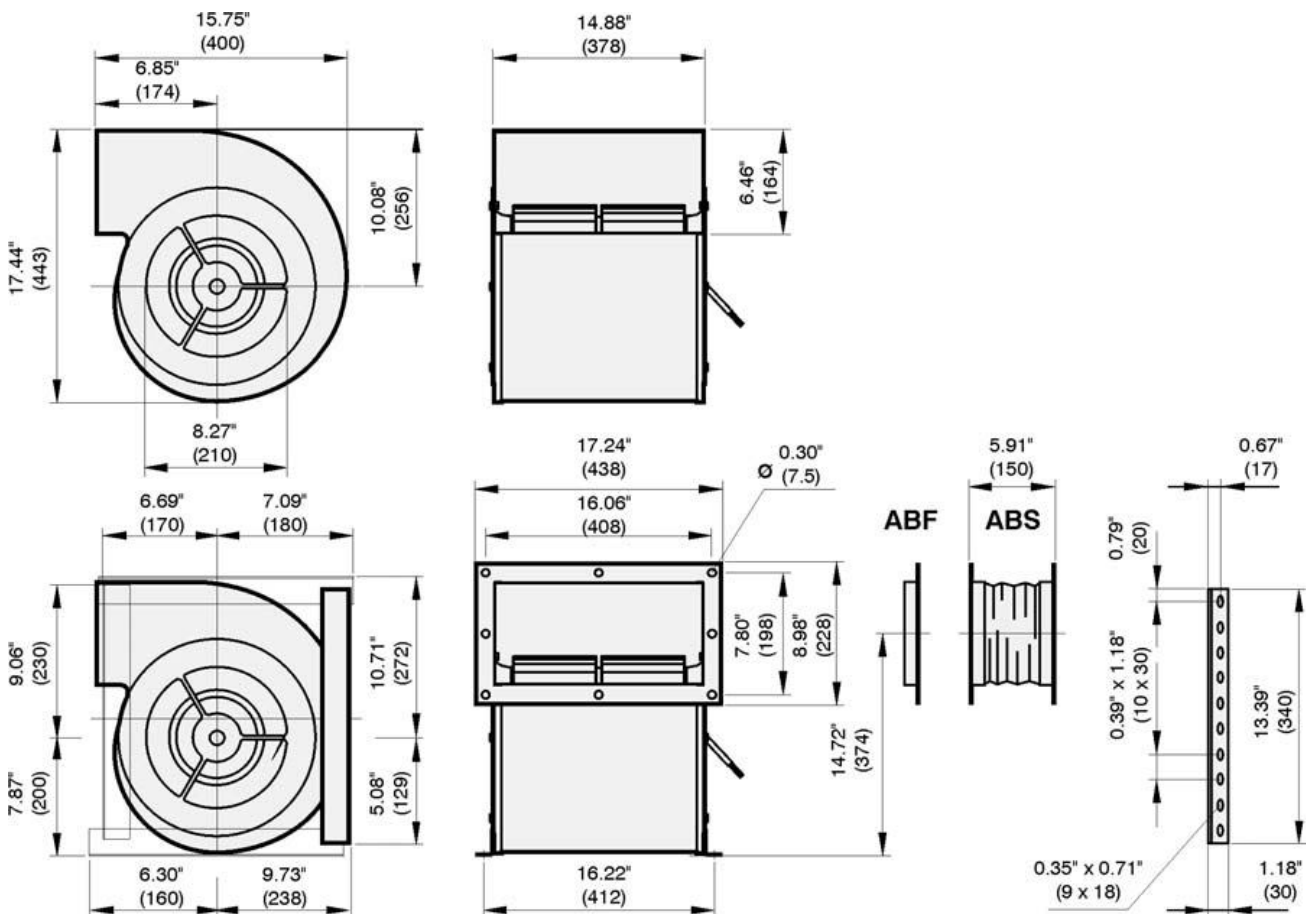




- Steep pressure-volume-performance curve
- compact and space saving design
- 100% speed controllable through auto transformers
- Motor protection through thermal contacts as standard

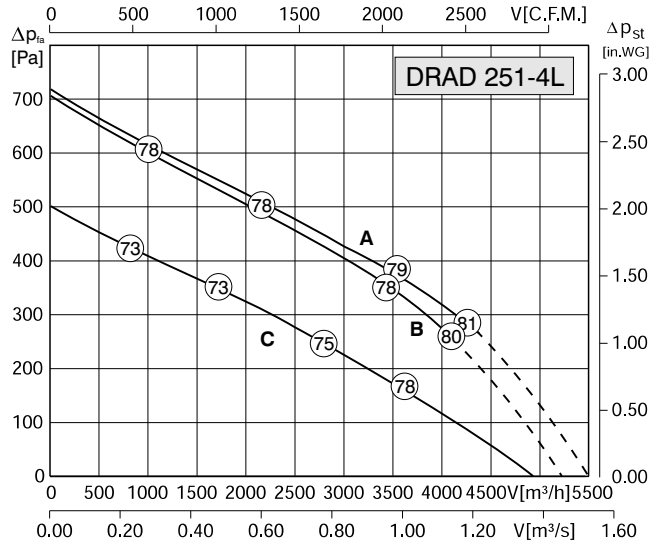


Type	U [Volt]	f [Hz]	Curve	P _i [kW]	I _N [A]	n [min ⁻¹]	t _r [°F]	t _r [°C]	C [μF]	ΔI [%]	I _A /I _N	▲	✳	■ [kg]
DRAE 251-4L	1~120	60	A	1.50	13.0	1430	122	50	80	17	1.9	54	01.025	26
DRAE 251-4L	1~230	60	A	1.50	6.50	1430	122	50	20	17	1.9	54	01.025	26
DRAE 251-4L	1~230	50	B	1.35	6.00	1240	131	55	20	5	1.5	54	01.025	26

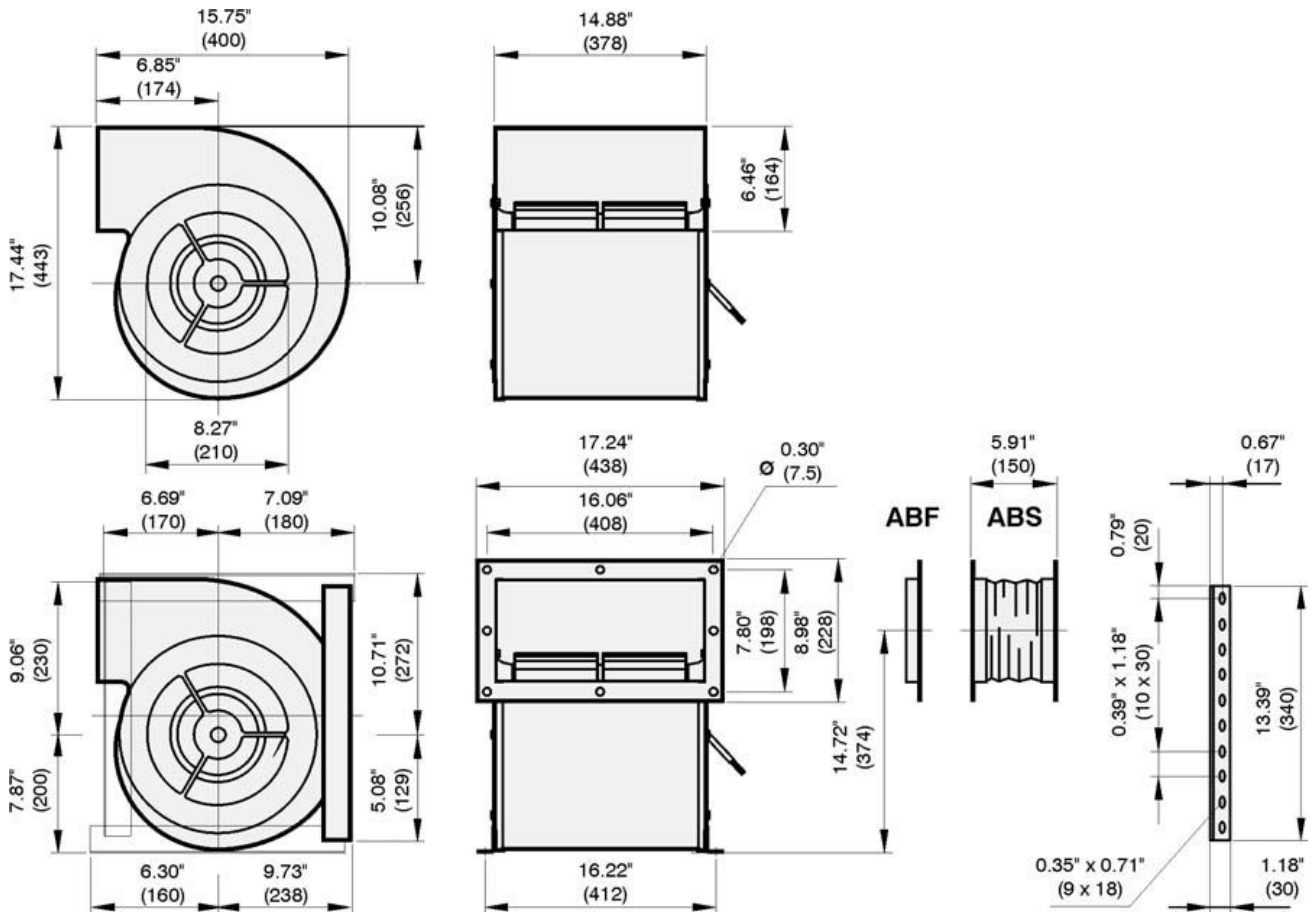




- Steep pressure-volume-performance curve
- compact and space saving design
- 100% speed controllable through auto transformers
- Motor protection through thermal contacts as standard

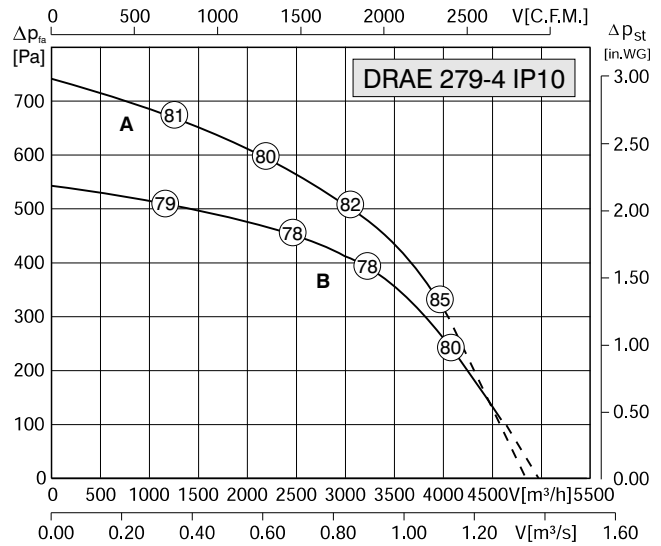


Type	U [Volt]	f [Hz]	Curve	P _i [kW]	I _N [A]	n [min ⁻¹]	t _r [°F]	t _r [°C]	C [μF]	ΔI [%]	I _A /I _N	▲	★	█
DRAD 251-4 L	3~460Y	60	A	1.50	2.60	1550	120	50	-	-	3.7	54	01.005	24
DRAD 251-4 L	3~230Δ	60	B	1.40	4.20	1490	120	50	-	-	3.7	54	01.006	24
DRAD 251-4 L	3~400Y	50	C	1.10	2.50	1300	120	50	-	-	3.5	54	01.005	24

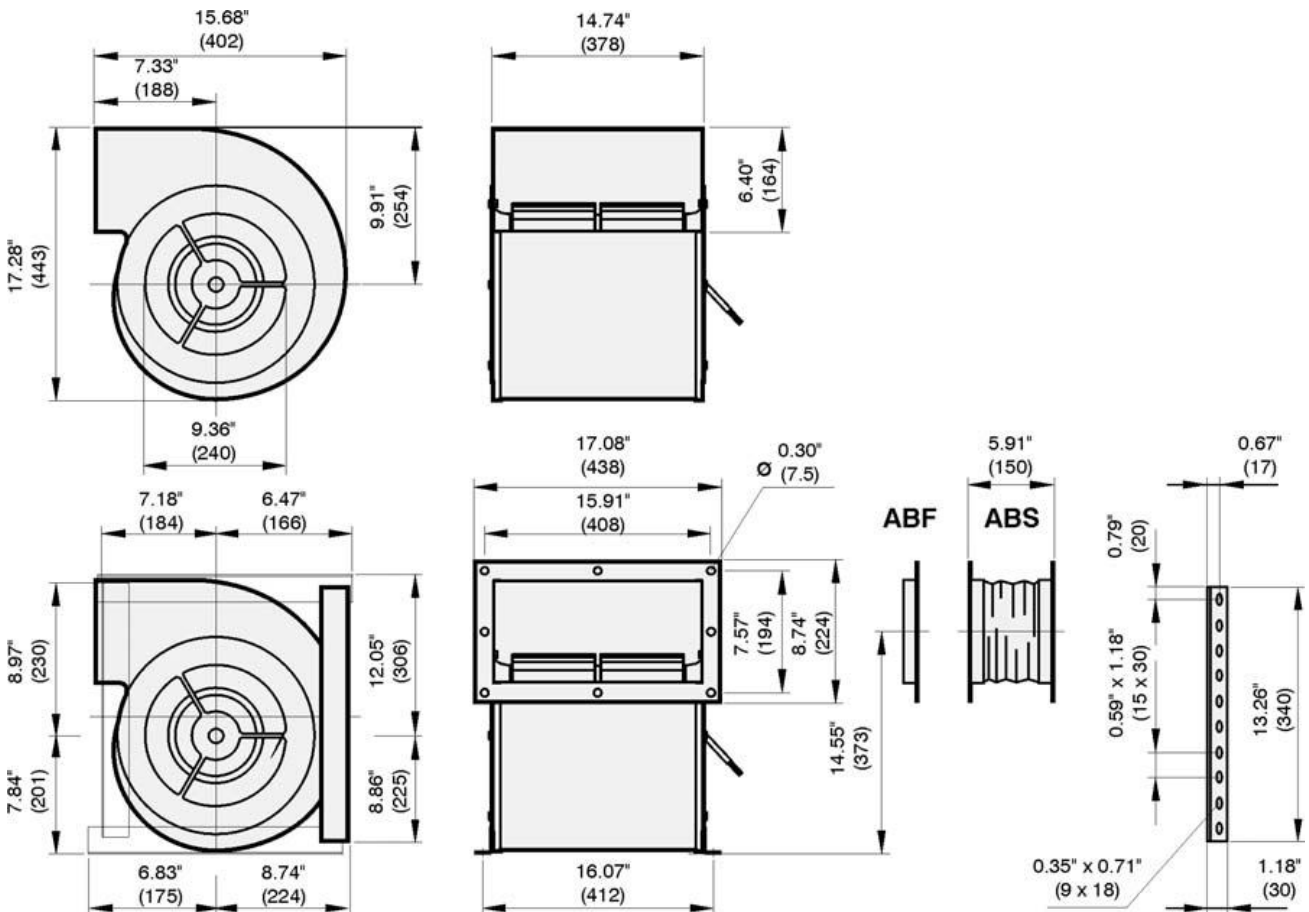




- Steep pressure-volume-performance curve
- compact and space saving design
- 100% speed controllable through auto transformers
- Motor protection through thermal contacts as standard

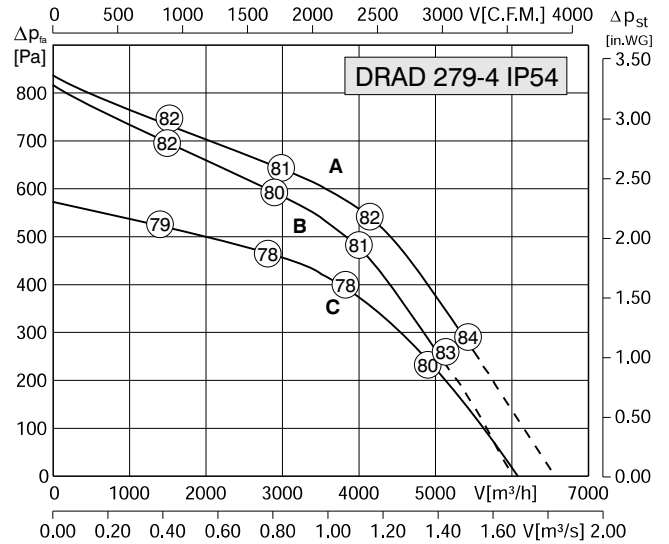


Type	U [Volt]	f [Hz]	Curve	P _i [kW]	I _N [A]	n [min ⁻¹]	t _r [°F]	t _r [°C]	C [μF]	ΔI [%]	I _A /I _N	⚠	✳	⚖ [kg]
DRAE 279-4 IP10	1~120	60	A	1.70	14.8	1235	120	50	100	-	1.5	10	01.025	27
DRAE 279-4 IP10	1~230	60	B	1.70	7.40	1235	120	50	25	-	1.5	10	01.025	27
DRAE 279-4 IP10	1~230	50	C	1.65	7.30	1050	120	50	25	-	1.5	10	01.025	27

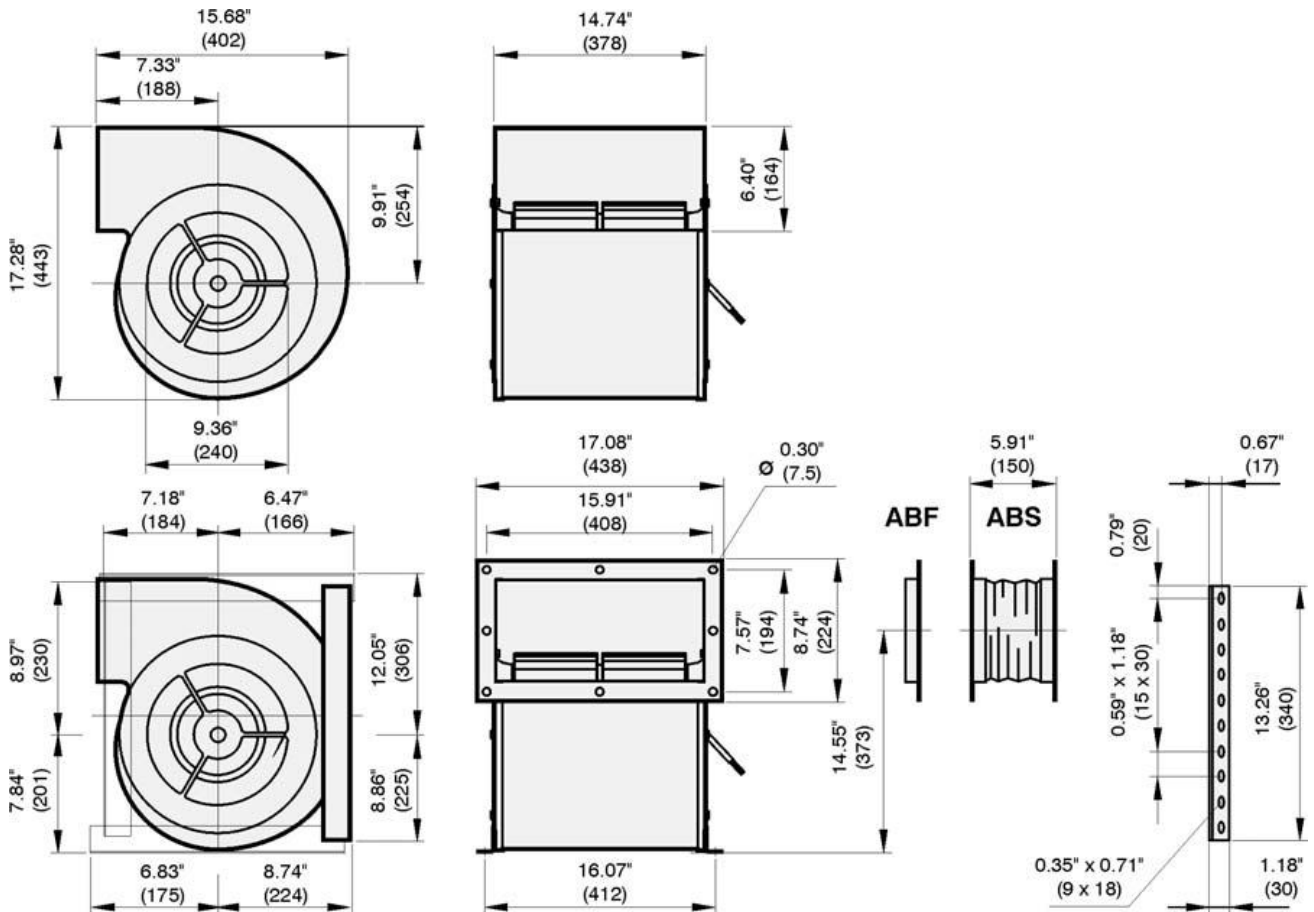




- Steep pressure-volume-performance curve
- compact and space saving design
- 100% speed controllable through auto transformers
- Motor protection through thermal contacts as standard

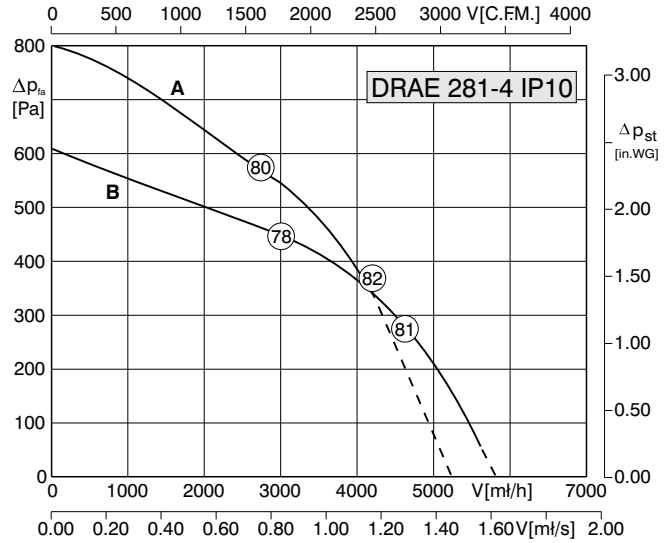


Type	U [Volt]	f [Hz]	Curve	P _i [kW]	I _N [A]	n [min ⁻¹]	t _r [°F]	t _r [°C]	C [μF]	ΔI [%]	I _A /I _N	▲	★	■ [kg]
DRAD 279-4 IP54	3~460Y	60	A	2.20	3.60	1400	104	40	-	-	2.9	54	01.005	27
DRAD 279-4 IP54	3~230 Δ	60	B	2.00	6.20	1300	104	40	-	-	2.9	54	01.006	27
DRAD 279-4 IP54	3~400D	50	C	1.80	3.40	1170	120	50	-	-	2.7	54	01.005	27

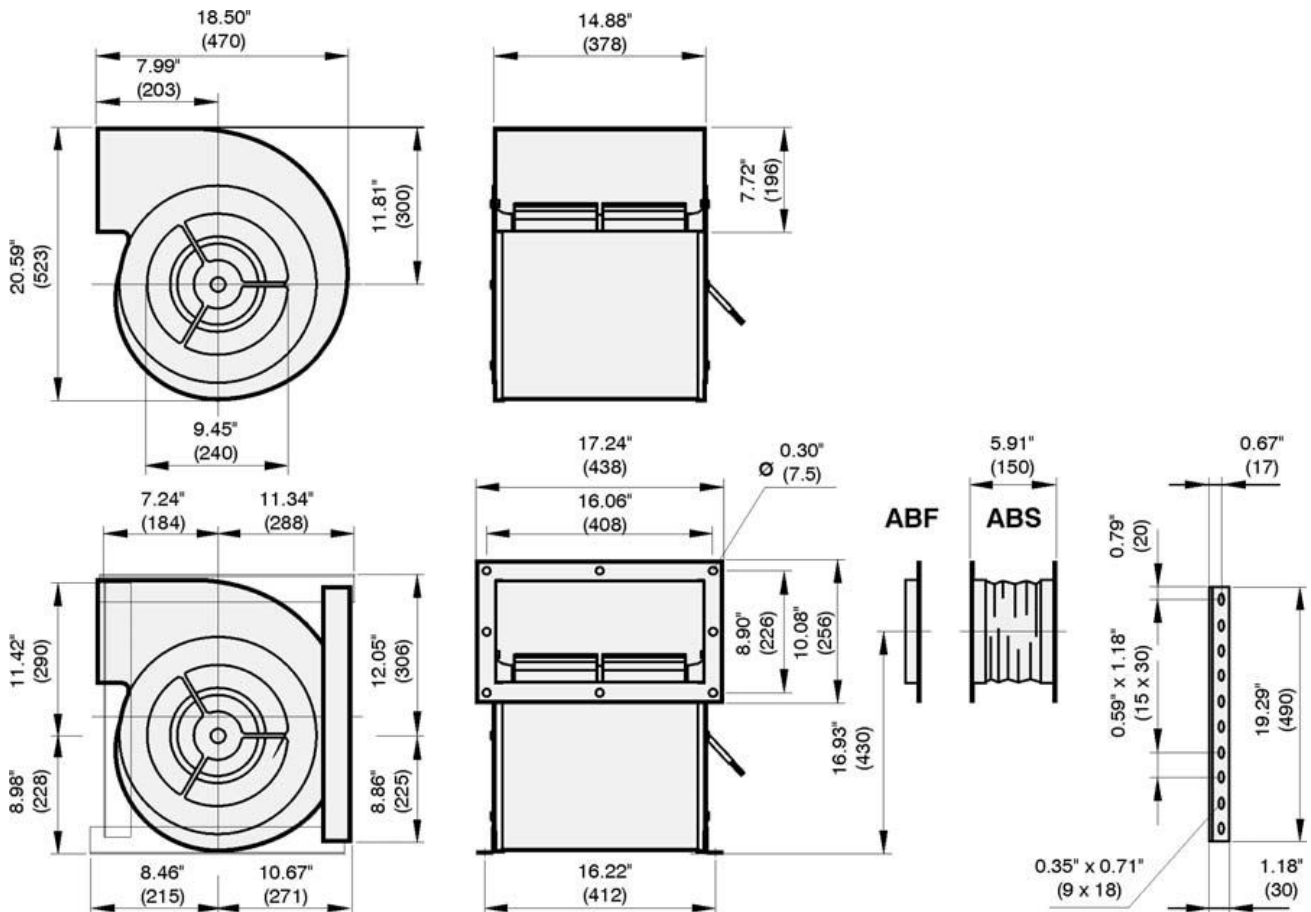




- Steep pressure-volume-performance curve
- compact and space saving design
- 100% speed controllable through auto transformers
- Motor protection through thermal contacts as standard

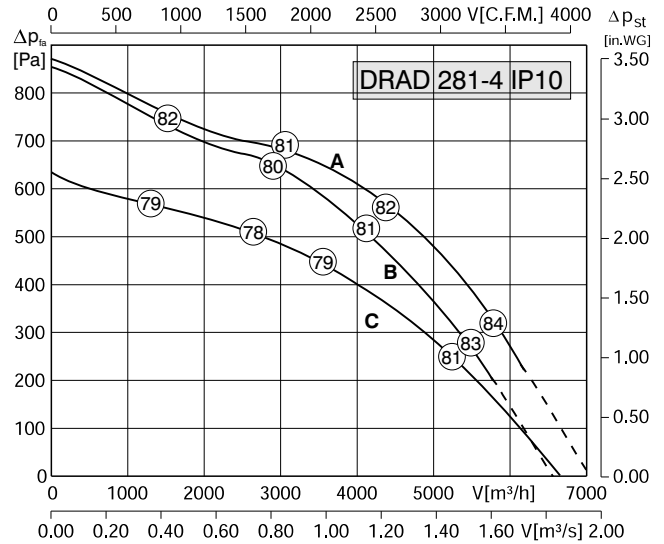


Type	U [Volt]	f [Hz]	Curve	P _i [kW]	I _N [A]	n [min ⁻¹]	t _R [°F]	t _R [°C]	C [μF]	ΔI [%]	I _A /I _N	⚠	⊛	Ⓜ [kg]
DRAE 281-4 IP10	1~120	60	A	1.70	14.8	1230	122	50	100	-	1.5	10	01.025	30
DRAE 281-4 IP10	1~230	60	A	1.70	7.40	1230	122	50	25	-	1.5	10	01.025	30
DRAE 281-4L IP10	1~230	50	B	1.70	7.40	1010	122	50	25	-	1.5	54	01.025	30

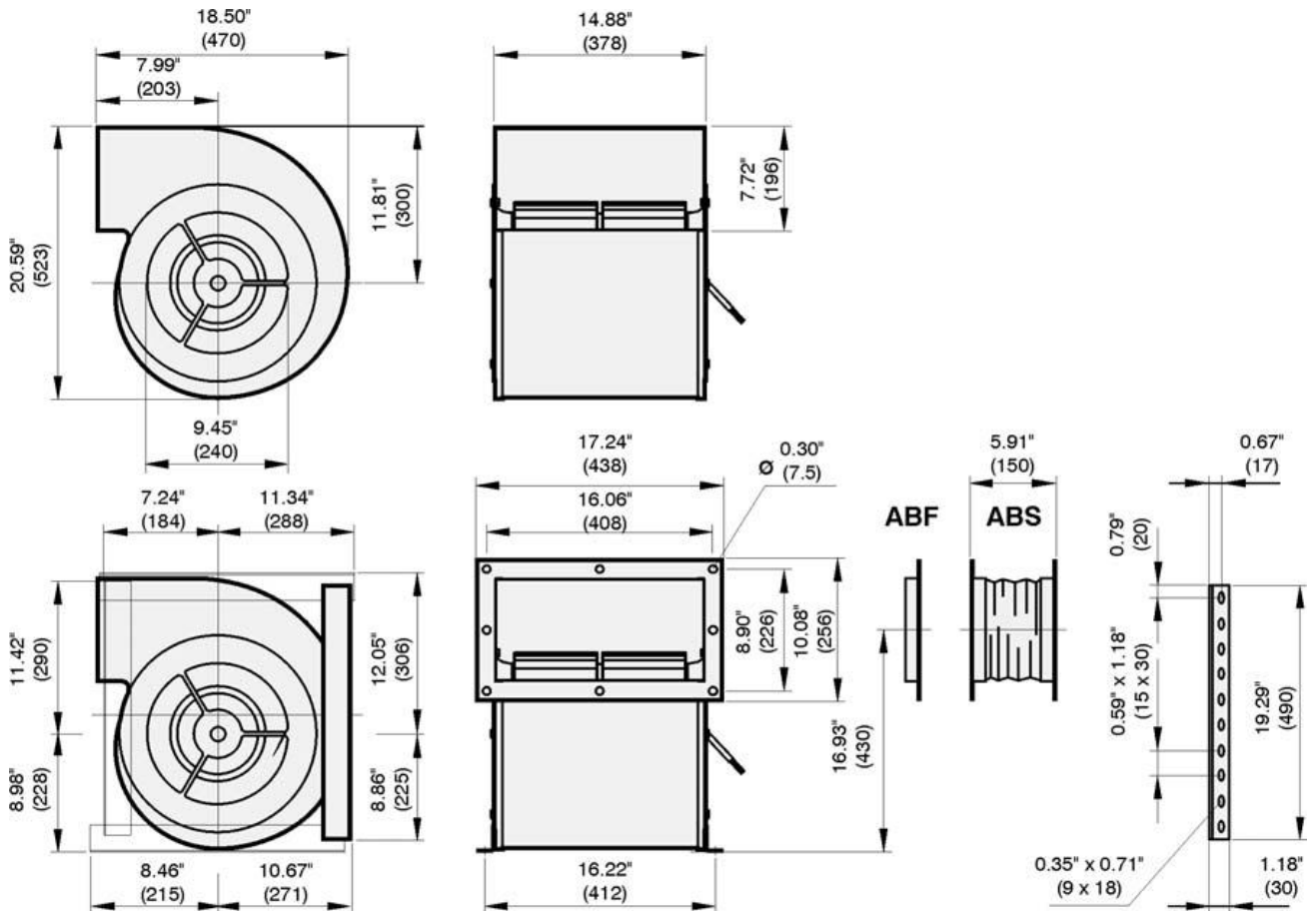




- Steep pressure-volume-performance curve
- compact and space saving design
- 100% speed controllable through auto transformers
- Motor protection through thermal contacts as standard

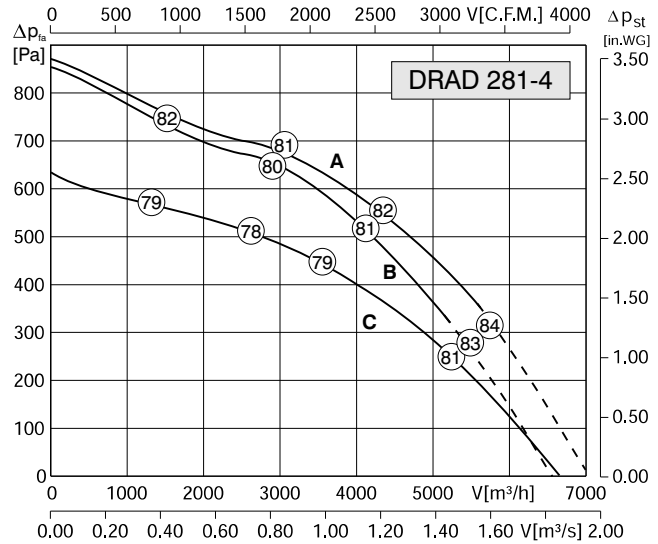


Type	U [Volt]	f [Hz]	Curve	P _i [kW]	I _N [A]	n [min ⁻¹]	t _r [°F]	t _r [°C]	C [μF]	ΔI [%]	I _A /I _N	▲	★	█ [kg]
DRAD 281-4 IP10	3~460Y	60	A	2.50	3.90	1340	120	50	-	-	2.5	10	01.005	32
DRAD 281-4 IP10	3~230Δ	60	B	2.20	6.40	1250	120	50	-	-	2.5	10	01.006	32
DRAD 281-4 IP10	3~400D	50	C	1.90	3.60	1140	130	55	-	-	3.4	10	01.005	32

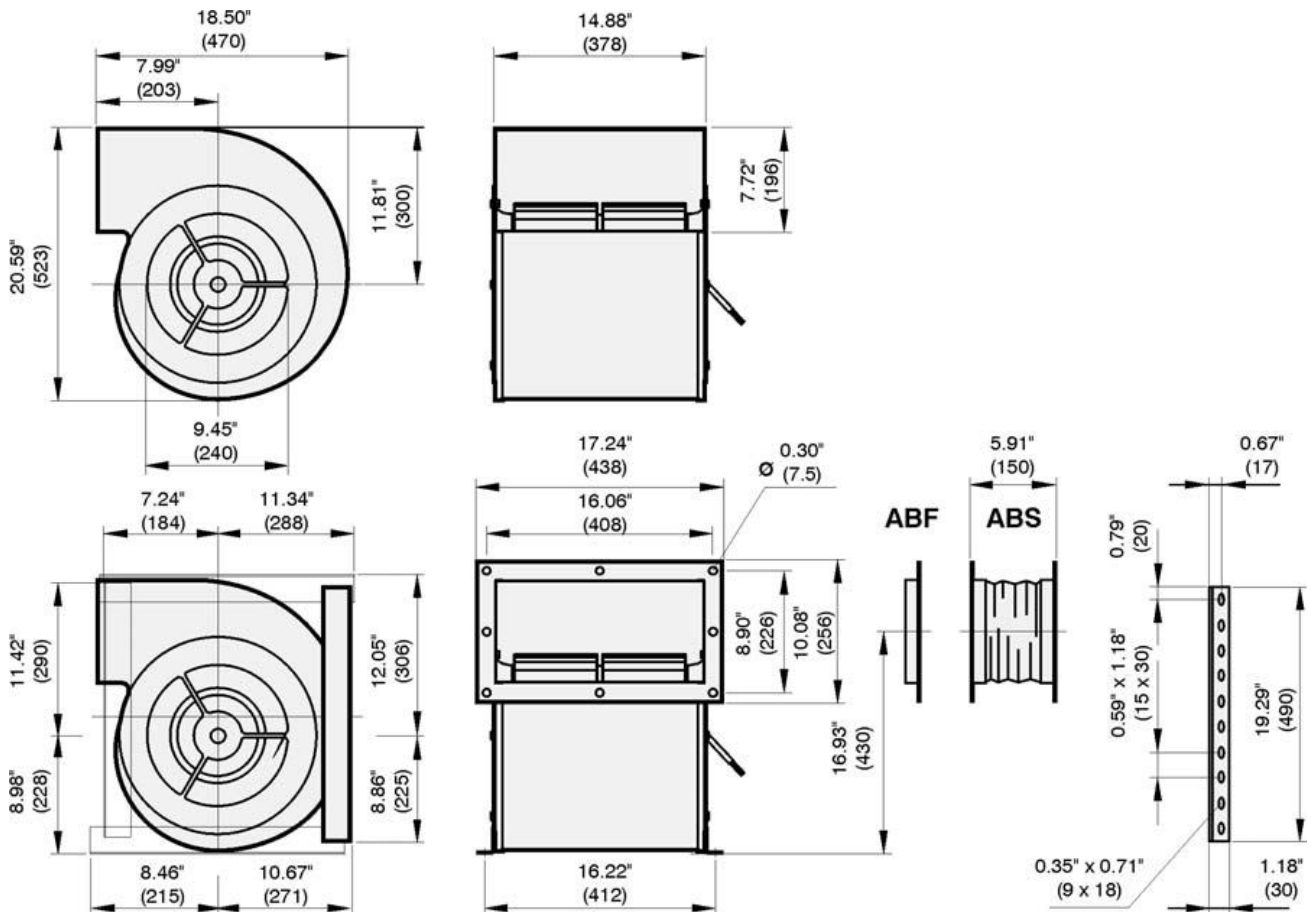




- Steep pressure-volume-performance curve
- compact and space saving design
- 100% speed controllable through auto transformers
- Motor protection through thermal contacts as standard

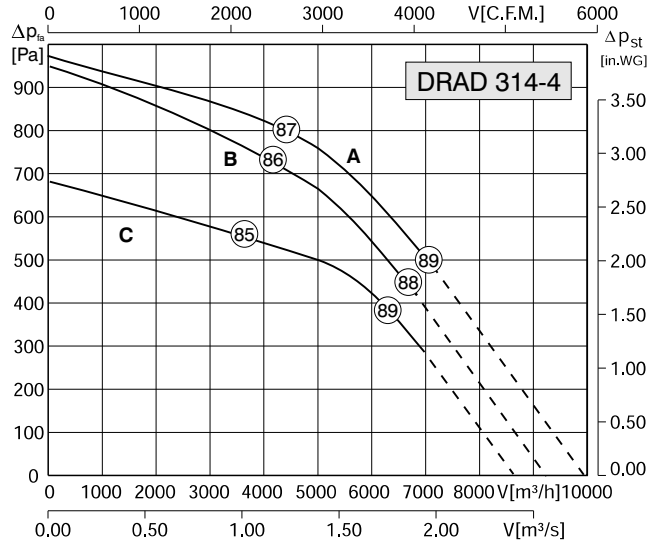


Type	U [Volt]	f [Hz]	Curve	P _i [kW]	I _N [A]	n [min ⁻¹]	t _R [°F]	t _R [°C]	C [μF]	ΔI [%]	I _A /I _N	▲	★	■ [kg]
DRAD 281-4	3~460Y	60	A	2.20	3.60	1400	104	40	-	-	2.9	54	01.005	32
DRAD 281-4	3~230Δ	60	B	2.00	5.90	1310	104	40	-	-	2.9	54	01.006	32
DRAD 281-4	3~400D	50	C	1.90	3.60	1140	104	40	-	-	2.7	54	01.006	32

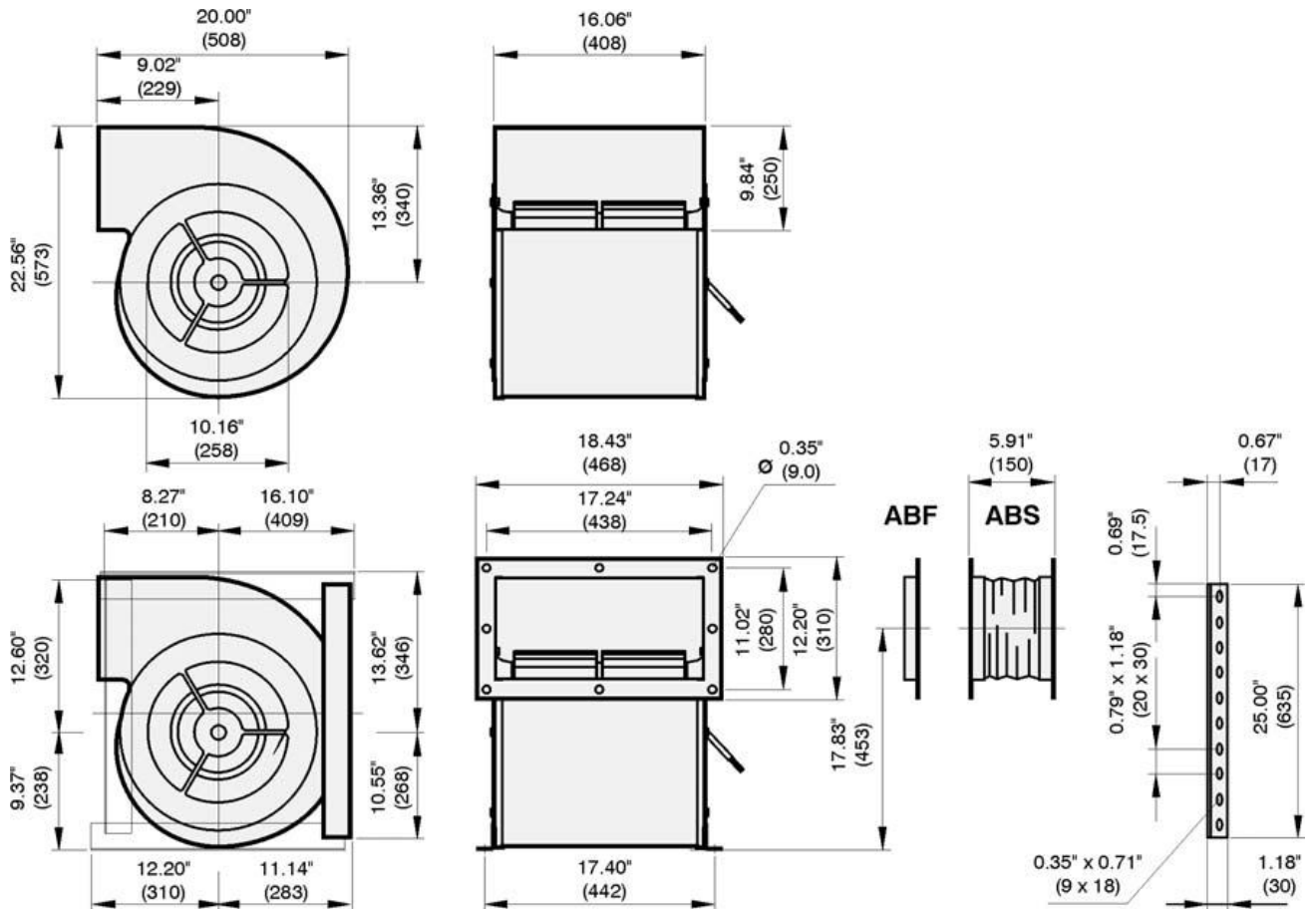




- Steep pressure-volume-performance curve
- compact and space saving design
- 100% speed controllable through auto transformers
- Motor protection through thermal contacts as standard

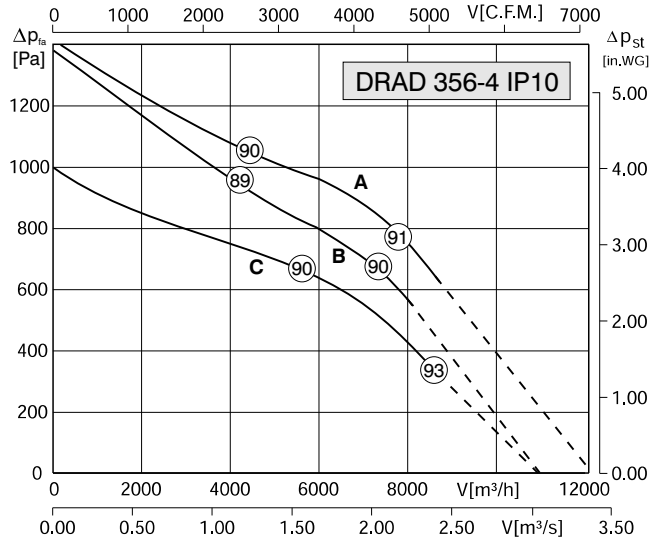


Type	U [Volt]	f [Hz]	Curve	P _i [kW]	I _N [A]	n [min ⁻¹]	t _r [°F]	t _r [°C]	C [μF]	ΔI [%]	I _A /I _N	▲	★	█ [kg]
DRAD 314-4	3~460Y	60	A	4.10	5.60	1470	120	50	-	7	3.2	54	01.005	47
DRAD 314-4	3~230Δ	60	B	3.70	10.0	1390	120	50	-	5	3.2	54	01.006	47
DRAD 314-4	3~400Y	50	C	3.00	4.9	1160	104	40	-	2	2.6	54	01.006	47

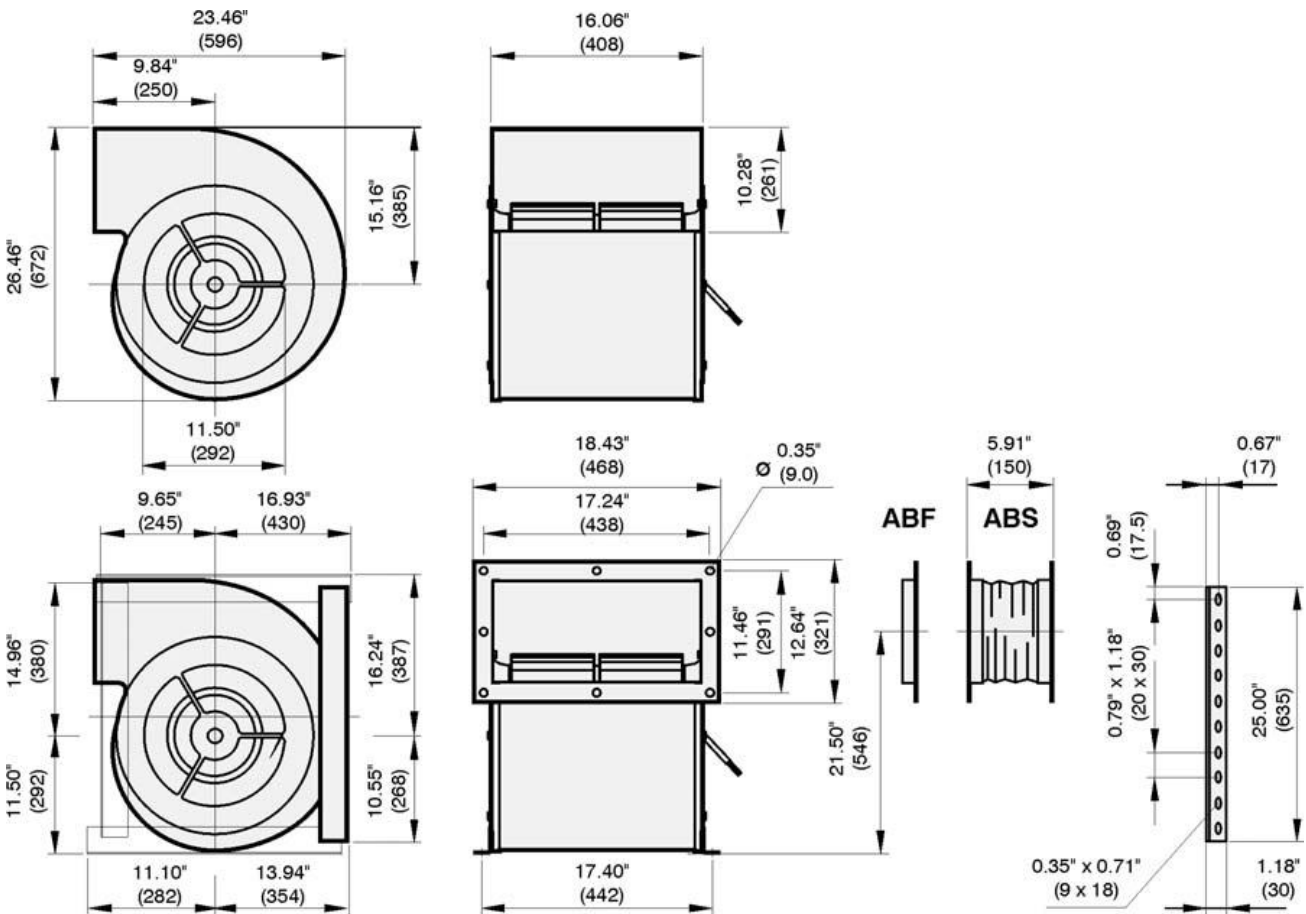




- Steep pressure-volume-performance curve
- compact and space saving design
- 100% speed controllable through auto transformers
- Motor protection through thermal contacts as standard

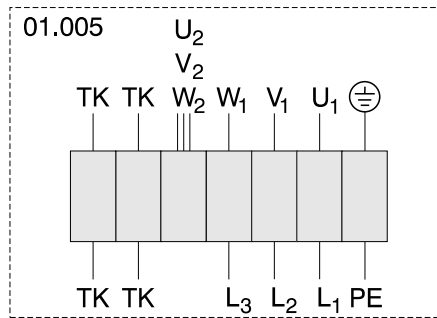


Type	U [Volt]	f [Hz]	Curve	P _i [kW]	I _n [A]	n [min ⁻¹]	t _R [°F]	t _R [°C]	C [μF]	ΔI [%]	I _A /I _N	▲	★	█ [kg]
DRAD 356-4 IP10	3~460Y	60	A	5.80	8.10	1410	120	50	-	2	2.4	10	01.005	71
DRAD 356-4 IP10	3~230Δ	60	B	5.10	14.0	1330	120	50	-	2	2.4	10	01.006	71
DRAD 356-4 IP10	3~400Y	50	C	5.30	8.40	1140	120	50	-	-	2.6	10	01.006	71



No. 01.005

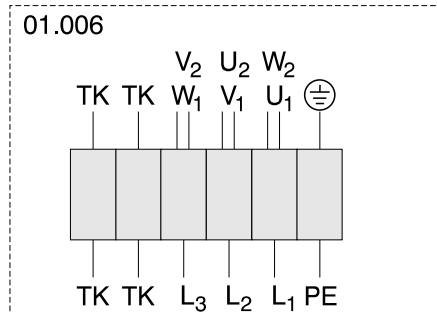
Three phase motor in Y connection with thermostatic switch. Changing of rotation direction by interchanging of 2 phases.



- U₁ brown
- V₁ blue
- W₁ black
- U₂ red
- V₂ grey
- W₂ orange
- TB white
- PE yellow-green

No. 01.006

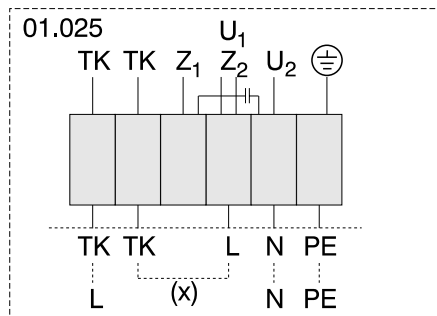
Three phase motor in delta connection with thermostatic switch. Changing of rotation direction by interchanging of 2 phases.



- U₁ brown
- V₁ blue
- W₁ black
- U₂ red
- V₂ grey
- W₂ orange
- TB white
- PE yellow-green

No. 01.025 anti-clockwise

Single phase A.C. motor with operating capacitor and thermostatic switch. Thermostatic switch wired in series with windings, if RE controllers are used. Insert bridge (x) and wire connections shown as dash-line on the drawing.



- U₁ brown
- U₂ blue
- Z₁ black
- Z₂ orange
- TB white
- PE yellow-green

